

## Stepping Motors

# M35SP-9, -10N

### OUTLINE

“M35SP-9” is the standard model in  $\phi 35$  series.  
“M35SP-10N” is a different model from  
“M35SP-9” in subdivided step angle.  
Choose the model to match your product.



### FEATURES

1. Compact size and high-output torque.
2. Superior running quietness and stability.

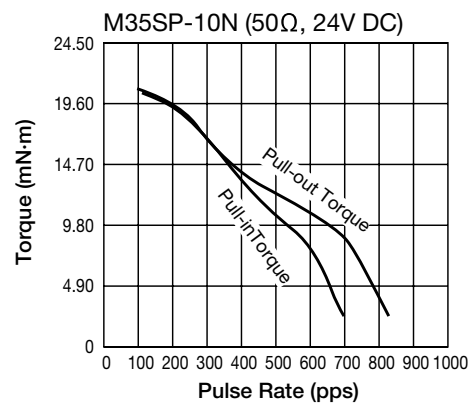
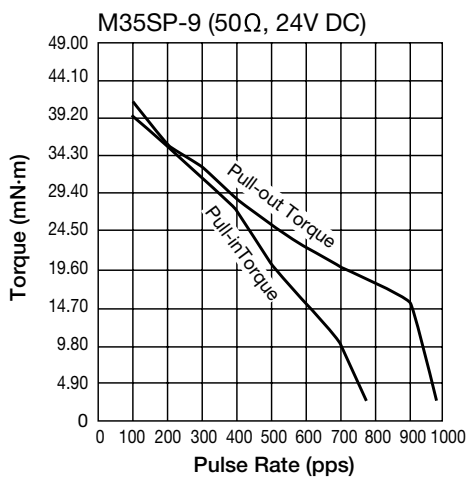
### USES

Printers, multifunction machines, copy machines, FAX, etc.

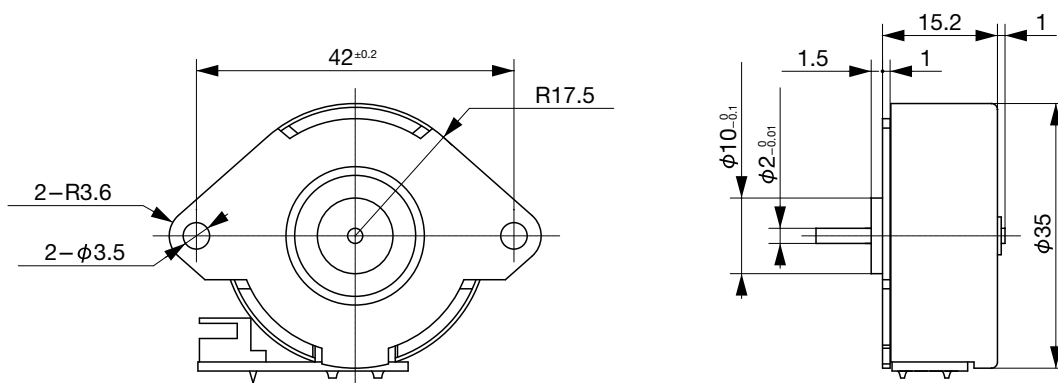
## SPECIFICATIONS

Item	M35SP-9	M35SP-10N
Rated Voltage	DC 24V	
Working Voltage	DC 21.6~26.4V	
Rated Current/Phase	517mA	
No. of Phase	4 Phase	
Coil DC Resistance	50Ω/phase±7%	
Step Angle	7.5°/step	3.75°/step
Excitation Method	2-2 Phase excitation (Unipolar driving)	
Insulation Class	Class E insulation	
Holding Torque	51.9mN·m	26.5mN·m
Pull-out Torque	35.8mN·m/200pps	13.7mN·m/400pps
Pull-in Torque	35.3mN·m/200pps	13.2mN·m/400pps
Max. Pull-out Pulse Rate	970pps	880pps
Max. Pull-in Pulse Rate	740pps	770pps

## CHARACTERISTICS



## DIMENSIONS



Unit : mm, General tolerance : ±0.5