

Product Information

HOW TO ORDER

Item	Specified	Specification for Appearance	Specification for Electric Characteristics
Standard Item/as described in catalog	Model name	As specified in Drawing in catalog	As specified in catalog
Items separately specified except standard ones	According to your request	Specification be made to your drawing after previous arrangement	Specification be made to your request and your characteristics

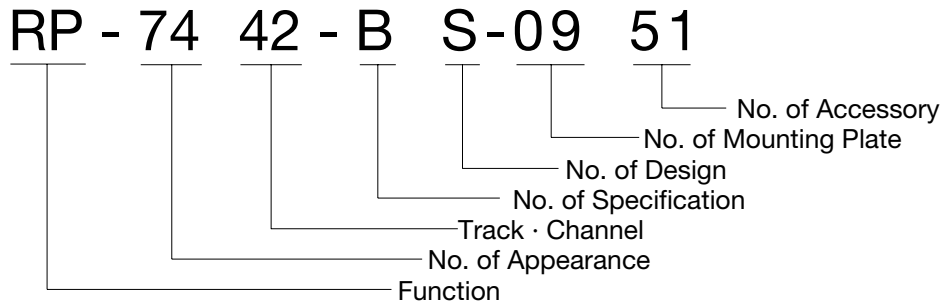
NOTICE

1. Appearance specifications and electric characteristics appearing in this catalog should be for reference only. Therefore, please request our standard specifications.
2. When ordering please refer to the "List of Magnetic Heads" and "Code Display Method".
3. When ordering products other than standard products appearing in this catalog, appropriate samples shall be presented after previous arrangement.
4. A part of specifications for those product appearing in this catalog are subject to change without previous notice for improvement.

Code Indication

Magnetic Heads (Audio Use) Code Indication

Example



- RP : Rec. & Play
- R : Rec.
- P : Play
- KC : Rotary Combination
- KP : Rotary Play
- AR : Azimuth Error (Rec. & Play)
- AP : Azimuth Error (Play)
- AK : AZTEC Rotary (Play)
- AC : AZTEC Rotary (Combination)
- E : Erase
- C : Combination
- RM : Rec. (Mini Disc)

Production Table of Magnetic Heads

The List of Magnetic Heads (Audio Use)

Function		Record- ing	Play- back	Era- sing	Models	Core Material	Remarks
Stereo (Auto reverse)	4TR-4CH		○		P-5544 D	Hard Permalloy	
			○		AP-5544 C	Hard Permalloy	Non-Azimuth Error II
	4TR-2CH		○		P-7742 B	Hi-B Hard Permalloy	Shift Reverse, Double Gutter