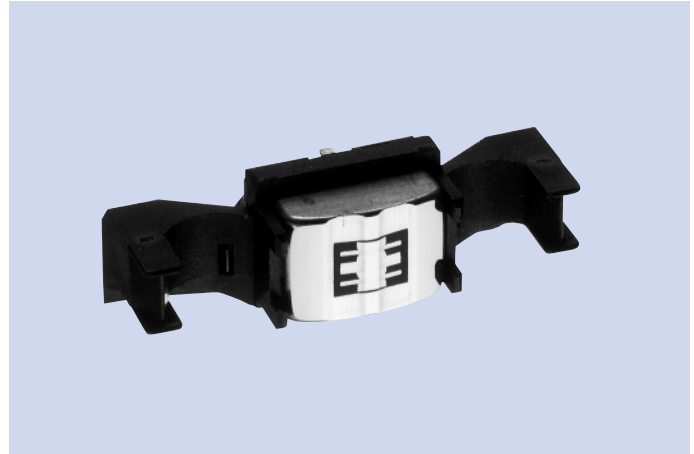


Stereo Magnetic Heads (Auto Reverse) AP-5544 C Series

FEATURES

1. AZTEC II heads developed for car stereo.
2. Stable phase characteristics and excellent high frequency characteristics.
3. No azimuth regulation required. One-touch mounting enabled.
4. It is a high-reliability head with the tape sliding resin section removed by means of gutter and capable of coping with surface staining, tape sticking, tape whining and so forth.
5. The internal structure of the head has been newly designed based on the conventional P-5044 model, and also, the reliability to the environmental conditions has been improved to a large extent.
6. Protection from externally induced noise has been improved (6 to 8 dB better than previously).



USES

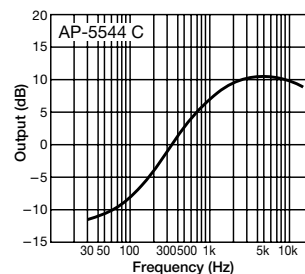
1. Optimally suited to automotive stereo.

STANDARD MODEL

AP-5544-BC *FPC · Tape guide holder is custom-made .

CHARACTERISTICS

■ Playback Frequency Characteristics



Tape speed:4.76cm/S
 Test tape:TEAC MTT-256 (3180μs+120μs)
 0dB=-76.0dBv (DIN Ref.Level -4dB)

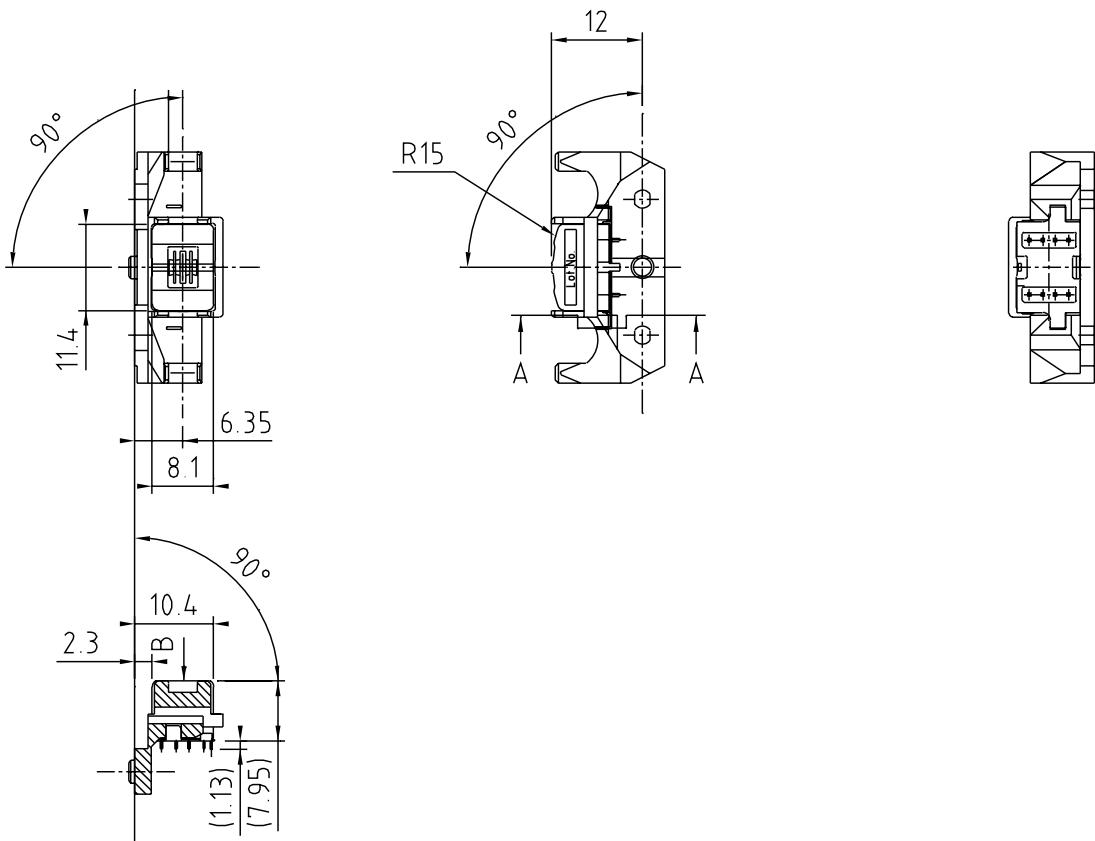
SPECIFICATIONS

Item	Specifications			Unit	Remarks	
	AC	BC	CC			
Type	Control freq.	8	10	12.5	kHz	
D. C. Resistance		250±20%			Ω	DC 20°C
Impedance	1kHz	1000±30%			Ω	100μA
Induction Noise		-50 max.			dBv	3kHz, 1 Oe
Test Tape	Playback	TEAC MTT-256				3180μs+120μs
Playback	315Hz	-76±2dB			dBv	DIN Ref. level -4dB
	8k/315Hz	10±3			dB	
	10k/315Hz		10±3		dB	
	12.5k/315Hz			9.5±3	dB	
Playback Separation	1kHz	40 min.			dB	TEAC MTT-141N
Playback Crosstalk	1kHz	50 min.			dB	TEAC MTT-121N
Tape Speed		4.76cm/S · 1 7/8 I. P. S.				

■ 1V=0dBv

■ Specifications may be changed for the purpose of improvement and upgrading.

DIMENSIONS



Unit : mm