

Interface Connectors for Mobile Phone KB-H03

FEATURES

1. This plug is an adaptor commonly used in mobile phones (cdmaOne).
2. This is a small plug and is sold separately.
3. Convex mark is inscribed at the opposite side of the plug lock lever claw. (This mark is provided for a visually handicapped person.)



HOW TO ORDER

1. **H03-004-**

1 2 3

(Plug and cable assembly)

1. Series No. (H03)
2. No. of contacts (004 : 4pins)
3. Running No. assigned by us

2. Parts sold separately.

1. Plug-Housing Ass'y (4 pins, and common key type)
KB-H03-8874A
2. Top Case
H03 Top Case
ZM-H03-8746A
3. Bottom Case
H03 Bottom Case
ZM-H02-8747A
4. Tapping screw
ZK-E15-1778C

SPECIFICATIONS

ELECTRICAL CHARACTERISTICS

Rated Voltage	DC 100V/AC 100V
Rated Current	DC 0.5A
Withstanding Voltage	250V AC (rms) 1minute
Insulation Resistance	1,000MΩ min. (at 250V DC)
Contact Resistance	50mΩ max.

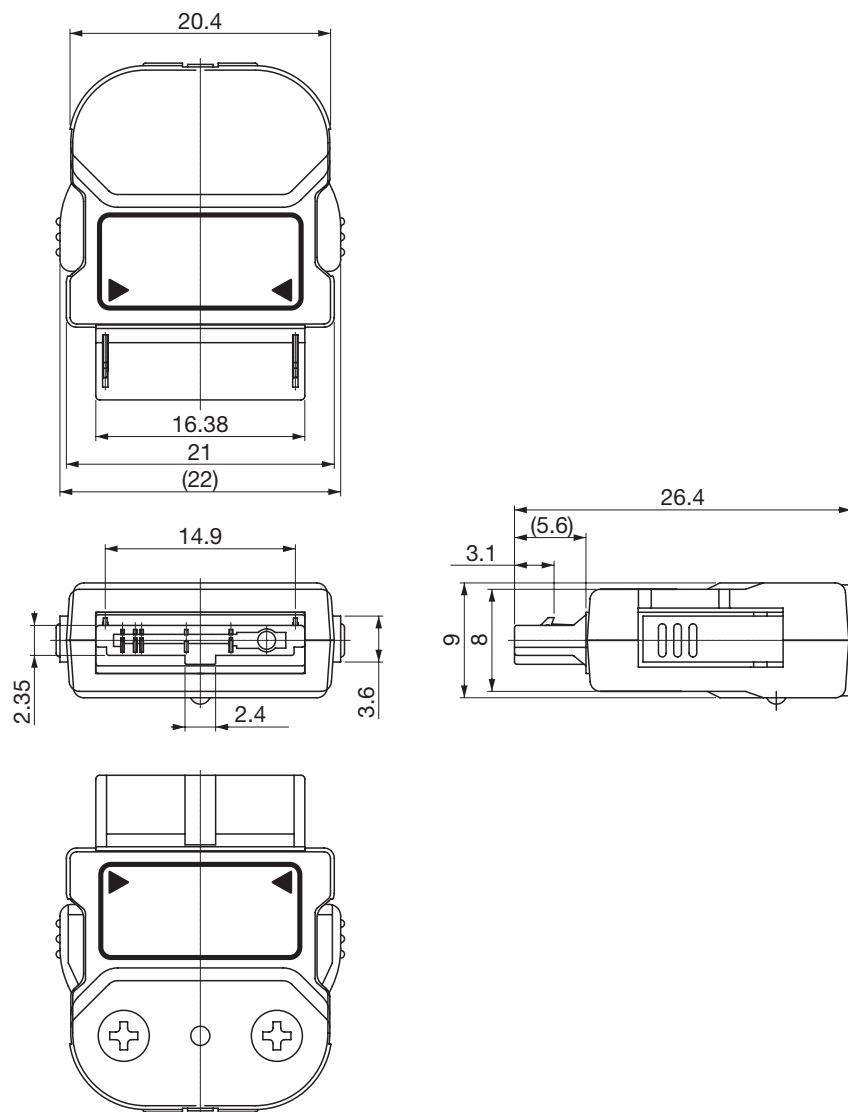
MECHANICAL CHARACTERISTICS

Life (Matching Cycle)	10,000 times
Lock Strength	68.6N (7kgf) min.
Using Temperature Range	-30~+80°C

MATERIAL & FINISH

Component Parts	Material	Finish
Plug Housing	Nylon 46	Black
Contact	Copper Alloy	Gold plating
Lock Lever	SUS	-
Top · Bottom Case	Polycarbonate	Black
Tapping Screw	Steel	Black

DIMENSIONS



Unit : mm