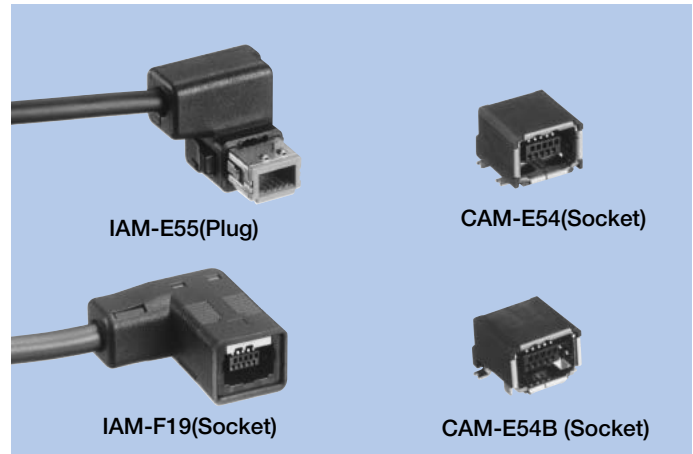


Rectangular Connectors

IAM-E55 · F19, CAM-E54, E54B

FEATURES

1. These are external connectors for connecting different units. CAM-E54 is the surface mounting type and IAM-E55 is the L type.
2. Coupling depth is set at 12mm, making it easy to ensure mounting space.
3. There is coupling key available, so there is no risk of miscoupling when using several of the same connector.
4. The pressure connection type with coupling pitch of 1mm is utilized.



HOW TO ORDER

1. IAM-E55 (Angle Plug)

E55-010-3805

1 2 3

- 1 Series No. (E55 : L type)
- 2 No. of contacts (010 : 10pins)
- 3 Supplementary symbol
 A : Key-typeA Housing Black
 B : Key-typeB Housing Blue
 C : Key-typeC Housing Green

2. CAM-E54 (SMT Socket)

E54-010-050-AGGAA-

1 2 3

- 1 Series No. (E54 : SMT type)
- 2 No. of contacts (010 : 10pins)
- 3 Supplementary symbol
 A : Key-typeA Housing Black
 B : Key-typeB Housing Blue
 C : Key-typeC Housing Green

3. CAM-E54B (SMT Socket/GND Through hole)

E54B-010-230-AAGAA-

1 2 3

- 1 Series No. (E54B : SMT type)
- 2 No. of contacts (010 : 10pins)
- 3 Supplementary symbol
 A : Key-typeA Housing Black
 B : Key-typeB Housing Blue
 C : Key-typeC Housing Green

4. IAM-F19 (Socket)

F19-010-5005

1 2 3

- 1 Series No. (F19 : Relay L type)
- 2 No. of contacts (010 : 10pins)
- 3 Supplementary symbol
 A : Key-typeA Housing Black

SPECIFICATIONS

ELECTRICAL CHARACTERISTICS

Rated Voltage	30V DC
Rated Current	0.5A (1A up to pin 4)
Withstanding Voltage	300V AC 1minute
Insulation Resistance	100MΩ min.
Contact Resistance	100mΩ max.

MECHANICAL CHARACTERISTICS

Life (Matching Cycle)	5,000 times
Total Withdrawal Force	1.96~39.2N (0.2~4kgf) max.
Lock Strength	49N (5kgf) min.
Using Temperature Range	-30~+85°C

WIRE SIZES

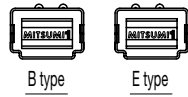
Wire Sizes	AWG 26~32
Wire Covering Diameter	Ø0.7 max.
Cable Outside Diameter	Ø5 max.

MATERIAL & FINISH

Component Parts		Material	Finish
IAM-E55	Housing	PBT resin	(Each color)
	Contact	Copper Alloy	Gold plating
	Shielded Case	Copper Alloy	Nickel plating
	Case	PBT resin	(Black)
	Clamper	Steel	Plating steel plate
CAM-E54	Housing	Nylon	(Each color)
	Contact	Copper Alloy	Gold plating
	Metal Cover	Copper Alloy	Copper-tin plating
IAM-F19	Housing A	PBT resin	(Black)
	Contact A	Copper Alloy	Gold plating
	Housing B	PBT resin	(Black)
	Contact B	Copper Alloy	Gold plating
	Upper Shielded Case	Stainless	—
	Lower Shielded Case	Copper Alloy	Nickel plating
	Case A	PBT resin	(Black)
	Case B	PBT resin	(Black)
Clamper	Steel	Plating steel plate	

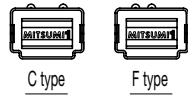
DIMENSIONS

IAM-E55



B type

E type



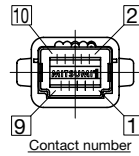
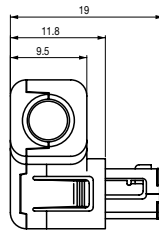
C type

F type

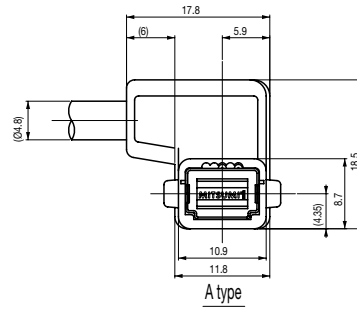
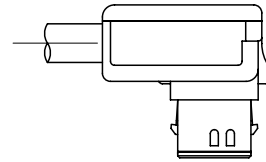


D type

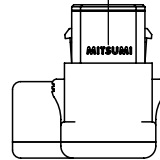
Connecting type



Contact number

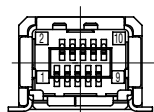


A type

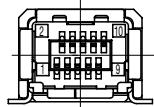


Unit : mm

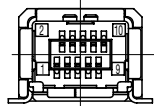
CAM-E54



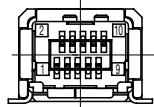
B type



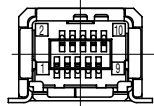
C type



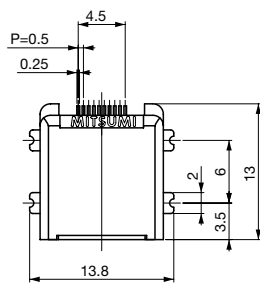
D type



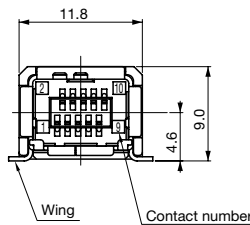
E type



F type

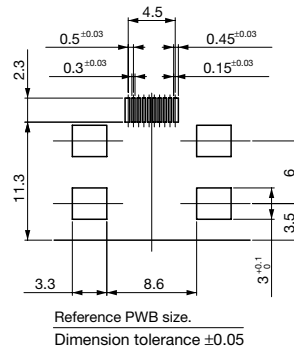


A type

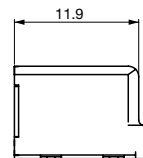


A type

Contact number

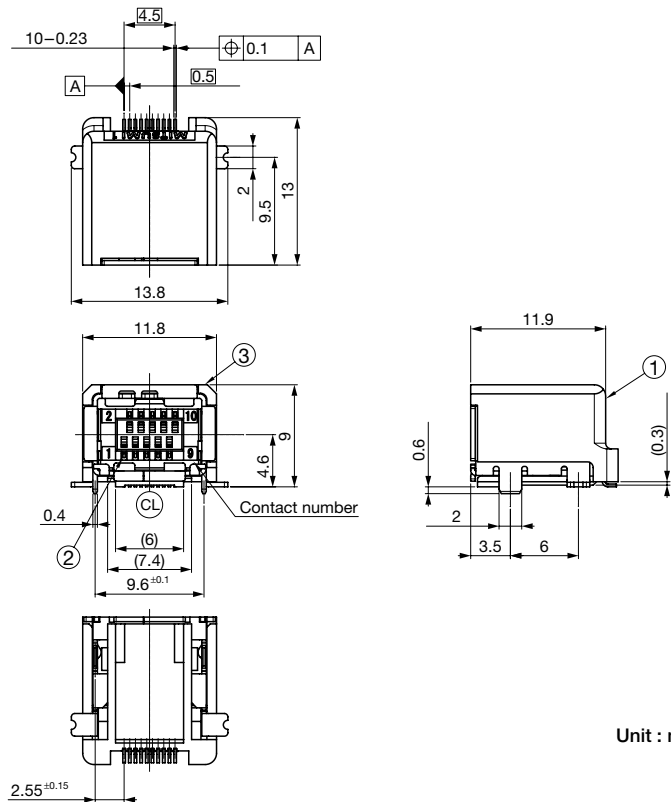
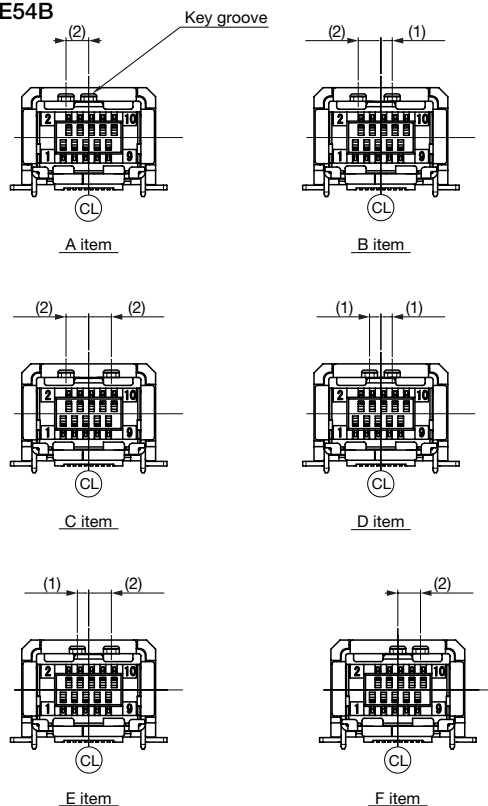


Reference PWB size.
Dimension tolerance ±0.05



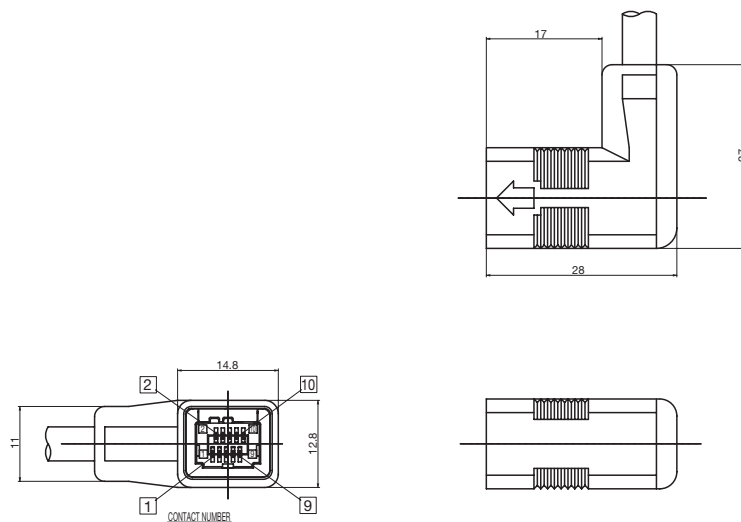
Unit : mm

CAM-E54B



Unit : mm

IAM-F19



Unit : mm