

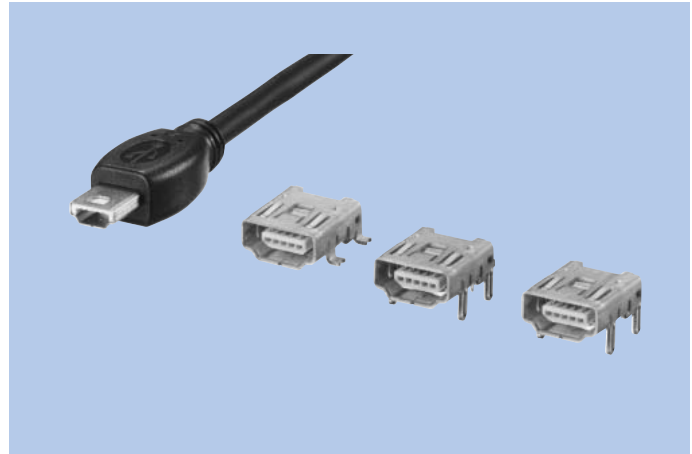
# USB Series "Mini-A" Connectors

# IAM-E44, CAM-E41ASF · E41ADF · E41SDF

Connectors

## FEATURES

1. Ultra-small size realized for 5 pins.  
Volume as compared to conventional Mitsumi product : 1/5 (CAM-E41)  
Coupling projection area ratio : 1/4 (CAM-E41)
2. It is the most suitable for connection with PC peripheral equipment with slim PCs, PDAs, mobile phones and so on.
3. Utilizes a sequential function that slides power supply and signal contact connection timing.
4. Couple/decouple reliability ensured for 5,000 times.
5. Weight : 0.6g (CAM-E41)
6. Supports USB 2.0 (on-the-Go).



## HOW TO ORDER

### 1. IAM-E44

**E44-005-□□□□ □**  
 1      2      3      4

- 1 Series No. (E44)
- 2 No. of contacts (005: 5pins)
- 3 Running No. assigned by us
- 4 Cable length (Standard)  
 A : 300mm, B : 500mm, C : 800mm  
 D : 1000mm, E : 1300mm, F : 1500mm

### 2. CAM-E41ASF

**E41ASF-005-8905A**  
 1      2      3

- 1 Series No. (E41ASF)
- 2 No. of contacts (005 : 5pins)
- 3 Running No. assigned by us

### 3. CAM-E41ADF

**E41ADF-005-9268A**  
 1      2      3

- 1 Series No. (E41ADF)
- 2 No. of contacts (005: 5pins)
- 3 Running No. assigned by us

### 4. CAM-E41SDF

**E41SDF-005-8906A**  
 1      2      3

- 1 Series No. (E41SDF)
- 2 No. of contacts (005 : 5pins)
- 3 Running No. assigned by us

## SPECIFICATIONS

### ELECTRICAL CHARACTERISTICS

Rated Voltage	AC 5V (rms)
Rated Current	1.0A
Withstanding Voltage	100V AC (rms) 1minute
Insulation Resistance	100MΩ min. (at 500V AC)
Contact Resistance	50mΩ max.

### MECHANICAL CHARACTERISTICS

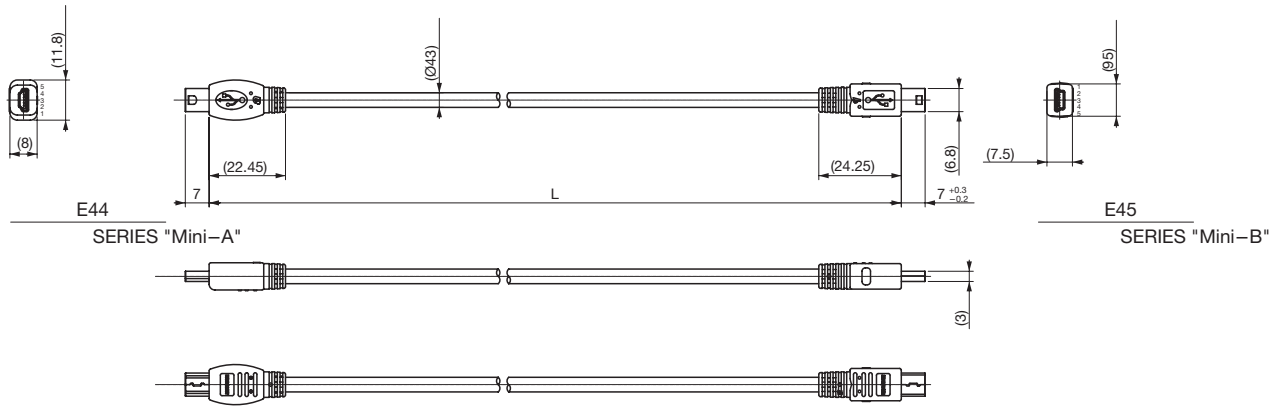
Life (Matching Cycle)	5,000 times
Total Insertion Force	35N (3.57kgf) max.
Total Withdrawal Force	Beginning 7N (0.71kgf) min. After 5,000 times 3N (0.31kgf) min.

## MATERIAL & FINISH

Component parts		Material	Finish
IAM-E44	Housing	PBT resin	(White)
	Contact	Copper alloy	Gold plating
	Shield Case	Steel	Nickel plating
	Over mold	PVC resin	Optional
	Cable	PVC resin	Optional
CAM-E41 Series	Housing	Thermo plastic	(White)
	Contact	Copper alloy	Gold plating
	Shield Case	Copper alloy	Tin reflow plating

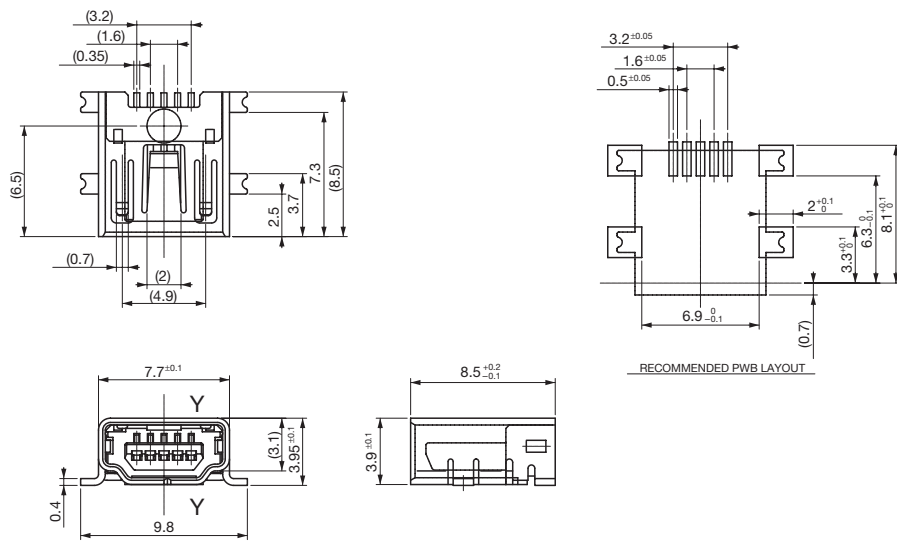
# DIMENSIONS

## IAM-E44



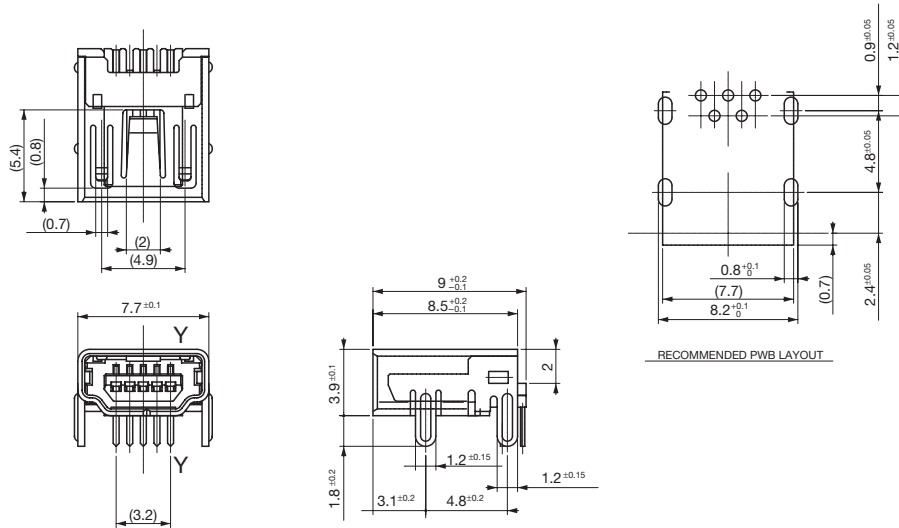
Unit: mm  
 ☆ Tolerance: ±0.3

## CAM-E41ASF



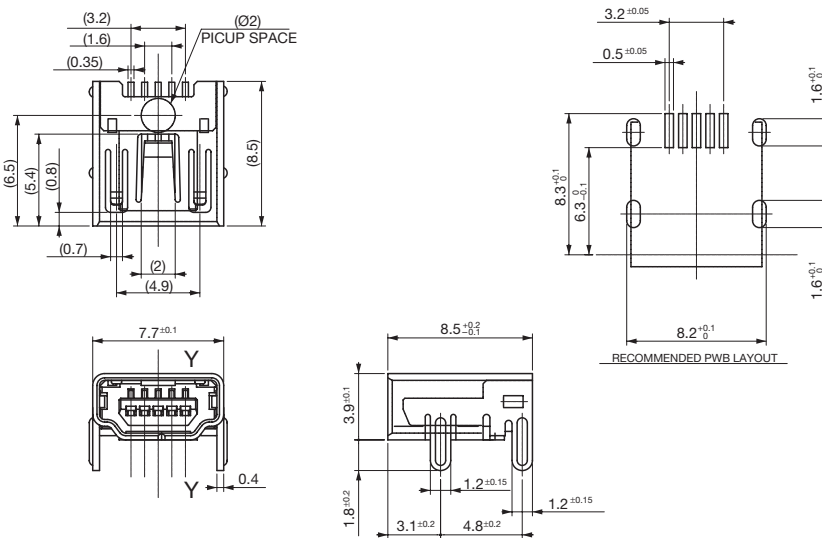
Unit: mm  
 ☆ Tolerance: ±0.3

CAM-E41ADF



Unit: mm  
 ☆ Tolerance: ±0.3

CAM-E41SDF



Unit: mm  
 ☆ Tolerance: ±0.3