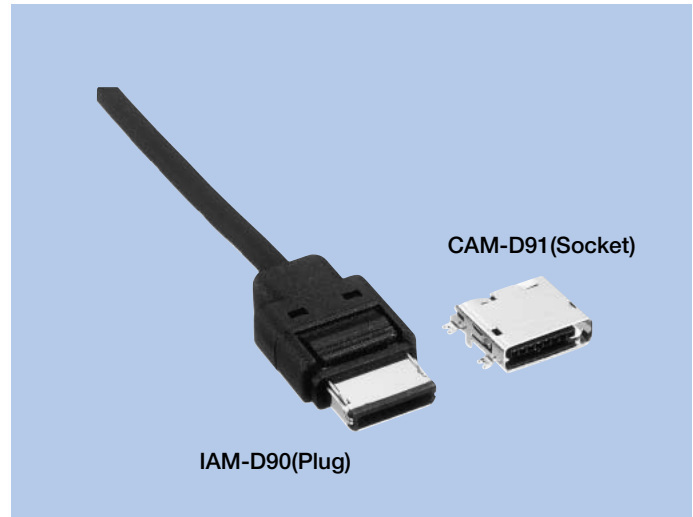


# Rectangular Connectors IAM-D90, CAM-D91

## FEATURES

1. This 8 pins thin-type interface connector is used for connecting equipment. The IAM-D90 is a straight cable plug, and the CAM-D91 is a 1.25mm pitch surface-mounted socket.
2. Uses a locking mechanism so that it can be used with automotive on-board equipment, mobile devices, and small portable devices.
3. The coupling/decoupling cycle life is 5,000 times and so can be used for equipment that must be plugged in and unplugged many times.
4. The thin style provides high strength.
5. The wire size that can be used are diameter 4mm can be used. The conductor sizes are AWG26 to AWG30.



## HOW TO ORDER

### 1. IAM-D90

**D90** -  - **5532A**

1            2            3

- 1 Series No. (D90)
- 2 No. of contacts (008 : 8pins)
- 3 Product Specifications

### 2. CAM-D91

**D91** -  - **05 0 - A G G A A**

1            2            3 4 5 6 7 8 9 10

- 1 Series No. (D91)
- 2 No. of contacts (008 : 8pins)
- 3 Housing Material (05 : Nylon resin)
- 4 UL Grade (0 : UL 94V-0)
- 5 Contact plating (A : Gold)
- 6 Contact pin plating thickness (G : 0.3μm)
- 7 Contact pin lead profile (G : Angle SMT)
- 8 Attachment on connector fitting side (A : None)
- 9 Attachment on connector PCB side (A : None)
- 10 Ancillary signal (normally none)

## SPECIFICATIONS

### ELECTRICAL CHARACTERISTICS

Rated Voltage	24V DC
Rated Current	0.5A
Withstanding Voltage	500V AC (rms) 1minute
Insulation Resistance	100MΩ min. (at 500V DC)
Contact Resistance	30mΩ max.

MECHANICAL CHARACTERISTICS

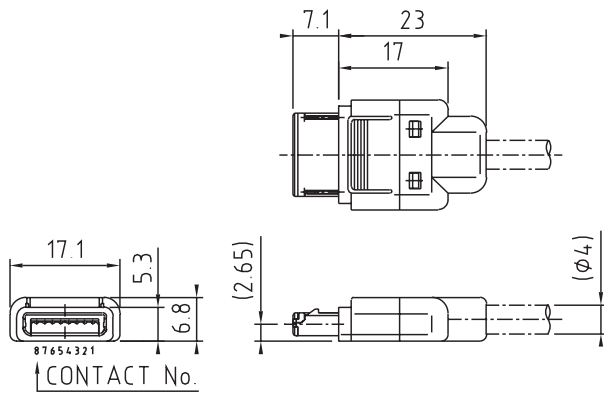
Life (Matching Cycle)	5,000 times
Total Insertion Force	29.4N (3kgf) max.
Total Withdrawal Force	0.98~29.4N (0.1~3kgf) max.
Using Temperature Range	-30~+85°C

MATERIAL & FINISH

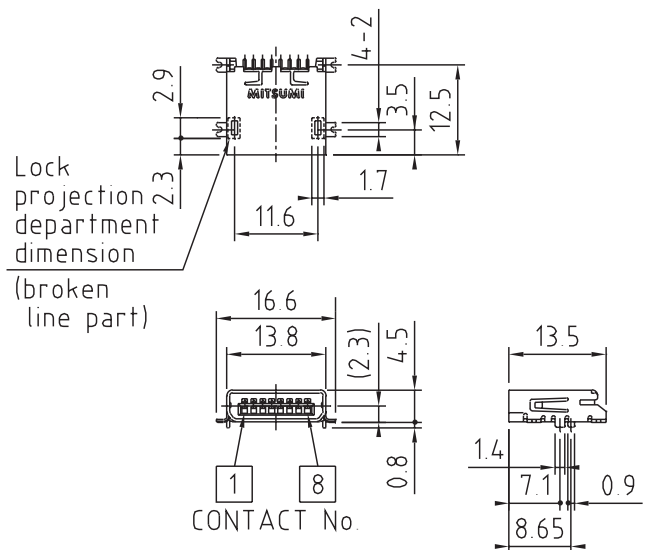
Component Parts		Material	Finish
IAM-D90	Housing	PBT resin	(Black)
	Contact	Copper Alloy	Gold plating
	Shielded Case	Steel	Nickel plating
	Case	PBT resin	(Black)
	Board Lock	Stainless	—
	Cord Clamper	Aluminum	—
CAM-D91	Housing	Nylon resin	(Black)
	Contact	Copper Alloy	Gold plating
	Shielded Case	Stainless	Gold plating

DIMENSIONS

IAM-D90



CAM-D91



Unit : mm