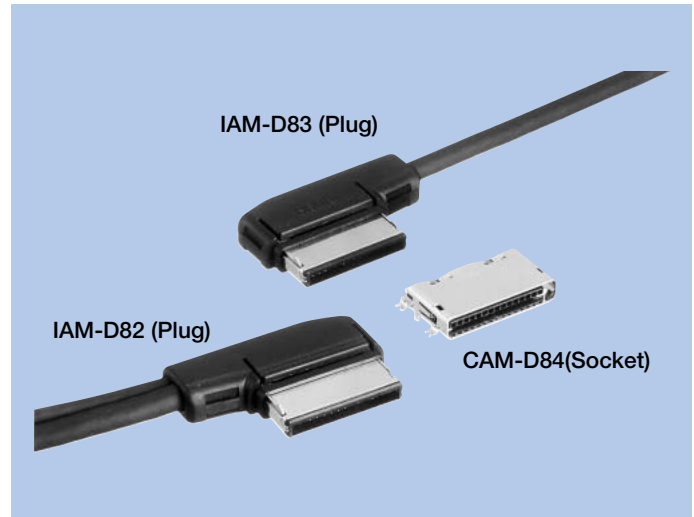


# Rectangular Connectors

## IAM-D82·D83, CAM-D84

### FEATURES

1. These are 15 pins external interface connectors.  
IAM-D82, D83 is a cable assembly plug, and CAM-D84 is an SMT socket.
2. This long-life connector can withstand 5,000 times coupling/decoupling cycle life and has a one-touch locking mechanism. It has a thin style to allow it to be used in low-profile sets.



### HOW TO ORDER

#### 1. IAM-D82 (Plug)

**D82** -  - **9408**

1      2      3      4

- 1 Series No. (D82)
- 2 No. of contacts (013 : 13pins)  
(015 : 15pins)
- 3 Product Specifications
- 4 Item  
A : 13pins  
B : 15pins

#### 2. IAM-D83 (Plug)

**D83** -  - **4727**

1      2      3      4

- 1 Series No. (D83)
- 2 No. of contacts (015 : 15pins)
- 3 Product Specifications
- 4 Item  
A : 13pins  
B : 15pins

#### 3. CAM-D84 (Socket)

**D84** -  - **05 0** - **B G G A A**

1      2      3 4    5 6    7 8 9

- 1 Series No. (D84)
- 2 No. of contacts (013 : 13pins)  
(015 : 15pins)
- 3 Housing material (05 : Nylon resin)
- 4 UL Grade (0 : UL 94V-0)
- 5 Contact pin plating types (B: Gold)
- 6 Contact pin plating thickness (G : 0.3μm)
- 7 Contact pin lead profile (G : Angle SMT)
- 8 Attachment on connector fitting side (A : None)
- 9 Attachment on connector PCB side (A : None)

### SPECIFICATIONS

#### ELECTRICAL CHARACTERISTICS

Rated Voltage	24V DC
Rated Current	0.5A
Withstanding Voltage	500V AC (rms) 1minute
Insulation Resistance	100MΩ min. (at 500V DC)
Contact Resistance	100mΩ max.

**MECHANICAL CHARACTERISTICS**

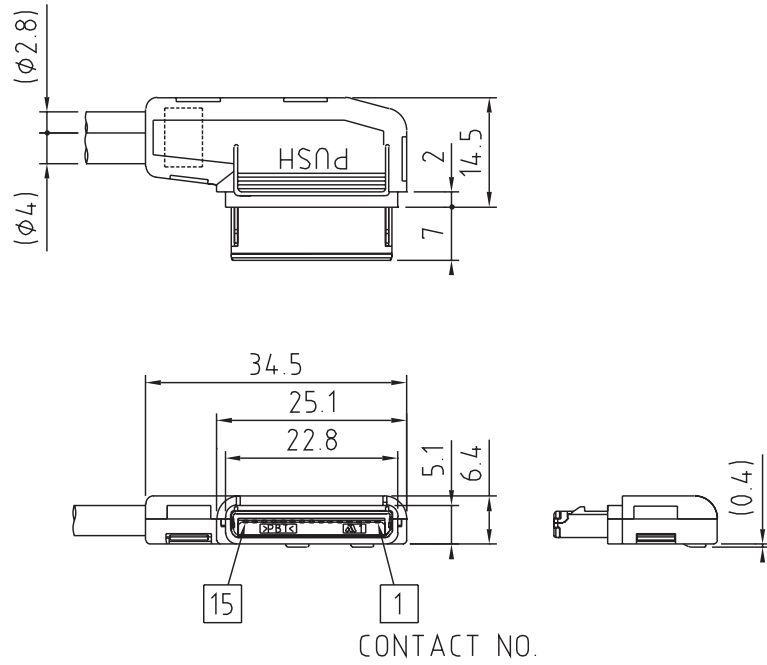
<b>Life (Matching Cycle)</b>	5,000 times
<b>Total Insertion Force</b>	29.4N (3kgf) max.
<b>Total Withdrawal Force</b>	0.98~29.4N (0.1~3kgf) max.
<b>Using Temperature Range</b>	-30~+85°C

**MATERIAL & FINISH**

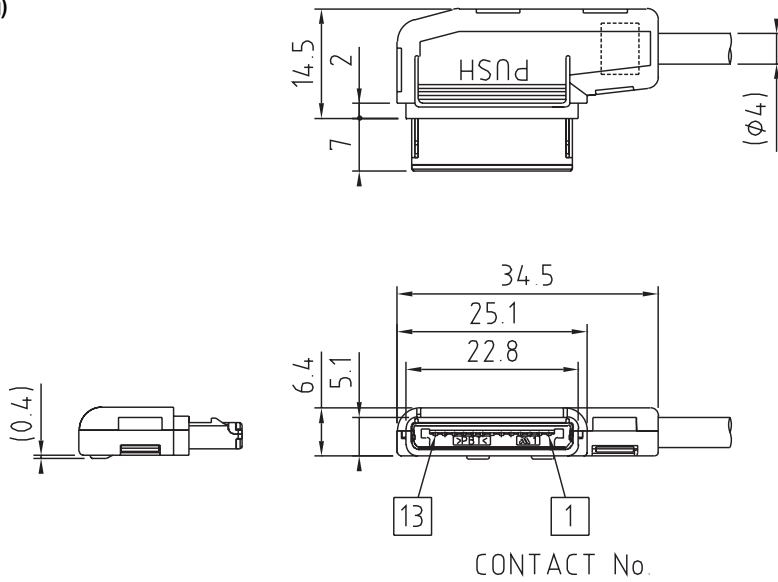
<b>Component Parts</b>		<b>Material</b>	<b>Finish</b>
<b>IAM-D82-D83</b>	<b>Housing</b>	PBT resin	—
	<b>Contact</b>	Copper Alloy	Gold plating
	<b>Shielded Case</b>	Brass	Nickel plating
	<b>Case</b>	PBT resin	—
	<b>Board Lock</b>	Stainless	—
	<b>Cord Clamper</b>	Steel	—
<b>CAM-D84</b>	<b>Housing</b>	Nylon resin	—
	<b>Contact</b>	Copper Alloy	Gold plating
	<b>Shielded Case</b>	Stainless	Copper-tin plating

**DIMENSIONS**

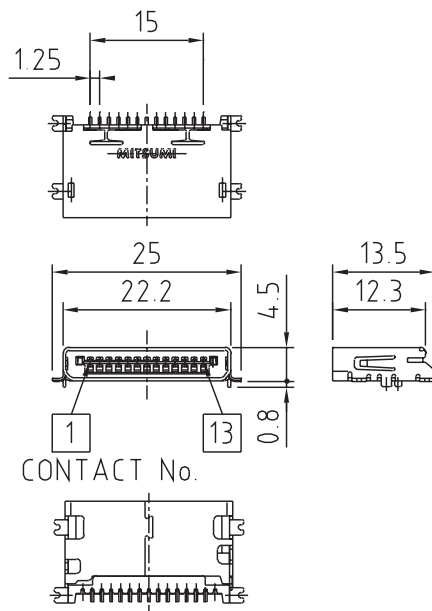
IAM-D82 (Plug)



IAM-D83 (Plug)



CAM-D84 (13 pins : Socket)



CAM-D84 (15 pins : Socket)

