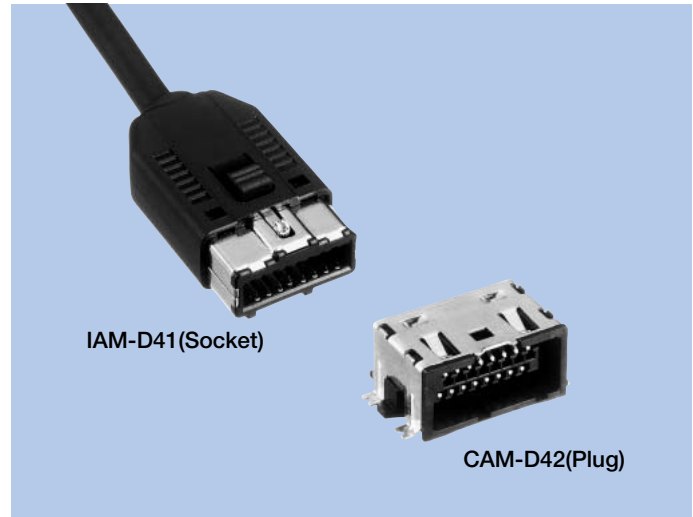


Rectangular Connectors IAM-D41, CAM-D42

FEATURES

- These are 16 pins external interface connectors.
IAM-D41 is a cable assembly socket, and CAM-D42 is an SMT plug.
- The coupling / decoupling cycle life of the connector is 10,000 times, and a one-touch mechanism is used. In addition, the pitch is narrower so as to take up less space on the board. Occupation ratio: 78% (MITSUMI comparison)



HOW TO ORDER

1. IAM-D41

D41 - 016 - 4427 □

1 2 3 4

- Series No. (D41)
- No. of contacts (016 : 16pins)
- Product Specifications
- Housing Color
(A : Black, B : Sky blue, C : Green, D : Red, E : Gray)

2. CAM-D42

D42 - 016 - 050 - A G G A A □

1 2 3 4 5 6 7 8 9 10

- Series No. (D42)
- No. of contacts (016 : 16pins)
- Housing Material (05 : 46 Nylon resin)
- UL Grade (0 : UL 94V-0)
- Contact plating (A : Gold)
- Contact pin plating thickness (G : 0.3μm)
- Contact pin lead profile (G : Angle SMT)
- Attachment on connector fitting side (A : None)
- Attachment on connector PCB side (A : None)
- Housing Color
(A : Black, B : Sky blue, C : Green, D : Red)

SPECIFICATIONS

ELECTRICAL CHARACTERISTICS

Rated Voltage	14V DC
Rated Current	0.8A
Withstanding Voltage	500V AC (rms) 1minute
Insulation Resistance	100MΩ min. (at 500V DC)
Contact Resistance	100mΩ max.

MECHANICAL CHARACTERISTICS

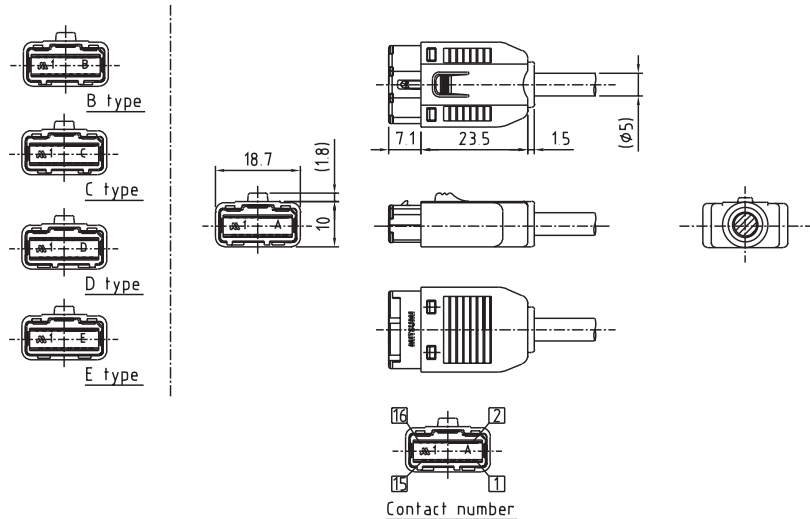
Life (Matching Cycle)	10,000 times
Total Insertion Force	29.4N (3kgf) max.
Total Withdrawal Force	1.96~29.4N (0.2~3kgf) max.
Using Temperature Range	-30~+85°C

MATERIAL & FINISH

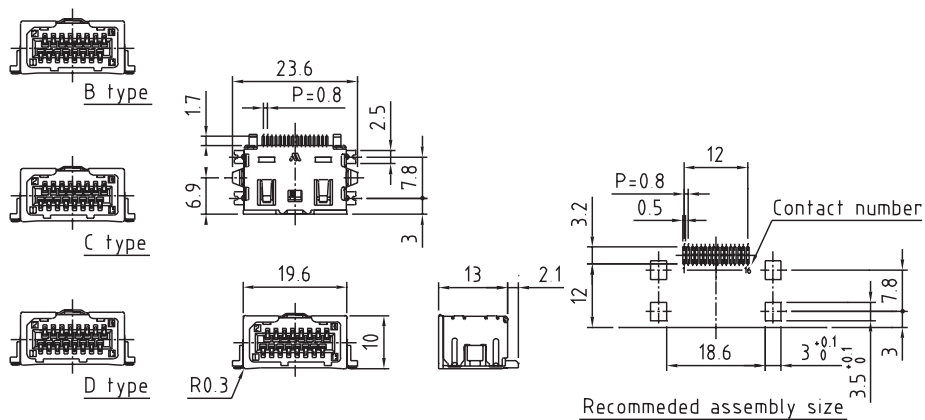
Component Parts		Material	Finish
IAM-D41	Housing	PBT resin	—
	Contact	Copper Alloy	Gold plating
	Shielded Case	Steel	Nickel plating
	Case	PBT resin	—
	Board Lock	Copper Alloy	Nickel plating
CAM-D42	Housing	46 Nylon resin	—
	Contact	Copper Alloy	Gold plating
	Shielded Case	Copper Alloy	Tin reflow plating

DIMENSIONS

IAM-D41 (16 pins)



CAM-D42 (16 pins)



Unit : mm