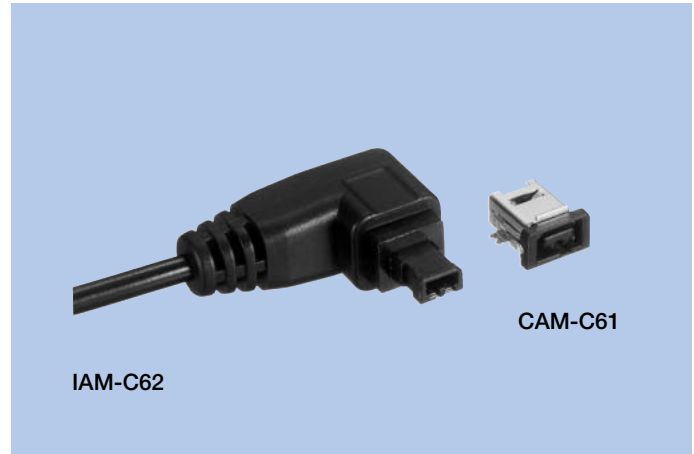


# Power Supply Jack and Plug IAM-C62, CAM-C61

## FEATURES

1. The jack is packaged on carrier tape and is SMT compatible.
2. AC adaptor and DC cigarette lighter curled cords are available for the plug.
3. Order-made specifications are possible for both the jack and the key groove (positioner, so that they can not be used by others).



## HOW TO ORDER

### 1.IAM-C62

**C62-002-3073A**

1 2 3

- 1 Series No. (C62)
- 2 No. of contacts (002 : 2pins)
- 3 Running No. assigned by us

### 2.CAM-C61

**C61-002-05 0-B G G M A**

1 2 3 4 5 6 7 8 9

- 1 Series No. (C61)
- 2 No. of contacts (002 : 2pins)
- 3 Housing material (05 : 46 Nylon resin)
- 4 Housing UL grade (0 : UL94V-0)
- 5 Contact finish  
(B : Contact area Gold, Lead area Solder plating)
- 6 Contact plating thickness (G : 0.3 $\mu$ )
- 7 Contact tail style (G : Angle SMT)
- 8 Accessory for Connector outside (M : Shielded case)
- 9 Accessory for Connector inside (A : None)

## SPECIFICATIONS

### ELECTRICAL CHARACTERISTICS

Rated Voltage	6.3V DC
Rated Current	2A
Withstanding Voltage	500V AC (rms) 1minute
Insulation Resistance	100M $\Omega$ min. (500V DC 1minute)
Contact Resistance	80m $\Omega$ max.

### MECHANICAL CHARACTERISTICS

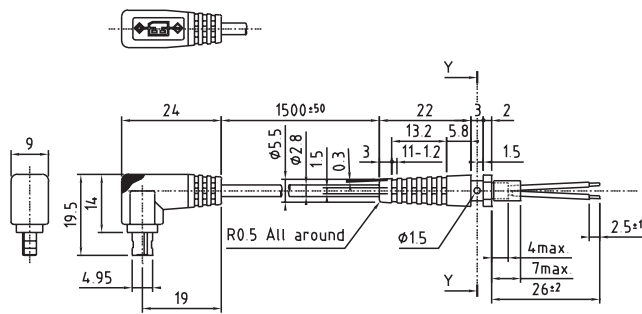
Life (Matching Cycle)	5000 min.
Total Insertion Force	5~20N (0.49~19.6kgf) max.
Total Withdrawal Force	4~15N (0.39~14.7kgf)

## MATERIAL & FINISH

Component Parts		Material	Finish
IAM-C62	Housing	PPS resin	—
	Contact	Copper Alloy	Gold selective plating
	Outer Molding	PP resin	—
	Outer Molding	PVS resin	—
CAM-C61	Housing	PPS resin	—
	Contact	Copper Alloy	Gold selective plating
	Half Lock Case	Stainless	Solder plating

## DIMENSIONS

IAM-C62 (2pins)



CAM-C61 (2pins)

