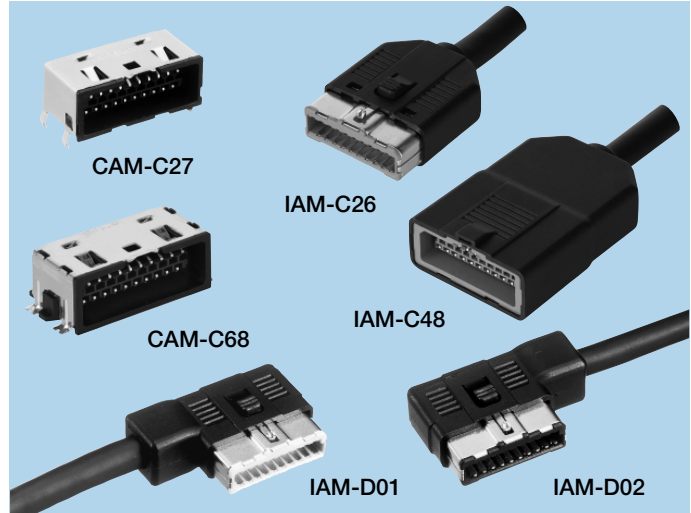


Rectangular Connectors

IAM-C26, D01, D02, C48, CAM-C27, C68

FEATURES

1. 2mm pitch connector of 20-pole type to be used between a board and a cable.
2. Provided with a lock mechanism that permits a secure connection.
3. A mis-insertion-proof key for fitting is adopted.
4. The service life related to insertion/removal is 10,000 times.



HOW TO ORDER

1. Cable

C26 - **020** -
 1 2 3

- 1 Series No. (C26 : Straight, D01 : Right Angle, D02 : Left Angle, C48 : Straight type for relay)
- 2 No. of contacts (020 : 20pins)
- 3 Number of specification

2. Receptacle

C27 - **020** -
 1 2 3

- 1 Series No. (C27 : Angle PTH type, C68 : Angle SMD type)
- 2 No. of contacts (020 : 20pins)
- 3 Number of specification

SPECIFICATIONS

ELECTRICAL CHARACTERISTICS

Rated Voltage	14V DC
Rated Current	1A
Withstanding Voltage	500V AC(rms) 1minute
Insulation Resistance	100MΩ min. (500V DC)
Contact Resistance	100mΩ max.

MECHANICAL CHARACTERISTICS

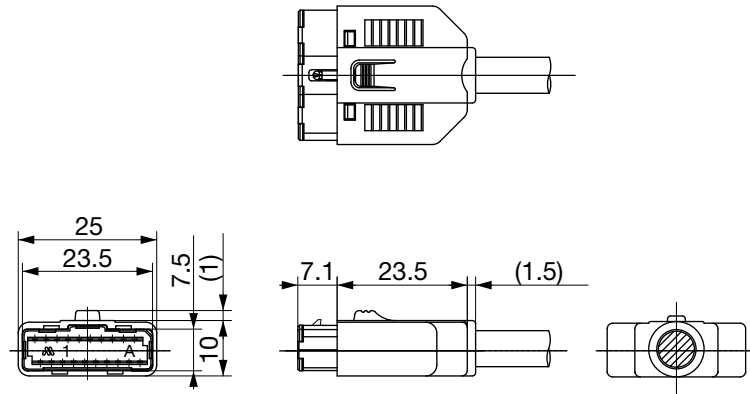
Life (Matching Cycle)	10,000 times
Total Insertion Force	29.4N max.
Total Withdrawal Force	1.96~29.4N max.
Using Temperature Range	-30~+85°C

MATERIAL & FINISH

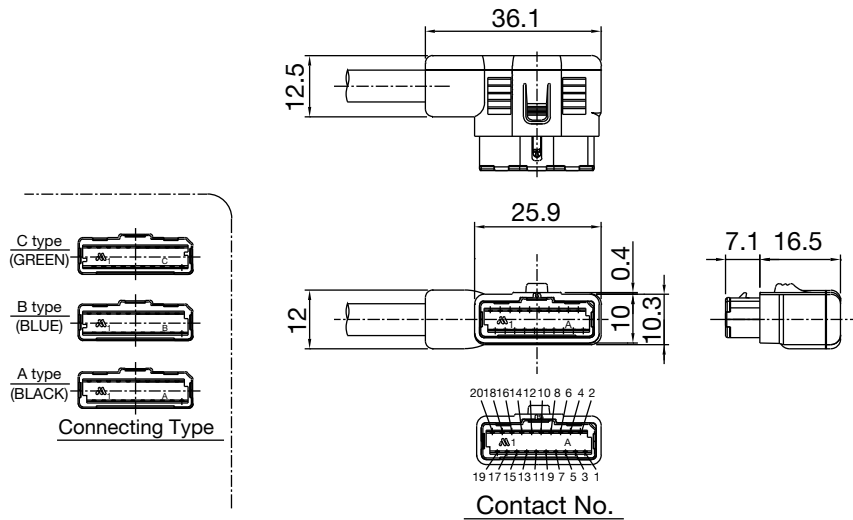
Component Parts		Material	Finish
IAM-C26, D01, D02, C48 Cable Type	Housing	PBT resin	-
	Contact Pin	Copper alloy	Tin reflow plating
	Shield Case	Steel	Nickel plating
	Cover	PBT resin	-
	Locks	Copper alloy	Nickel plating
	Cord Clamper	Aluminum	-
CAM-C27, C68 Receptacle	Housing	PBT resin	(PTH type)
	Housing	Nylon	(SMD type)
	Contact Pin	Copper alloy	Tin reflow plating
	Shielded Case	Copper alloy	Tin reflow plating

DIMENSIONS

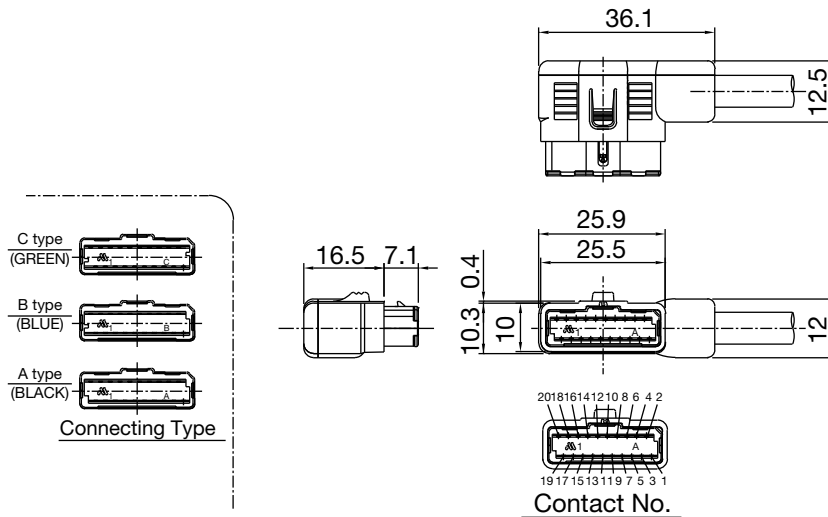
IAM-C26



IAM-D01



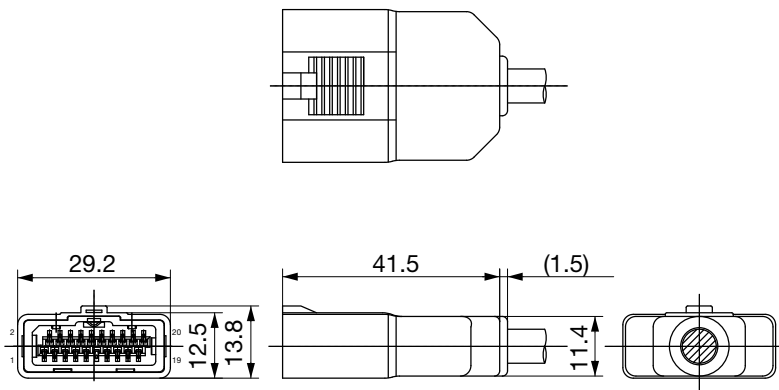
IAM-D02



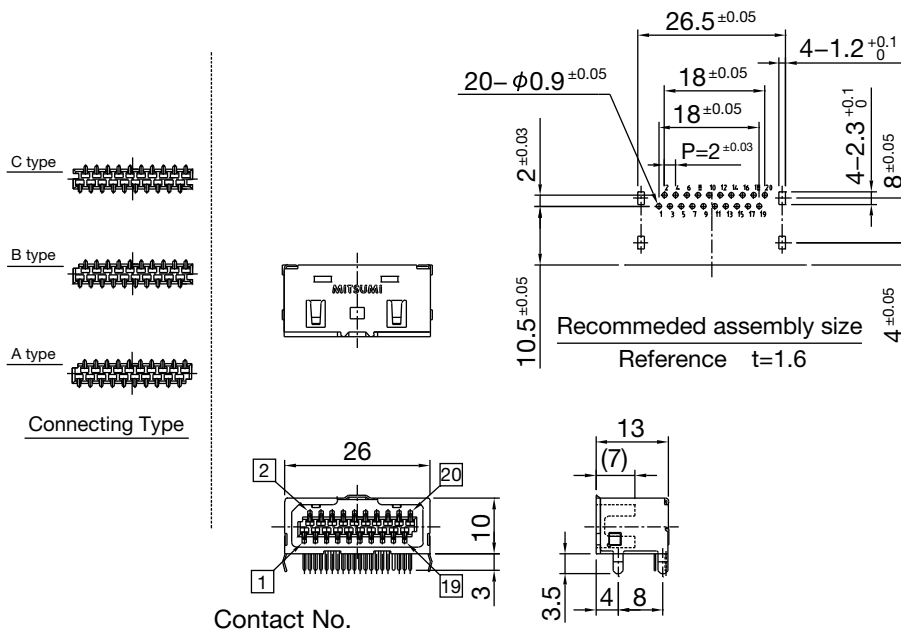
Unit : mm

• Any products mentioned in this catalog are subject to any modification in their appearance and others for improvements without prior notification.
 • The details listed here are not a guarantee of the individual products at the time of ordering. When using the products, you will be asked to check their specifications.

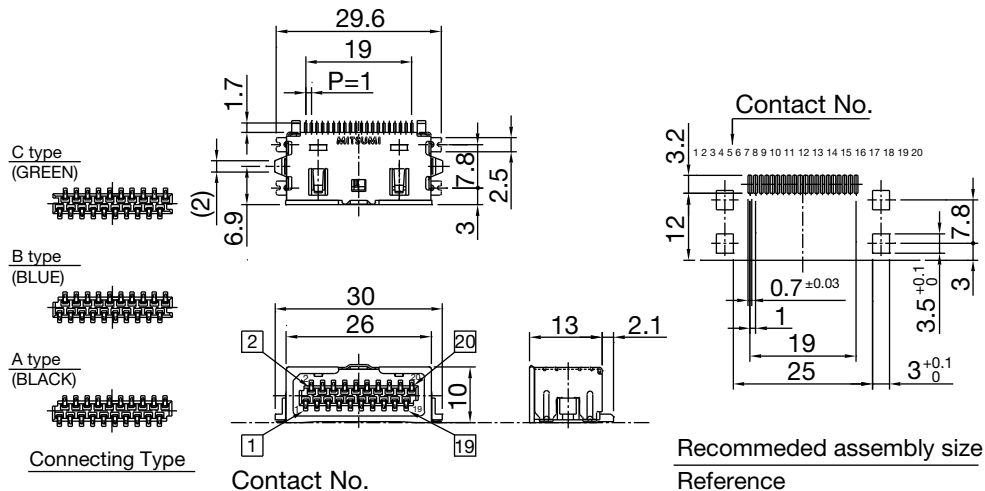
IAM-C48



CAM-C27 (20pins)



CAM-C68



Unit : mm

• Any products mentioned in this catalog are subject to any modification in their appearance and others for improvements without prior notification.
 • The details listed here are not a guarantee of the individual products at the time of ordering. When using the products, you will be asked to check their specifications.