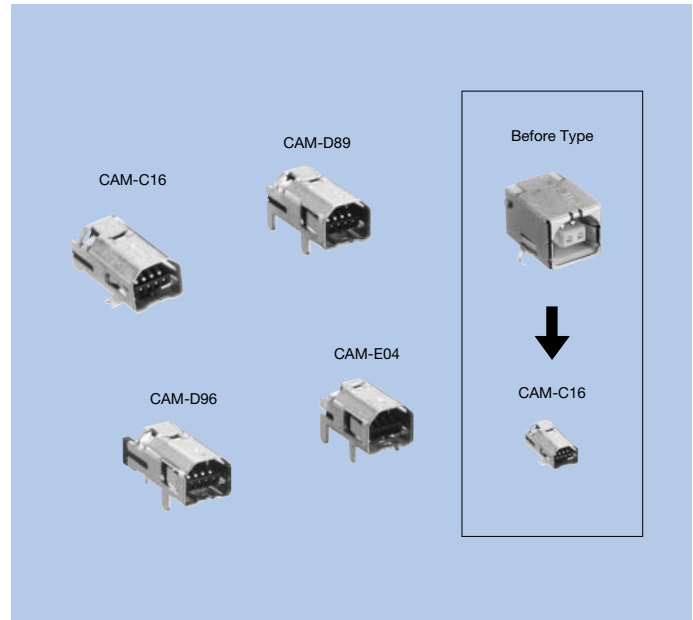


# Mini Serial Bus Connectors (B TYPE)

## CAM-C16 · D89 · D96 · E04

### FEATURES

1. This is a 4 pins serial bus connector.
2. Ultra-small size achieved. (Compared to conventional Mitsumi products: - size: 1/10 (CAM-C16-D89-D96-E04); weight: 1/5 (CAM-C16-D89-D96-E04); fit profile area: 1/5 (CAM-C16-D89-D96-E04))
3. Ideal for connecting portable PCs such as slim notebook PCs and handheld PCs to small, slim peripheral equipment (digital still cameras, small mouse, etc).
4. CAM-E04 is the short size type of CAM-D89.



### HOW TO ORDER

1. CAM-C16

**C16-004-5810B**  
1      2      3

- 1 Series No. (C16)
- 2 No. of contacts (004 : 4pins)
- 3 Running No. assigned by us

2. CAM-D89

**D89-004-5887B**  
1      2      3

- 1 Series No. (D89)
- 2 No. of contacts (004 : 4pins)
- 3 Running No. assigned by us

3. CAM-D96

**D96-004-5319B**  
1      2      3

- 1 Series No. (D96)
- 2 No. of contacts (004 : 4pins)
- 3 Running No. assigned by us

4. CAM-E04

**E04-004-7747B**  
1      2      3

- 1 Series No. (E04)
- 2 No. of contacts (004 : 4pins)
- 3 Running No. assigned by us

## SPECIFICATIONS

### ELECTRICAL CHARACTERISTICS

Rated Voltage	AC 5V (rms)
Rated Current	1A
Withstanding Voltage	100V AC(rms) 1minute
Insulation Resistance	100MΩ min. (at 500V DC)
Contact Resistance	50mΩ max.

### MECHANICAL CHARACTERISTICS

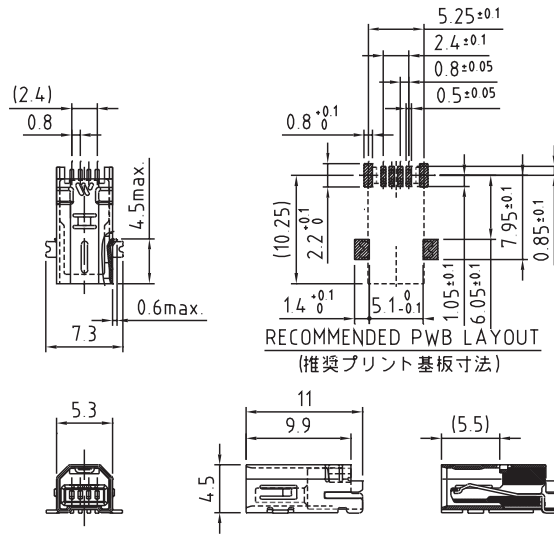
Total Insertion Force	35N (3.57kgf) max.
Total Withdrawal Force	2.9N (0.3kgf) min.
Life (Matching Cycle)	1,500 times

## MATERIAL & FINISH

Component Parts	Material	Finish
Housing	Nylon resin	Black
Contact	Copper Alloy	Gold plating
Shielded Case	Copper Alloy	Copper-tin platingg

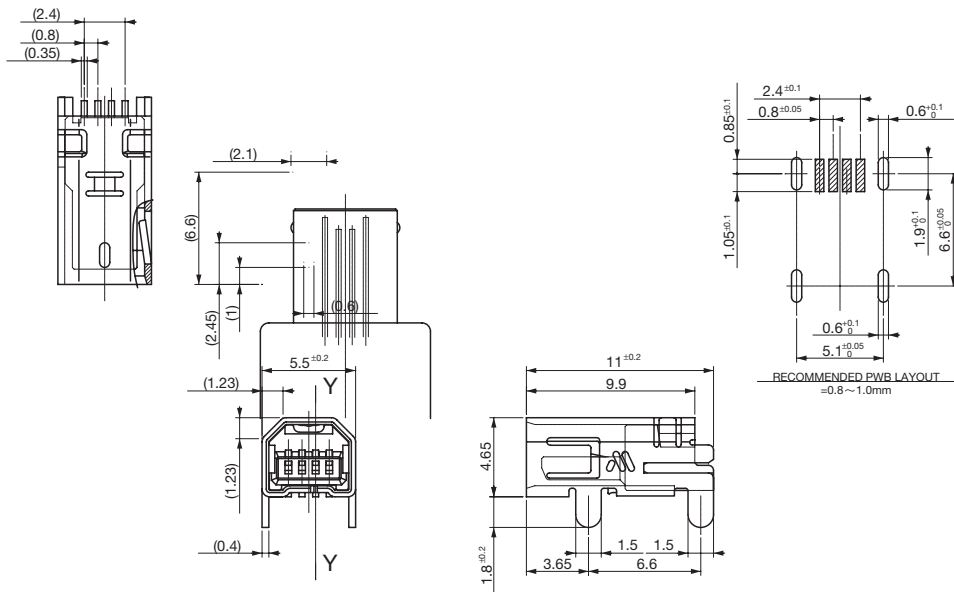
DIMENSIONS

CAM-C16



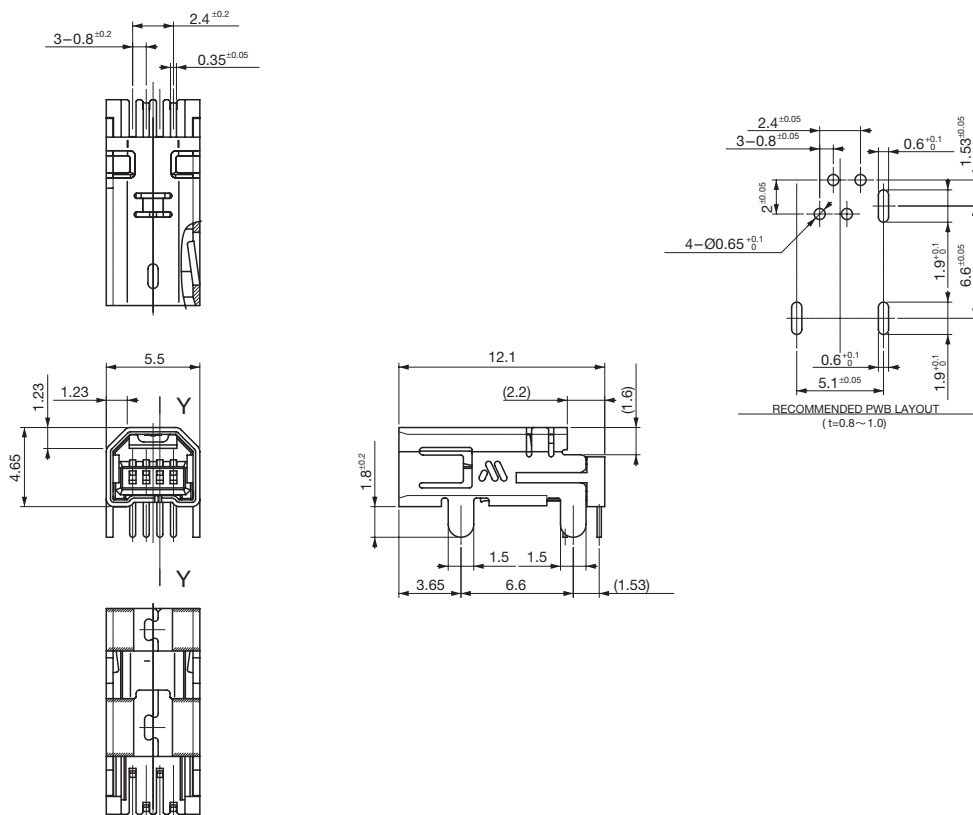
Unit : mm

CAM-D89



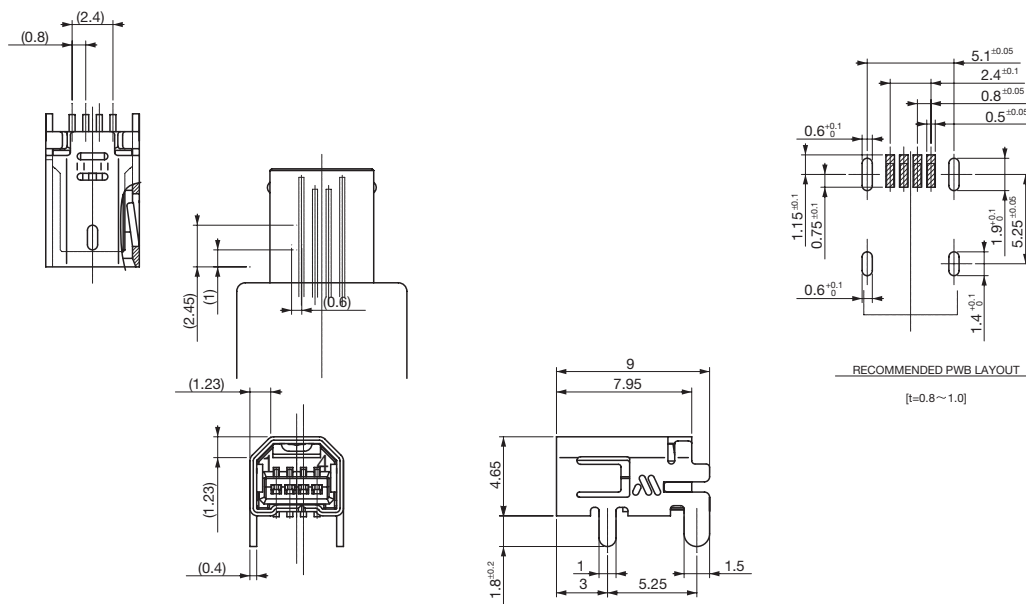
Unit : mm

CAM-D96



Unit : mm

CAM-E04



Unit : mm