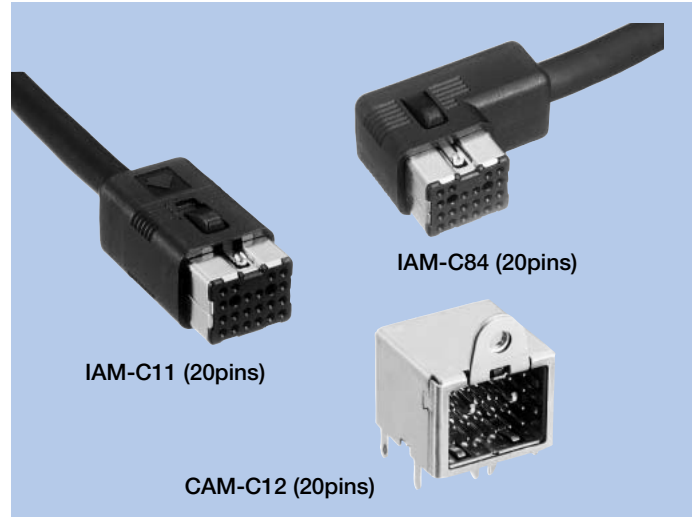


Rectangular Connectors

IAM-C11 · C84, CAM-C12

FEATURES

- The 20 pins external interface connectors.
IAM-C11 is a cable assembly straight type socket.
IAM-C84 is a cable assembly L type socket.
CAM-C12 is an angle dip type plug.
- The coupling/decoupling cycle life is 200 times and a one-touch locking mechanism is used. In addition, the width has been reduced and the area occupied by the circuit board reduced.
Occupation ratio : Approx. 54% (MITSUMI comparison)



HOW TO ORDER

1. IAM-C11

C11-020-2437A

1 2 3

- Series No.
- No. of contacts (020 : 20pins)
- Product Specifications

2. IAM-C84

C84-020-2946A

1 2 3

- Series No.
- No. of contacts (020 : 20pins)
- Product Specifications

3. CAM-C12

C12-020-02 0-□ □ B A A-□

1 2 3 4 5 6 7 8 9 10

- Series No.
- No. of contacts (020 : 20pins)
- Housing material (02 : PBT resin)
- UL grade (0 : UL94V-0)
- Contact plating
(A : Gold, I : Tin reflow plating)
- Contact pin plating thickness
(G : Gold plating 0.3μ, I : Tin reflow plating 1μm)
- Contact style (B : Angle)
- Accessories (A : None)
- Accessories (A : None)
- Shield case flange (A : without, B : with)

SPECIFICATIONS

ELECTRICAL CHARACTERISTICS

Rated Voltage	14V DC
Rated Current	1A
Withstanding Voltage	500V AC (rms) 1minute
Insulation Resistance	100MΩ min. (at 500V DC)
Contact Resistance	30mΩ max.

MECHANICAL CHARACTERISTICS

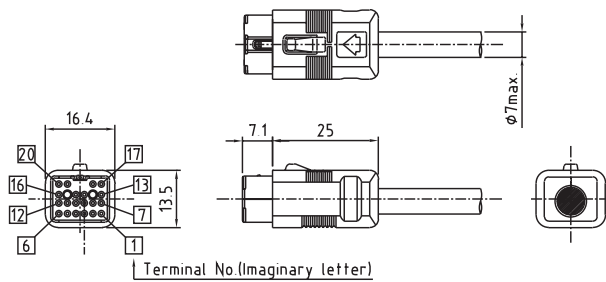
Life (Matching Cycle)	200 times
Total Insertion Force	49N (5kgf) min.
Total Withdrawal Force	3~49N (0.3~5kgf)
Using Temperature Range	-30~+85°C

MATERIAL & FINISH

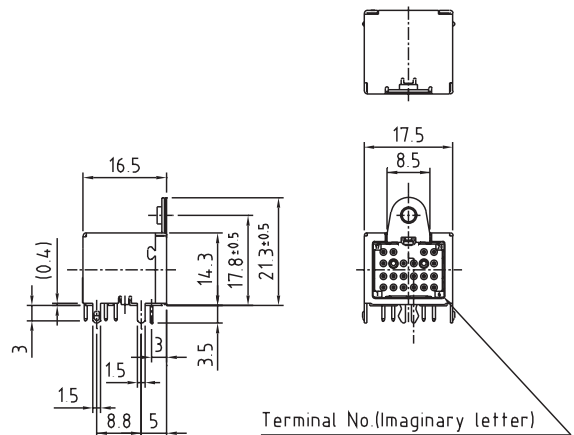
Component Parts		Material	Finish
IAM-C11, IAM-C84	Housing	PBT resin	—
	Contact	Copper Alloy	Gold plating (5,000 Times) Tin reflow plating (200 Times)
	Shielded Case	Steel	Nickel plating
	Case	PBT resin	—
	Locks	Copper Alloy	Nickel plating
	Cord Clamper	Aluminum	—
CAM-C12	Housing	PBT resin	—
	Contact	Copper Alloy	Gold plating (5,000 Times) Tin reflow plating (200 Times)
	Shielded Case	Copper Alloy	Tin reflow plating
	Shielded Cover	Steel	Tin plating

DIMENSIONS

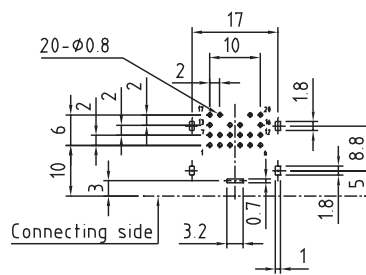
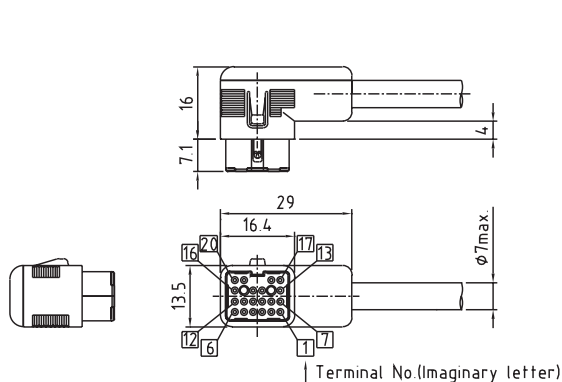
IAM-C11 (20pins)



CAM-C12 (20pins)



IAM-C84 (20pins)



REFERENCE P.C BOARD LAYOUT
(P.C BOARD t=1.6)