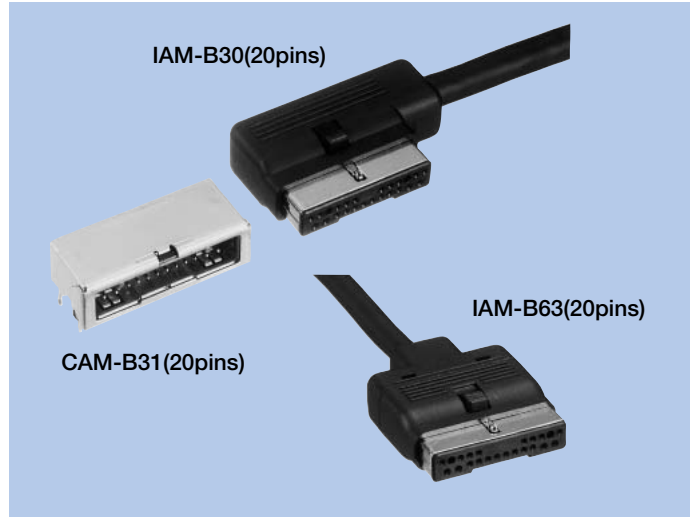


Rectangular Connectors IAM-B30, B63, CAM-B31 Series

FEATURES

1. IAM-B30 is an angle type rectangular connector, with 20 pins and 22 pins, IAM-B63 is a straight connector.
2. Push type with one-touch lock mechanism and Shield type.
3. Cable assy's type IAM-B30 is applicable to standard cable diameter $\phi 6$, $\phi 7$ mm, while PCB mount type CAM-B31 is applicable to the standard substrate of 1.6mm in thickness.
4. IAM-B63 has a power supply pin. The 20 pin connectors also have guide pins.
5. Also available with coupling/decoupling cycle life of up to 5,000 times. (20 pins only)



HOW TO ORDER

1. IAM-B30 Series (Cable Ass'y)

B30 - -

1 2 3

- 1 Series No. (B30)
- 2 No. of contacts (020 : 20pins, 022 : 22pins)
- 3 Product Specifications
(0934A : 20pins, 0935A : 22pins)

2. IAM-B63 Series (Cable Ass'y)

B63 - -

1 2 3

- 1 Series No. (B63)
- 2 No. of contacts (020 : 20pins, 022 : 22pins)
- 3 Product Specifications
(1087A : 20pins, 1963A : 22pins)

3. CAM-B31 Series (PCB Mount Type)

B31 - - **02** **0** - **IHBAAA** -

1 2 3 4 5 6

- 1 Series No. (B31)
- 2 No. of contacts (020 : 20pins, 022 : 22pins)
- 3 Housing Material (02 : PBT resin)
- 4 UL Grade (0 : UL 94V-0)
- 5 Supplementary symbol
- 6 Shield case flange (A : without, B : with)

SPECIFICATIONS

ELECTRICAL CHARACTERISTICS

Rated Voltage	30V DC
Rated Current	Signal terminal : 1A (Power supply terminal : 4A)
Withstanding Voltage	500V AC (rms) 1minute
Insulation Resistance	100MΩ min. (at 500V DC)
Contact Resistance	30mΩ max.

MECHANICAL CHARACTERISTICS

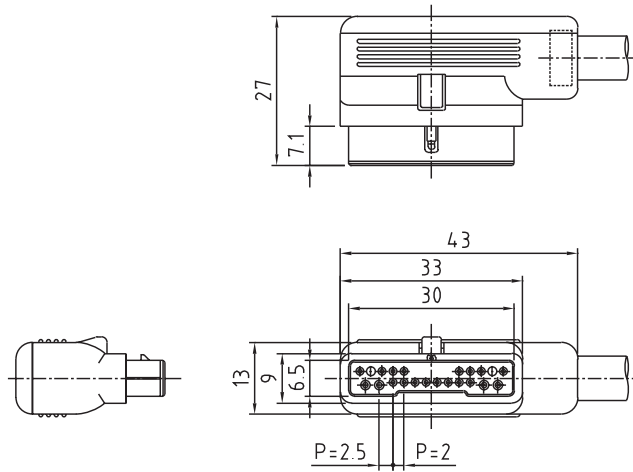
Life (Matching Cycle)	200 times
Total Insertion Force	69N (7kgf) max.
Total Withdrawal Force	3~69N (0.3~7kgf) max.
Total Withdrawal Force (B63)	3~69N (0.3~7kgf)
Using Temperature Range	-30~+85°C

MATERIAL & FINISH

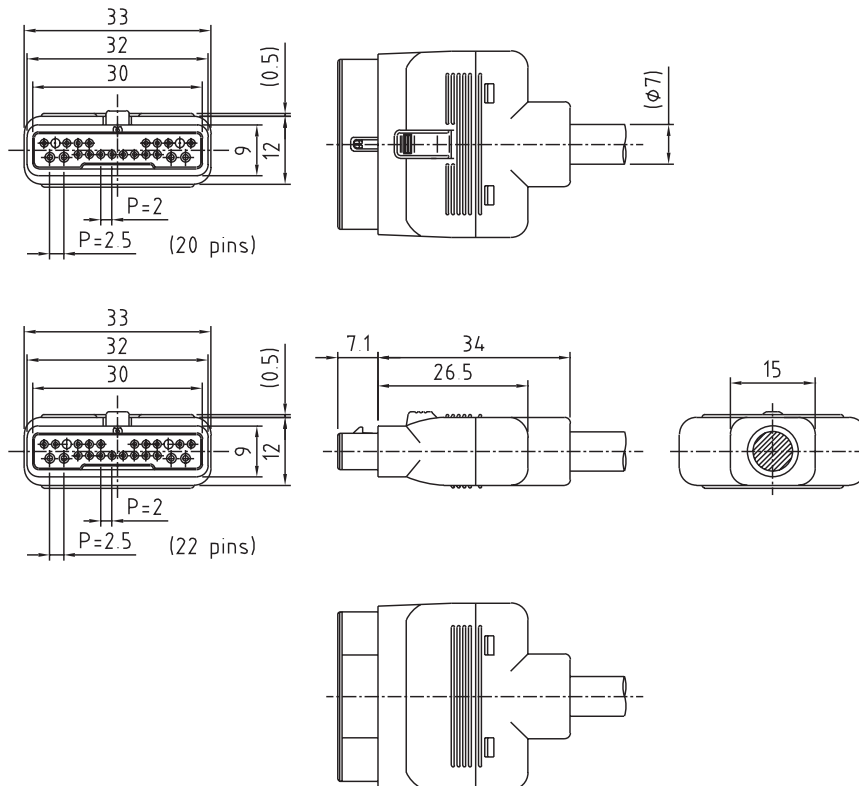
Component Parts		Material	Finish
IAM-B30 Series	Housing	Glass filled PBT resin	—
	Contact	Copper Alloy	Tin reflow plating
	Upper Shielded Case	Steel	Nickel plating
	Lower Shielded Case	Steel	Nickel plating
	Cover	Glass filled PBT resin	—
	Top Cover	Glass filled PBT resin	—
	Board Lock	Copper Alloy	Nickel plating
	Cord Clamper	Aluminum	—
IAM-B63 Series	Socket Housing	PBT resin	—
	Socket Contact	Copper Alloy	Tin reflow plating
	Shielded Case	Steel	Nickel plating
	Cover	PBT resin	—
	Lock	Copper Alloy	Nickel plating
	Cord Clamper	Aluminum	—
CAM-B31 Series	Housing	Glass filled PBT resin	—
	Contact	Copper Alloy	Tin reflow plating
	Inner Shielded Case	Copper Alloy	Tin reflow plating
	Outer Shielded Case	Steel	Tin plating
	Guide Pin	Stainless	—

DIMENSIONS

IAM-B30 Series (20 pins)



IAM-B63 Series (20 pins)



CAM-B31 Series (20 pins)

