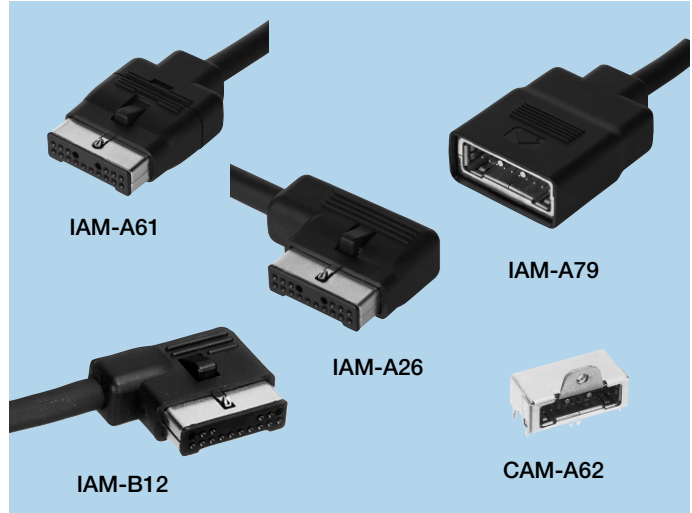


Rectangular Connectors

IAM-A61, B12, A26, A79, CAM-A62

FEATURES

1. 2mm pitch connector of 16-pole type to be used between a board and a cable.
2. Provided with a lock mechanism that permits a secure connection.
3. A guide pin is adopted to protect the receptacle-side terminal at fitting.
4. On the receptacle side, a shield case with a double structure is adopted in consideration of EMI.



HOW TO ORDER

1. Cable

A61 - 016 - □□□□□
 1 2 3

- 1 Series No. (A61 : Straight, B12 : Right Angle, A26 : Left Angle, A79 : Straight type for relay)
- 2 No. of contacts (016 : 16pins, 014 : 14pins)
- 3 Number of specification

2. Receptacle

A62 - 016 - □□□□□
 1 2 3

- 1 Series No. (A62 : Angle PTH type)
- 2 No. of contacts (016 : 16pins, 014 : 14pins)
- 3 Number of specification

• Any products mentioned in this catalog are subject to any modification in their appearance and others for improvements without prior notification.
 • The details listed here are not a guarantee of the individual products at the time of ordering. When using the products, you will be asked to check their specifications.

SPECIFICATIONS

ELECTRICAL CHARACTERISTICS

Rated Voltage	30V DC
Rated Current	1A
Withstanding Voltage	500V AC (rms) 1minute
Insulation Resistance	100MΩ min. (500V DC)
Contact Resistance	30mΩ max.

MECHANICAL CHARACTERISTICS

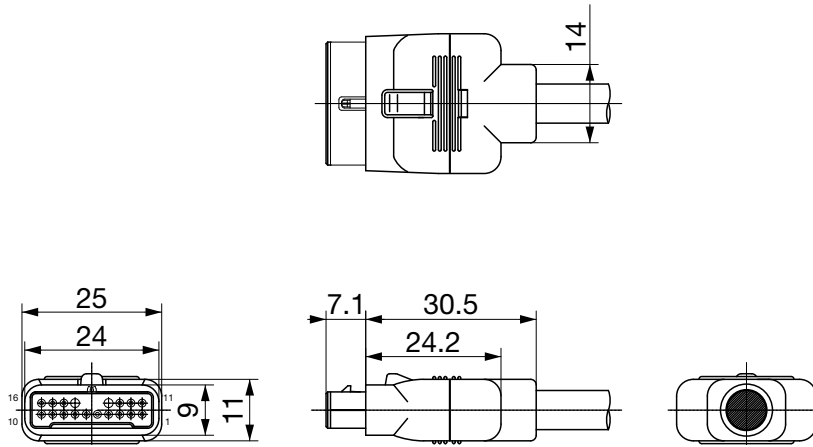
Life (Matching Cycle)	200 times
Total Insertion Force	49N max.
Total Withdrawal Force	3~49N max.
Using Temperature Range	-30~+85°C

MATERIAL & FINISH

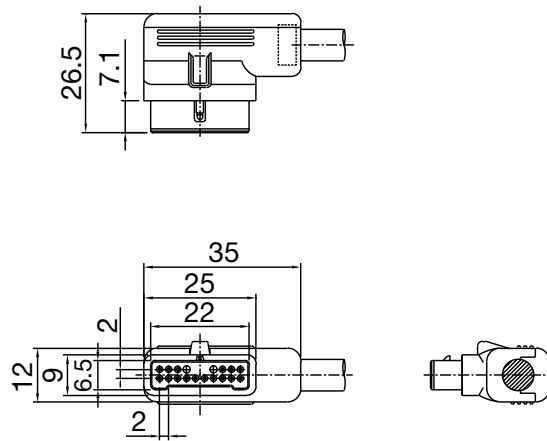
Component Parts		Material	Finish
IAM-A61, B12, A26, A79 Cable Type	Housing	PBT resin	-
	Contact Pin	Copper alloy	Tin reflow plating
	Shield Case	Steel	Nickel plating
	Cover	PBT resin	-
	Locks	Copper alloy	Nickel plating
	Cord Clamper	Aluminum	-
CAM-A62 Receptacle	Housing	PBT resin	-
	Contact Pin	Copper alloy	Tin reflow plating
	Inner Shielded Case	Copper alloy	Tin reflow plating
	Outer Shielded Case	Steel	Tin reflow plating
	Guide Pin	Stainless	-

DIMENSIONS

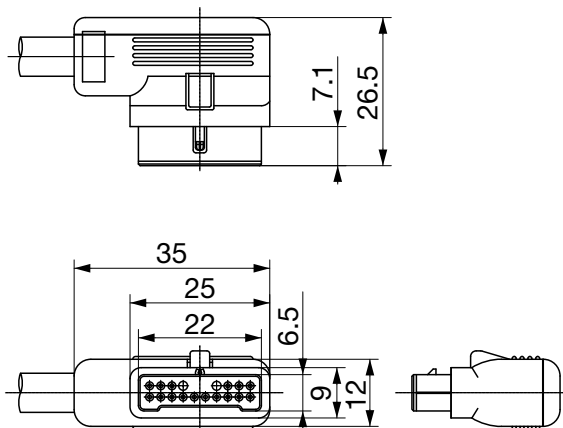
IAM-A61



IAM-B12

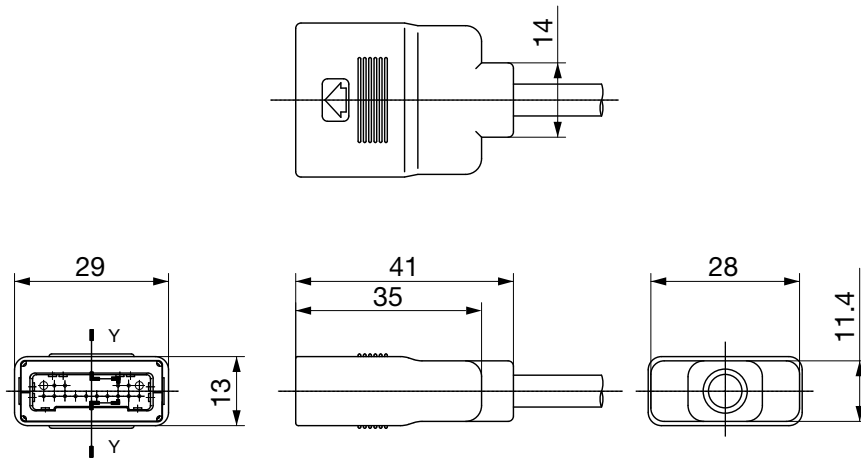


IAM-A26



Unit : mm

IAM-A79



CAM-A62 Series

