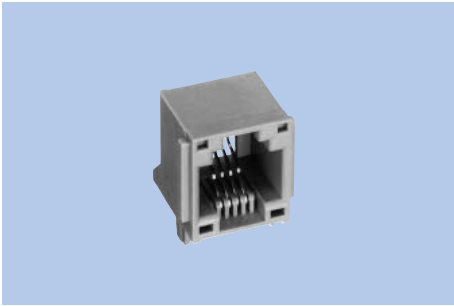
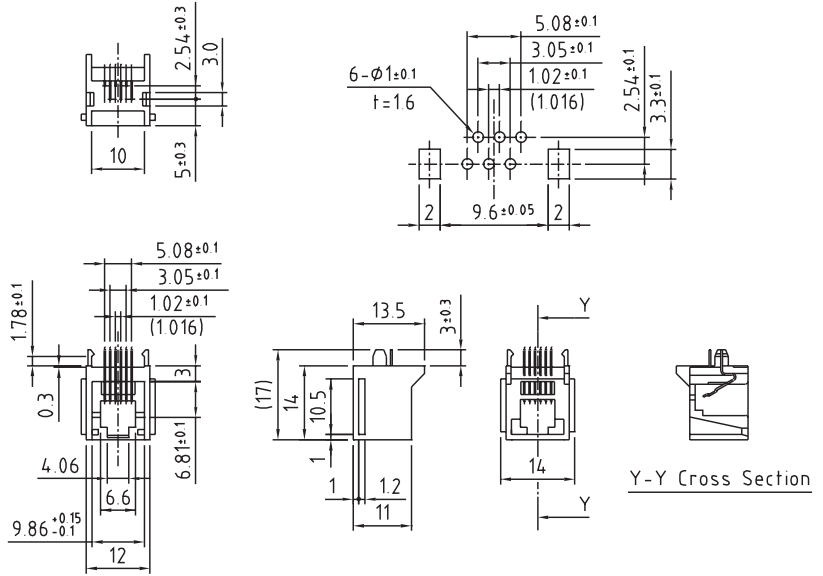


DIP SOLDER TYPE CSK-290E, 623-0□-235-1



For 6 contacts
low profile type



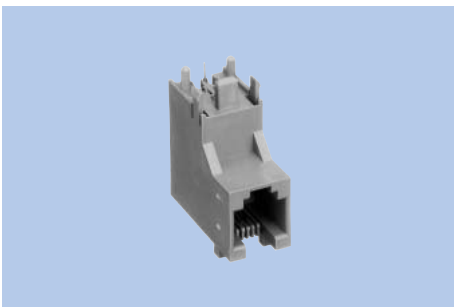
HOW TO ORDER

623-0□-235-1
1 2 3 4

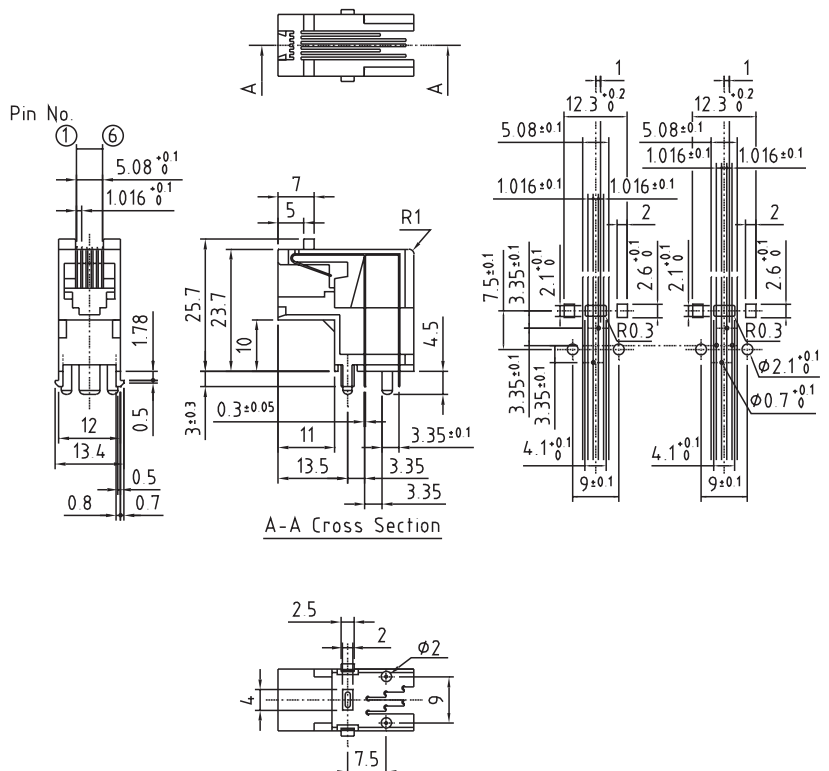
- 1 Shape
- 2 No. of contacts
(02 : 2pins, 04 : 4pins, 06 : 6pins)
- 3 Product Specifications
- 4 Running No. assigned by us

Unit : mm

DIP SOLDER TYPE CSK-290L, 623-6□-935



For 6 contacts
L type



HOW TO ORDER

623-6□-935
1 2 3

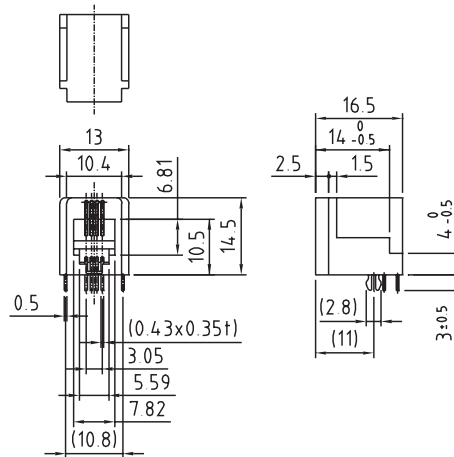
- 1 Shape
- 2 No. of contacts
(62 : 2pins, 64 : 4pins, 66 : 6pins)
- 3 Product Specifications

Unit : mm

DIP SOLDER TYPE CSB-290A, 290A-4□-3□-235



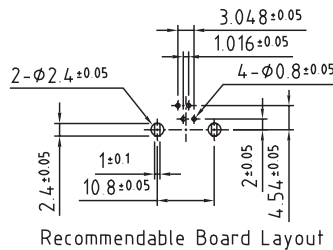
4 PINS TYPE



HOW TO ORDER

290A-4□-3□-235
 1 2 3 4

- 1 Series No.
- 2 No. of contacts
(42 : 2pins, 44 : 4pins)
- 3 Housing color
(30 : black, 31 : gray, 32 : ivory)
- 4 Product Specifications

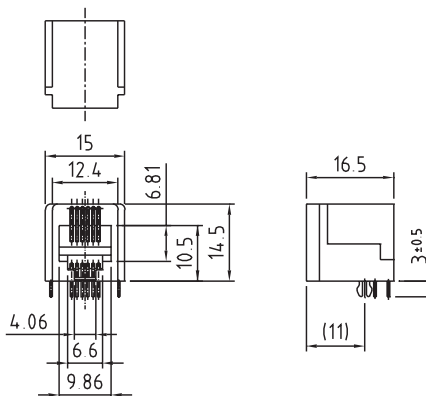


Unit : mm

DIP SOLDER TYPE CSB-290A, 290A-6□-3□-435



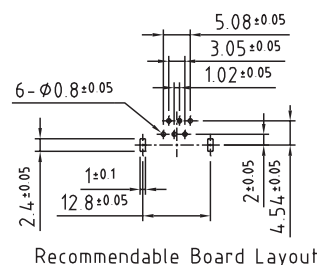
6 PINS RT. ANGLE TYPE



HOW TO ORDER

290A-6□-3□-435
 1 2 3 4

- 1 Series No.
- 2 No. of contacts
(62 : 2pins, 64 : 4pins, 66 : 6pins)
- 3 Housing color
(30 : black, 31 : gray, 32 : ivory)
- 4 Product Specifications

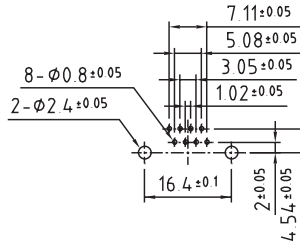
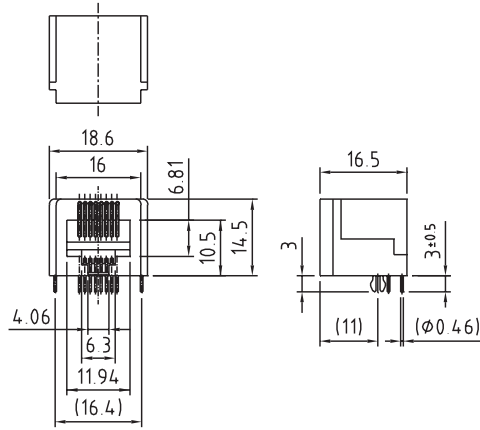


Unit : mm

DIP SOLDER TYPE CSB-290A, 290A-8□-3□-335



8 PINS RT.ANGLE TYPE



Recommendable Board Layout

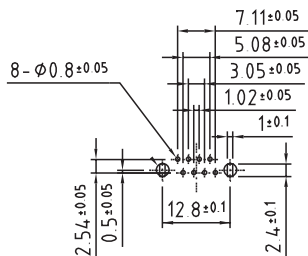
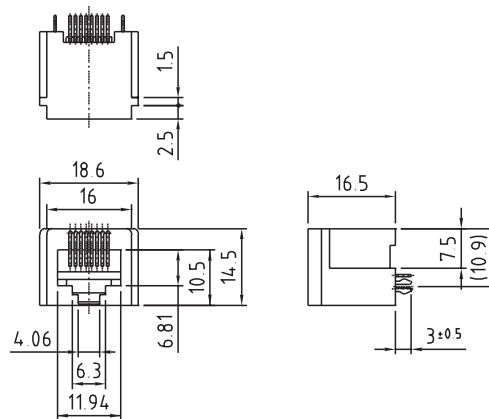
Unit : mm

HOW TO ORDER

290A-8□-3□-335
 1 2 3 4

- 1 Series No.
- 2 No. of contacts
 (82 : 2pins, 84 : 4pins, 86 : 6pins, 88 : 8pins)
- 3 Housing color (30 : black, 31 : gray)
- 4 Product Specifications

DIP SOLDER TYPE CSB-290A, 290A-8□-3□-119



Recommendable Board Layout

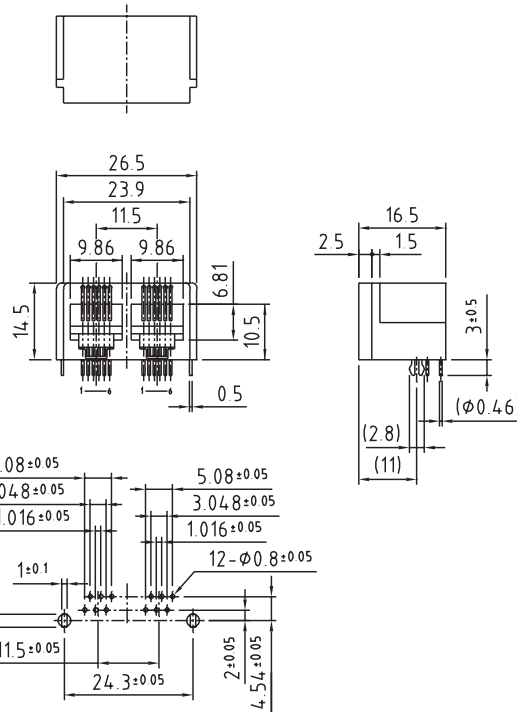
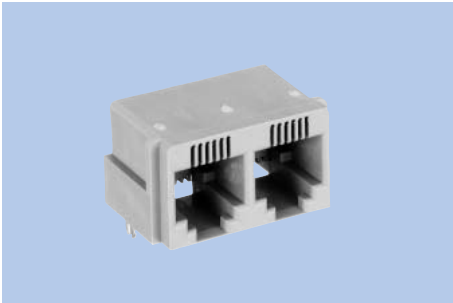
Unit : mm

HOW TO ORDER

290A-8□-3□-119
 1 2 3 4

- 1 Series No.
- 2 No. of contacts
 (82 : 2pins, 84 : 4pins, 86 : 6pins, 88 : 8pins)
- 3 Housing color (30 : black, 31 : gray)
- 4 Product Specifications

DIP SOLDER TYPE CSB-290N, 290N-6□-6□-3□-235



HOW TO ORDER

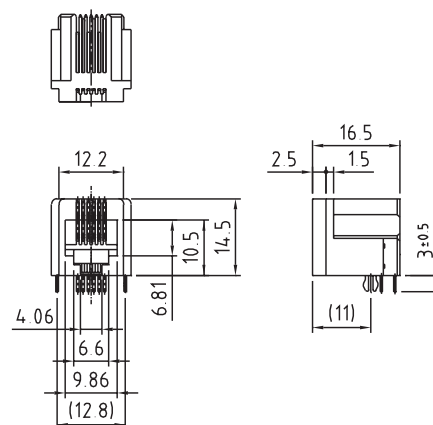
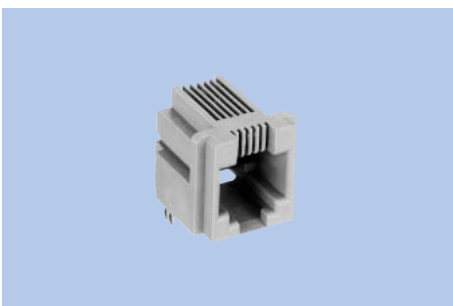
290N-6□-6□-3□-235
 1 2 3 4 5

- 1 Series No.
- 2 No. of contacts (left)
(62 : 2pins, 64 : 4pins, 66 : 6pins)
- 3 No. of contacts (right)
(62 : 2pins, 64 : 4pins, 66 : 6pins)
- 4 Housing color (30 : black, 31 : gray)
- 5 Product Specifications

Recommendable Board Layout

Unit : mm

DIP SOLDER TYPE CTM-A36, A36-006-4910□



HOW TO ORDER

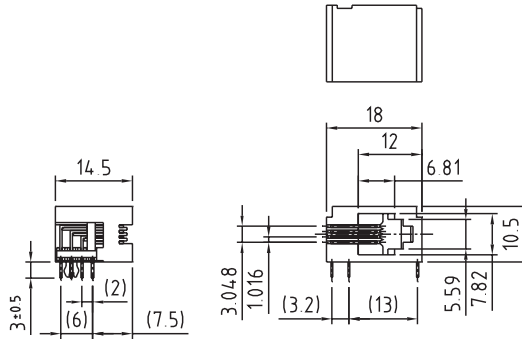
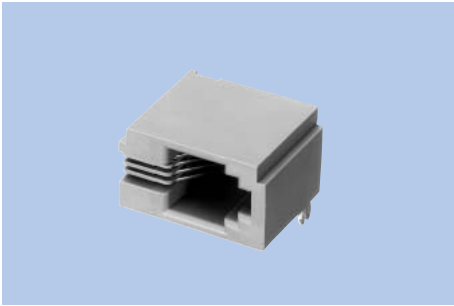
A36-006-4910 □
 1 2 3 4

- 1 Series No.
- 2 No. of contacts (006 : 6pins)
- 3 Running No. assigned by us
- 4 Housing color (A~J)

	Color	No. of Contact
A	Gray	2
B	Gray	4
C	Gray	6
D	Ivory	2
E	Ivory	4
F	Ivory	6
G	Black	2
H	Black	4
J	Black	6

Unit : mm

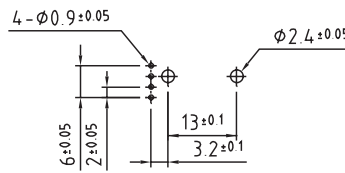
DIP SOLDER TYPE CTM-A85, A85-004-0411 □



HOW TO ORDER

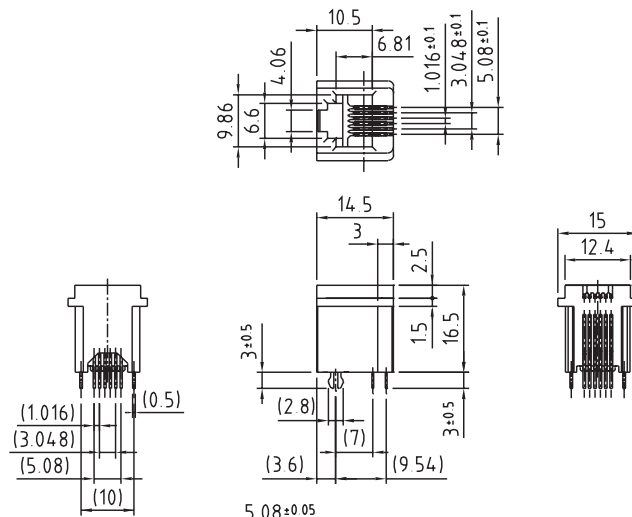
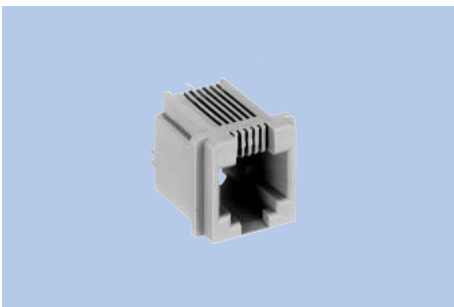
A85-004-0411 □
 1 2 3 4

- 1 Series No.
- 2 No. of contacts (004 : 4pins)
- 3 Running No. assigned by us
- 4 Housing color
 (B : gray, D : ivory, F : black)



Unit : mm

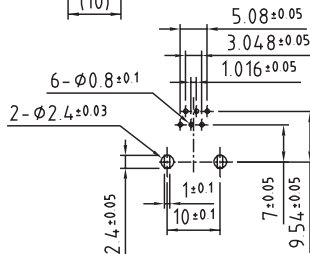
DIP SOLDER TYPE CTM-B65, B65-006-1396 □



HOW TO ORDER

B65-006-1396 □
 1 2 3 4

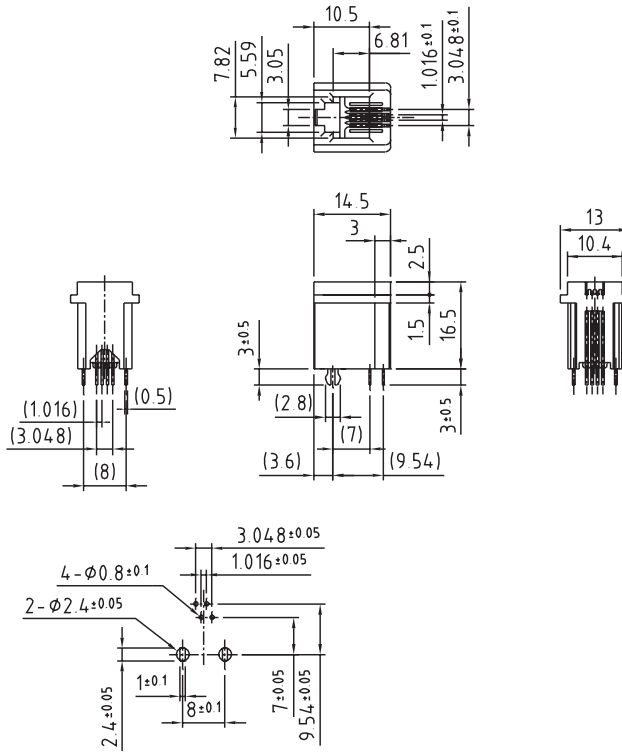
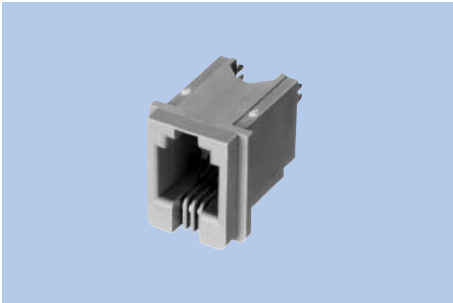
- 1 Series No.
- 2 No. of contacts (006 : 6pins)
- 3 Running No. assigned by us
- 4 Housing color (A~F)



	Color	No. of Contact
A	Gray	2
B	Gray	4
C	Gray	6
D	Black	2
E	Black	4
F	Black	6

Unit : mm

DIP SOLDER TYPE CTM-B66, B66-004-1465 □



HOW TO ORDER

B66-004-1465 □
 1 2 3 4

- 1 Series No.
- 2 No. of contacts (004 : 4pins)
- 3 Running No. assigned by us
- 4 Housing color (A~D)

	Color	No. of Contact
A	Gray	2
B	Gray	4
C	Black	2
D	Black	4

Unit : mm