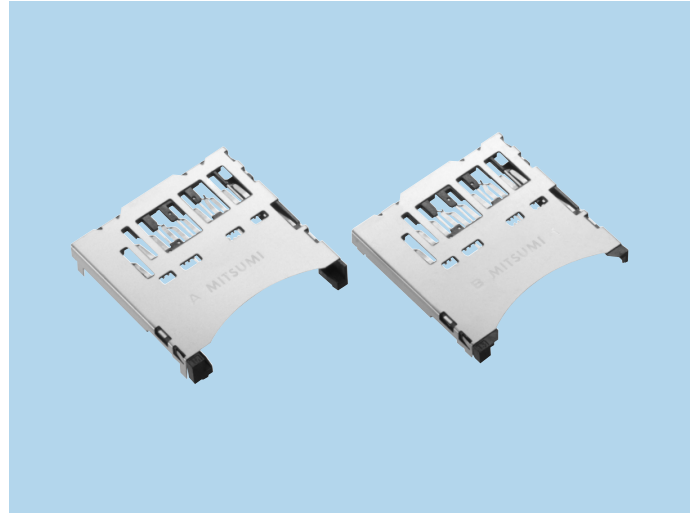


SD Memory Card Connectors CIM-J57R, J58R

OUTLINE

1. Push-in Push-out ejection mechanism of Reverse mount Type.
2. Smallest class in the world (width 26.85mm)
3. Connector have two Card Detect switches to have high reliability. CD switch and WP switch are Normally open type.
4. Reinforcement of GND for EMI.
5. Terminal & Switch read layout is single row to progress flexibility of circuit layout.



SPECIFICATIONS

ELECTRICAL CHARACTERISTICS

Rated Voltage	AC 50V(rms)
Rated Current	0.5A
Withstanding Voltage	500V AC (rms) 1minute
Insulation Resistance	1000MΩ min. (at 500V DC)
Contact Resista	Contact 100mΩ max.
	Switch 250mΩ max.

MECHANICAL CHARACTERISTICS

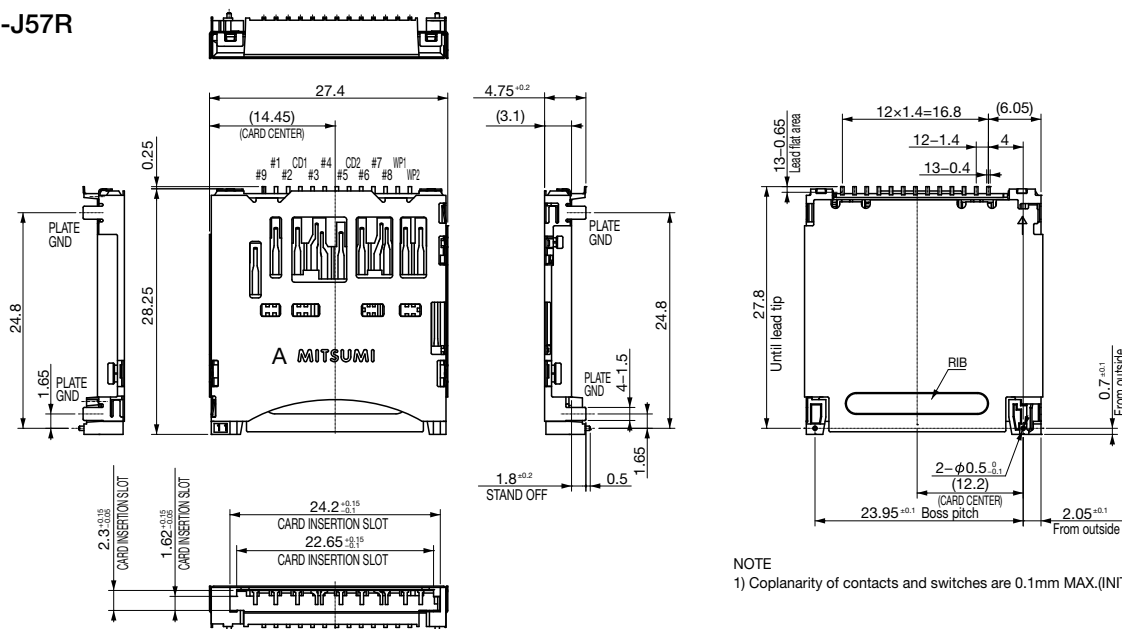
Life (Matching Cycle)	10,000 times
Card Insertion Force	4.9N (0.5kgf)~9.8N (1kgf)
Eject Force	4.9N (0.5kgf)~9.8N (1kgf)
Using Temperature Range	-20~+90°C

MATERIAL & FINISH

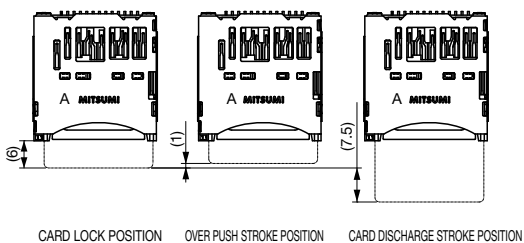
Component Parts	Material	Finish
Housing	LCP resin	Black
Contact	Copper Alloy	Gold Plating
Switch	Copper Alloy	Gold Plating
Plate	SUS	Ni Plating
Slider	LCP resin	Black
Coil Spring	SUS	-
Lock Pin	SUS	-

DIMENSIONS

CIM-J57R



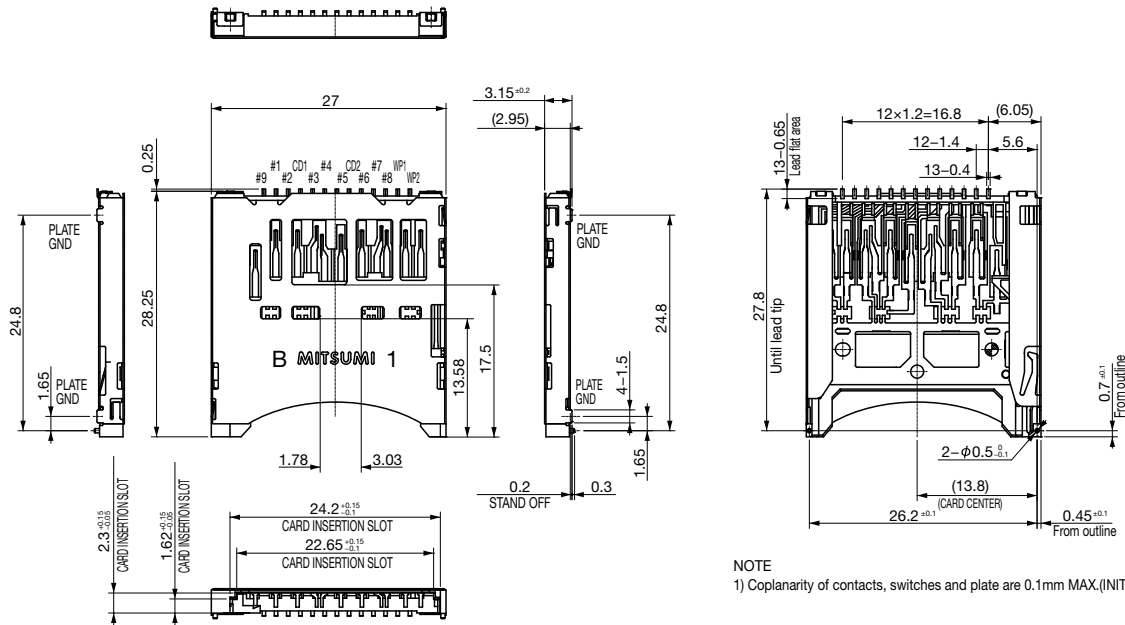
NOTE
1) Coplanarity of contacts and switches are 0.1mm MAX.(INITIAL)



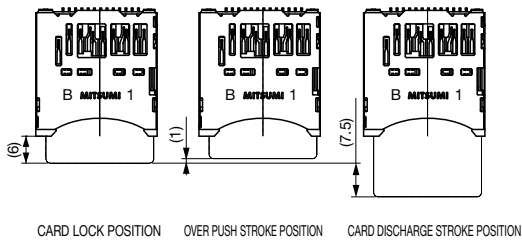
Unit : mm

• Any products mentioned in this catalog are subject to any modification in their appearance and others for improvements without prior notification.
• The details listed here are not a guarantee of the individual products at the time of ordering. When using the products, you will be asked to check their specifications.

CIM-J58R



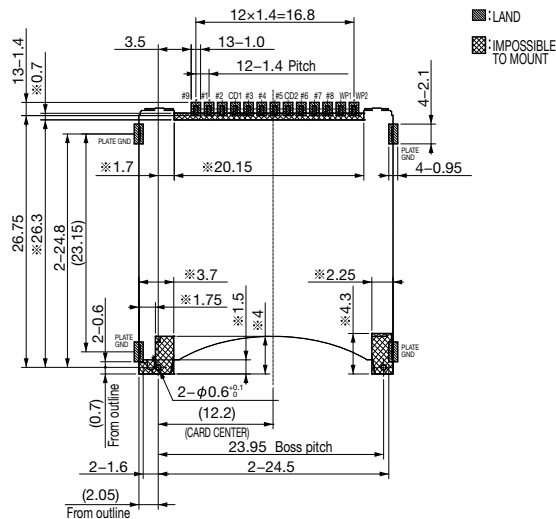
NOTE
1) Coplanarity of contacts, switches and plate are 0.1mm MAX.(INITIAL)



CARD LOCK POSITION OVER PUSH STROKE POSITION CARD DISCHARGE STROKE POSITION

Recommended PWB layout

CIM-J57R

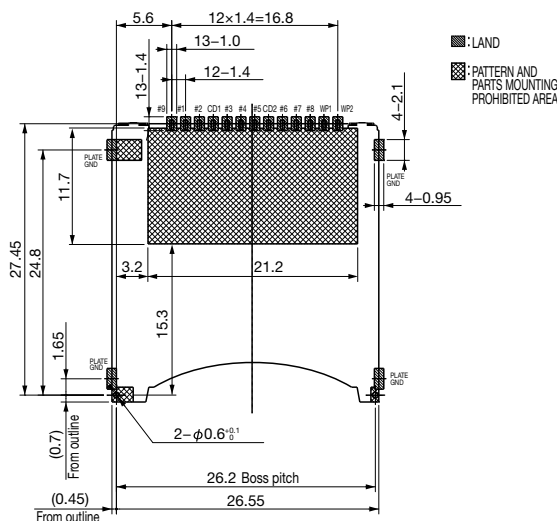


* mark are the dimensions that impossible to mount.

RECOMMENDED PWB LAYOUT(NTS)±0.05

The surface of the PWB where the connector is mounted recommends the resist processing

CIM-J58R



RECOMMENDED PWB LAYOUT(NTS)±0.05

The surface of the PWB where the connector is mounted recommends the resist processing

Unit : mm

• Any products mentioned in this catalog are subject to any modification in their appearance and others for improvements without prior notification.
 • The details listed here are not a guarantee of the individual products at the time of ordering. When using the products, you will be asked to check their specifications.