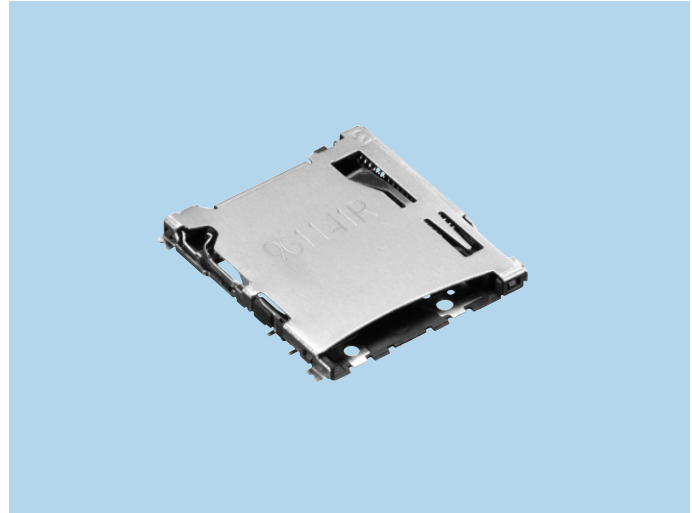


microSD Memory Card Connectors

CIM-H75N2

OUTLINE

1. Push-in Push-out ejection format
Card exposure 3.8 mm
2. Miniature, low-profile design.
Normal mount type:
Height 1.40 mm, width 13.7 mm, depth 15.3 mm
3. Includes function to prevent card popping out.
4. Built-in card detection switch
(normally open type)
5. RFID terminal included.



SPECIFICATIONS

ELECTRICAL CHARACTERISTICS

Rated Voltage	DC 10V
Rated Current	0.5A
Withstanding Voltage	500V AC (rms) 1minute
Insulation Resistance	1000MΩ min. (Initial value)
Contact Resista	100MΩ max. (Initial value)

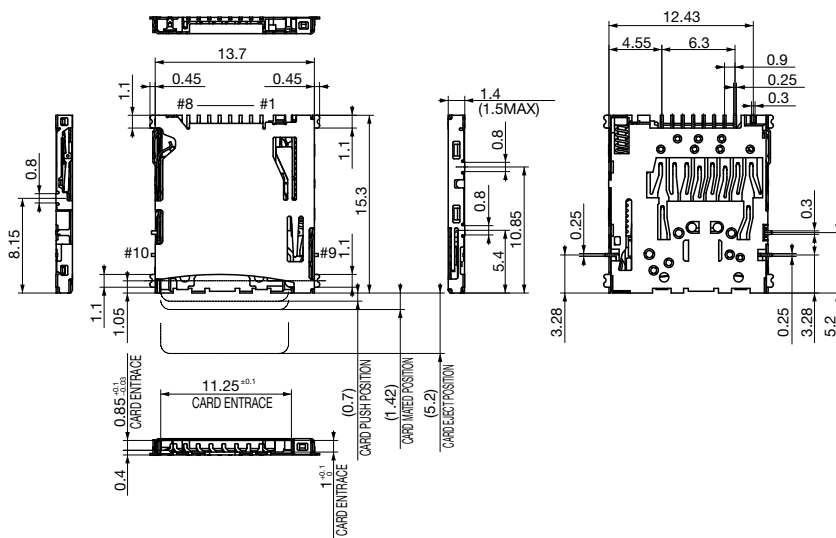
MECHANICAL CHARACTERISTICS

Life (Matching Cycle)	10,000 times
Card Insertion Force	4.5N~7.5N
Eject Force	4.5N~7.5N
Using Temperature Range	-30~+70°C

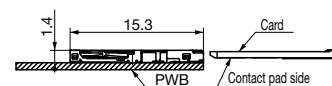
MATERIAL & FINISH

Component Parts	Material	Finish
Housing	LCP resin	Black
Contact	Copper Alloy	Gold plating
CD Switch Vss	Copper Alloy	Gold plating
CD Switch Vdd	Copper Alloy	Gold plating
Plate	SUS	Gold plating
Slider	LCP resin	Black
Coil Spring	SUS	-
Lock Pin	SUS	-

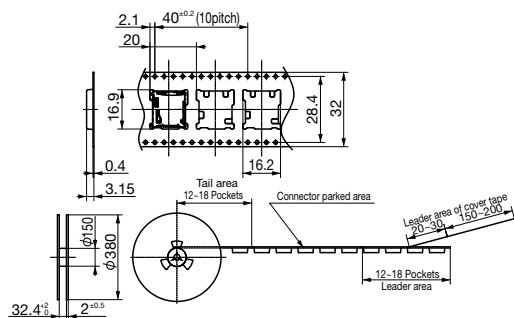
DIMENSIONS



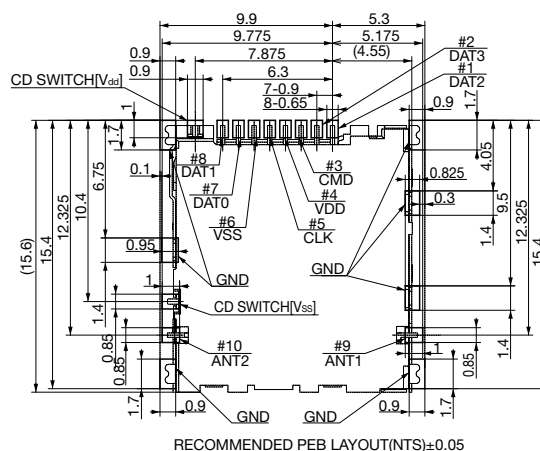
Board installation condition



Packing specification



Recommended PWB layout



RECOMMENDED PWB LAYOUT(NTS)±0.05