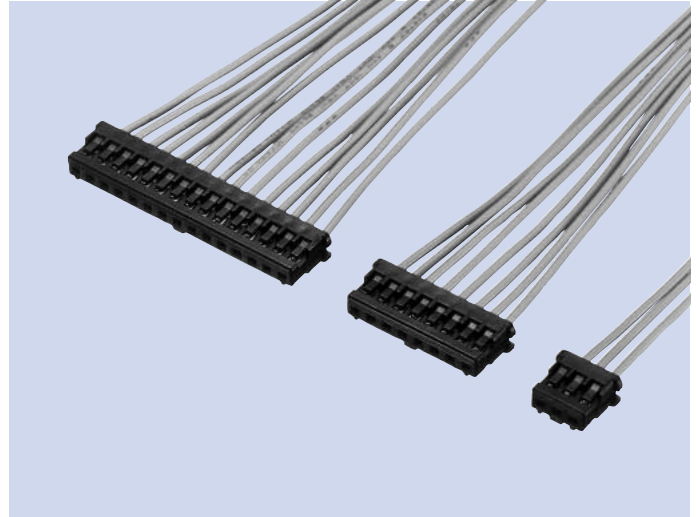


2.5mm Density, Crimp Type Socket Connectors CC-M63 Series

FEATURES

M63 Series crimp type socket connector will mate with M60 Series plug connectors and M61 Series crimp type inter-connect plug connector. You can order this connectors with wire assembled per your specification.



SPECIFICATIONS

ELECTRICAL CHARACTERISTICS & MECHANICAL CHARACTERISTICS

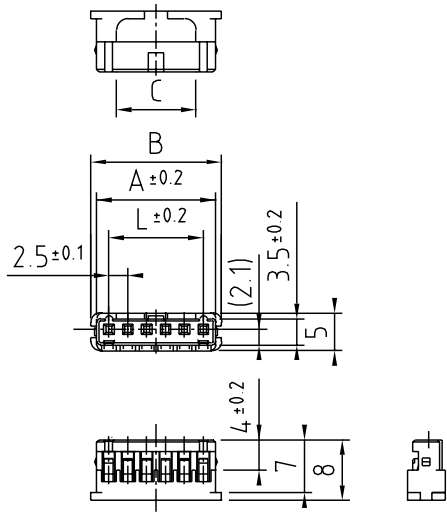
Rated Voltage	500V AC (rms)
Rated Current	3A
Withstanding Voltage	1,000V AC (rms) 1minute
Insulation Resistance	500MΩ min. (at 500V DC)
Operating Temperature	-25~+80°C
Applicable Wire Size	AGW#22~28
Crimping Machine	Manual : Type H4-M63 MNT stripper crimper machine

MATERIAL & FINISH

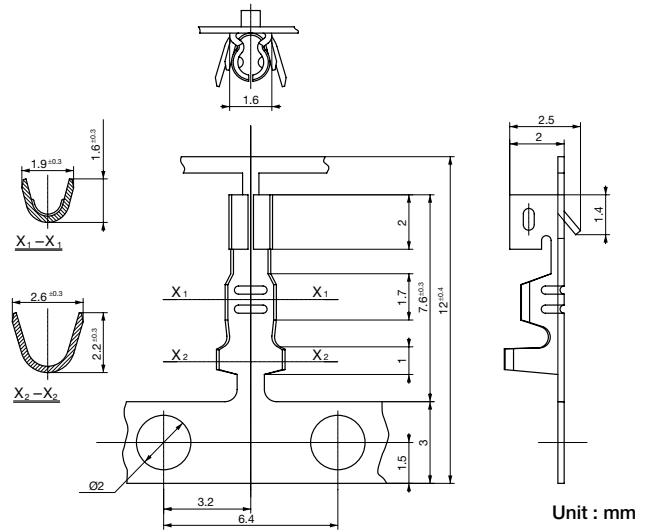
Component Parts	Material	Finish
Housing	PBT resin	—
Contact	Copper Alloy	Tin Reflow Plating

DIMENSIONS

Socket Insulator



Contact shape



No. of Contacts	Part No.	Measurement			
		L	A	B	C
2	M63M83-02	2.5	5.7	7.3	—
3	M63M83-03	5	8.2	9.8	3
4	M63M83-04	7.5	10.7	12.3	5.5
5	M63M83-05	10	13.2	14.8	8
6	M63M83-06	12.5	15.7	17.3	10.5
7	M63M83-07	15	18.2	19.8	13
8	M63M83-08	17.5	20.7	22.3	15.5
9	M63M83-09	20	23.2	24.8	18
10	M63M83-10	22.5	25.7	27.3	20.5
11	M63M83-11	25	28.2	29.8	23
12	M63M83-12	27.5	30.7	32.3	25.5
13	M63M83-13	30	33.2	34.8	28
14	M63M83-14	32.5	35.7	37.3	30.5
15	M63M83-15	35	38.2	39.8	33

Part No.	Wire Size	Std. Shipping Qt' y
M63C84	AWG #26~28	10,000pcs/reel or
M63C84-1	AWG #22~24	50,000pcs/package