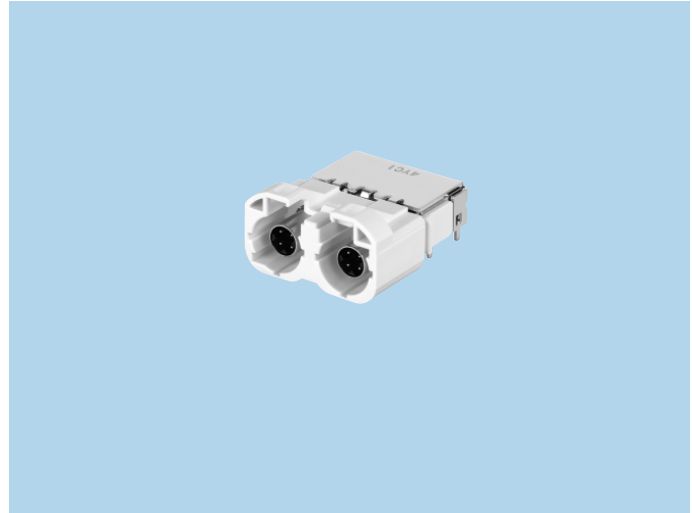


HSD Double CAM-K58

FEATURES

1. Capable of high speed data transmission such as USB2.0, LVDS, and Ethernet, etc.
2. Double HSD connector which is able to meet downsizing requirements.
3. Double 12.7mm is available.
4. Each coding (mating key) is available.
5. Compatible with Pin-in-Paste.
6. Compliant with RoHS Directive.



HOW TO ORDER

1. CAM-K58

K58 - **008** - **230** - **ANBAA** -

1 2 3

- 1 Series No. (K58)
- 2 No. of contacts (008 : 8pins)
- 3 Coding (A to F, Z)

SPECIFICATIONS

ELECTRICAL CHARACTERISTICS

Rated Voltage	100V DC
Rated Current	1.5A DC
Characteristic Impedance	100Ω
Insertion Loss	≤0.1dB to 1GHz
Return Loss	≤-20dB to 1GHz ≤-17dB to 2GHz

MECHANICAL CHARACTERISTICS

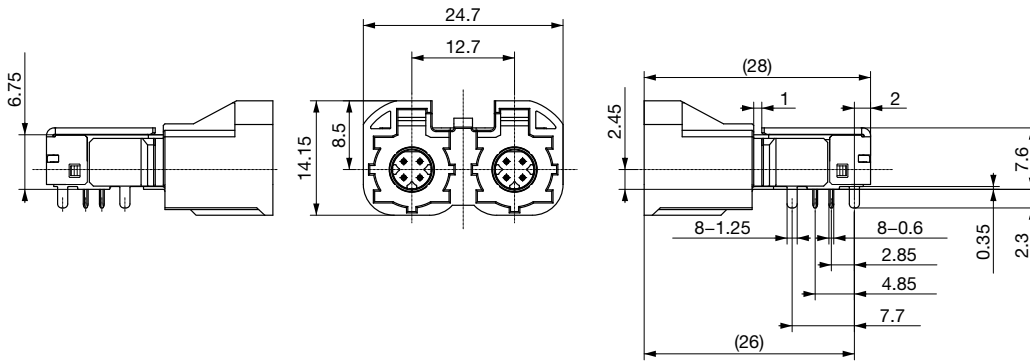
Life (Mating Cycle)	25 times
Total Insertion Force	≤60N
Total Withdrawal Force	5N to 60N

MATERIAL & FINISH

Component Parts		Material	Finish
CAM-K58 Right Angle HSD Double 12.7mm	Signal Pin	Copper alloy	Gold selective plating
	Housing	PA resin	Black
	Shell	Copper alloy	Ni plating
	Cover	PA resin	Corresponds to each coding
	Outer Contact	Copper alloy	Ni plating
	Shield Cover	Copper alloy	Ni plating

DIMENSIONS

CAM-K58



Unit : mm