

SPECIFICATIONS

ELECTRICAL CHARACTERISTICS

Rated Voltage	100V DC
Rated Current	1.5A DC
Characteristic Impedance	100Ω
Insertion Loss	≤0.1dB to 1GHz
Return Loss	≤-20dB to 1GHz ≤-17dB to 2GHz

MECHANICAL CHARACTERISTICS

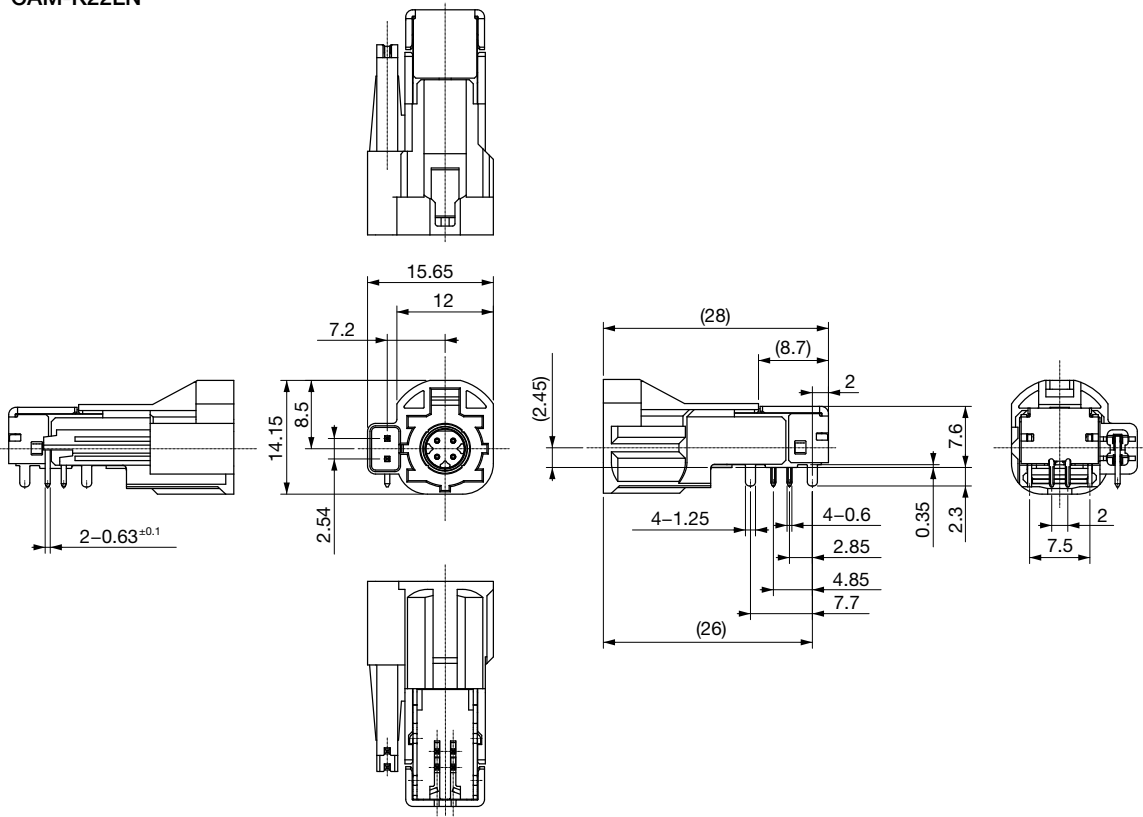
Life (Mating Cycle)	25 times
Total Insertion Force	≤60N
Total Withdrawal Force	5N to 60N

MATERIAL & FINISH

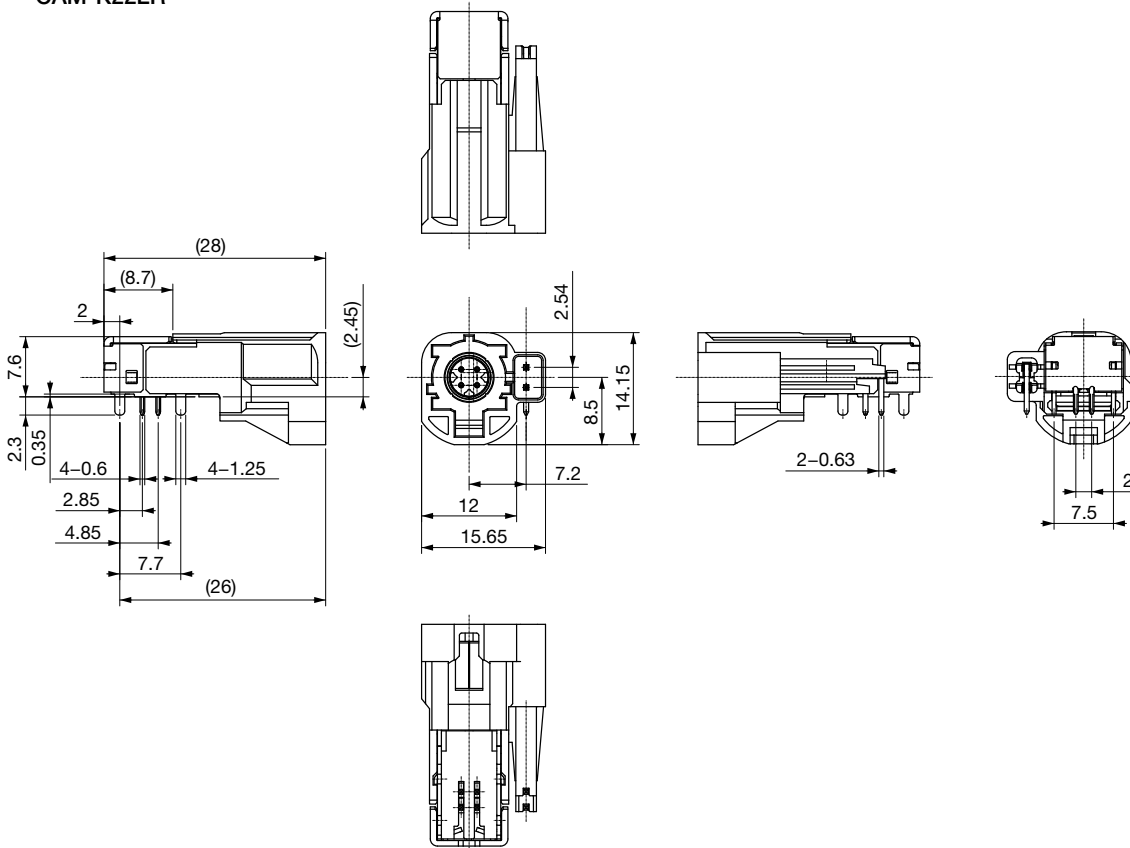
Component Parts		Material	Finish
CAM-K22 LN/LR HSD+2 Right Angle	Signal Pin	Copper alloy	Gold selective plating
	Signal Pin	Copper alloy	Gold selective plating
	Housing	PA resin	Black
	Shell	Copper alloy	Ni plating
	Cover	PA resin	Corresponds to each coding
	Outer Contact	Copper alloy	Ni plating
	Shield Cover	Copper alloy	Ni plating
CAM-K24 HSD+2 Straight	Signal Pin	Copper alloy	Gold selective plating
	Signal Pin	Copper alloy	Gold selective plating
	Housing	LCP resin	Black
	Shell	Zinc alloy	Ni plating
	Cover	PA resin	Corresponds to each coding
CAM-K72LN HSD+2 Right Angle	Signal Pin	Copper alloy	Gold selective plating
	Signal Pin	Copper alloy	Gold selective plating
	Housing	PA resin	Black
	Shell	Zinc alloy	Ni plating
	Cover	PA resin	Corresponds to each coding
	Outer Contact	Copper alloy	Ni plating
	Lid	Copper alloy	Ni plating
CAM-K83 HSD+4 Right Angle	Signal Pin	Copper alloy	Gold selective plating
	Signal Pin	Copper alloy	Gold selective plating
	Housing	PA resin	Black
	Shell	Zinc alloy	Ni plating
	Cover	PA resin	Corresponds to each coding
	Outer Contact	Copper alloy	Ni plating
CAM-K56 HSD+8 Right Angle	Signal Pin	Copper alloy	Gold selective plating
	Signal Pin	Copper alloy	Gold selective plating
	Housing	PA resin	Black
	Shell	Zinc alloy	Ni plating
	Cover	PA resin	Corresponds to each coding
	Outer Contact	Copper alloy	Ni plating

DIMENSIONS

CAM-K22LN



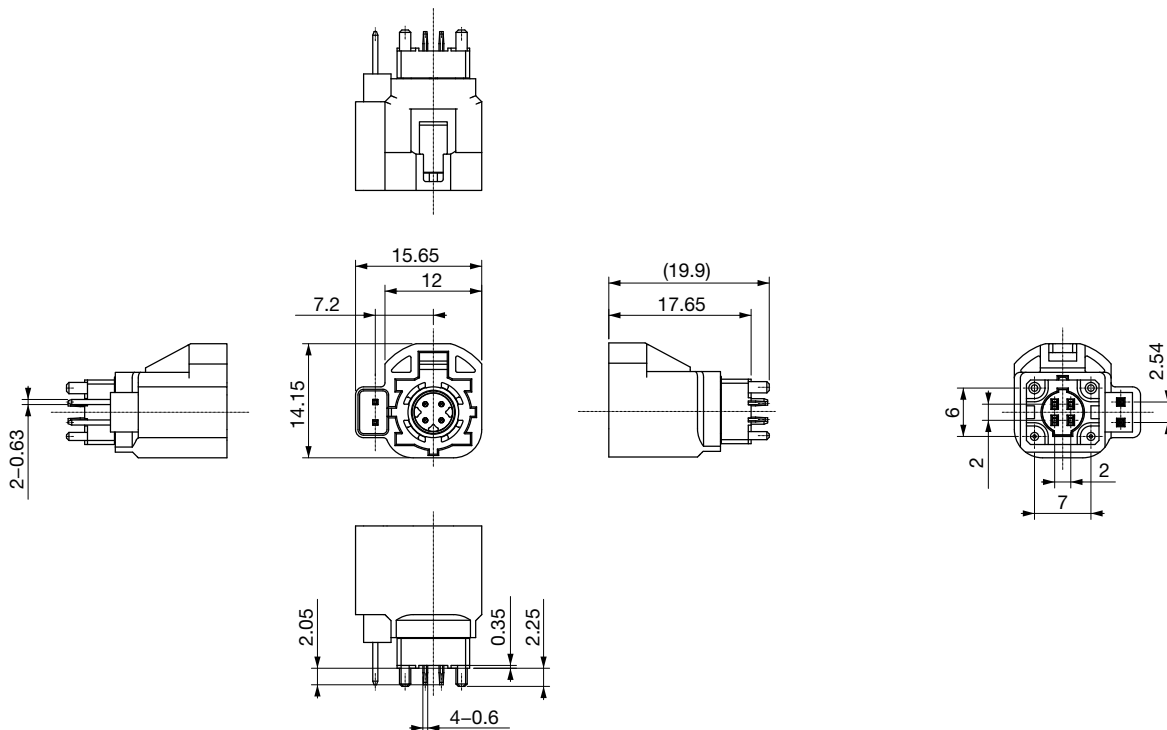
CAM-K22LR



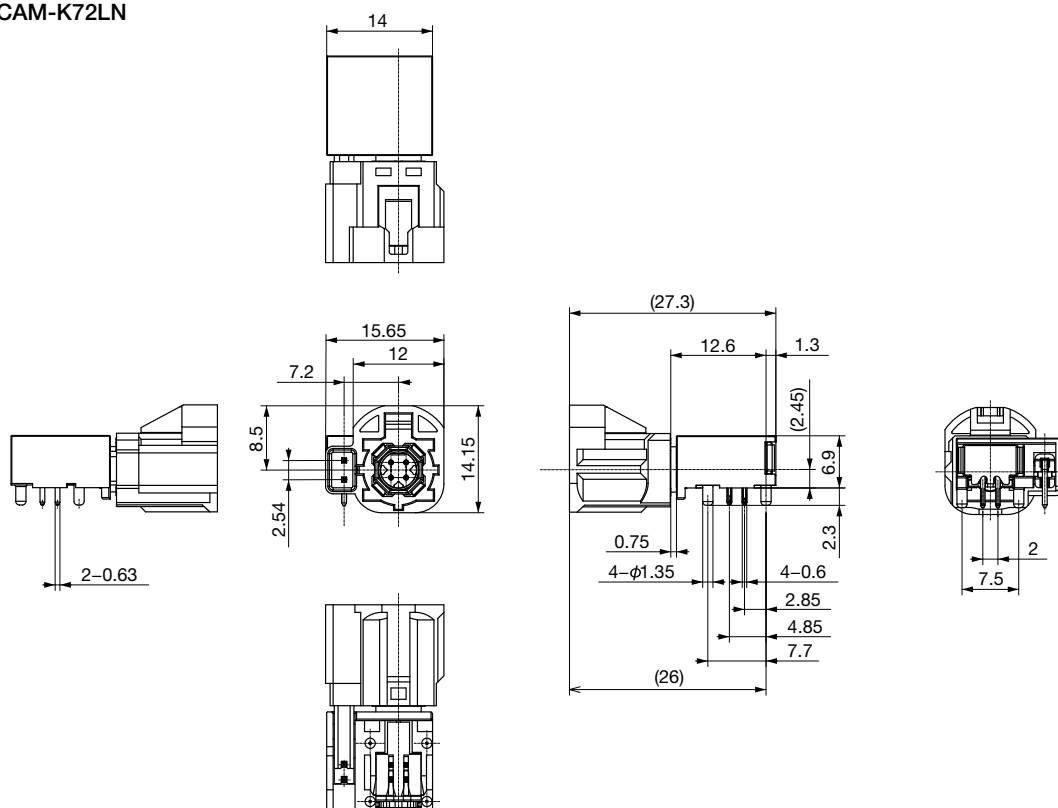
Unit : mm

• Any products mentioned in this catalog are subject to any modification in their appearance and others for improvements without prior notification.
 • The details listed here are not a guarantee of the individual products at the time of ordering. When using the products, you will be asked to check their specifications.

CAM-K24

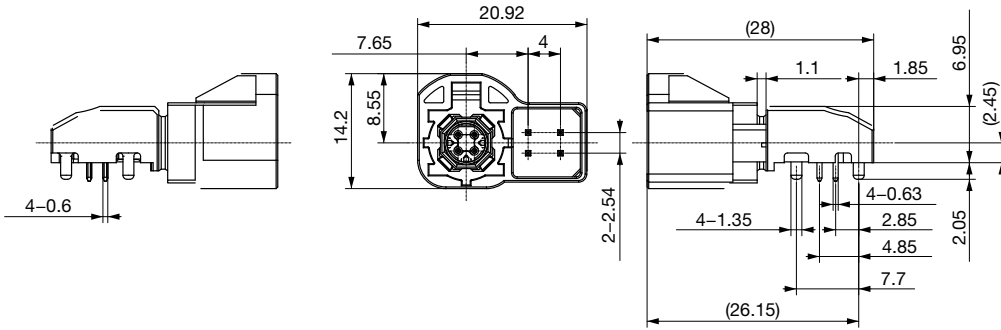


CAM-K72LN

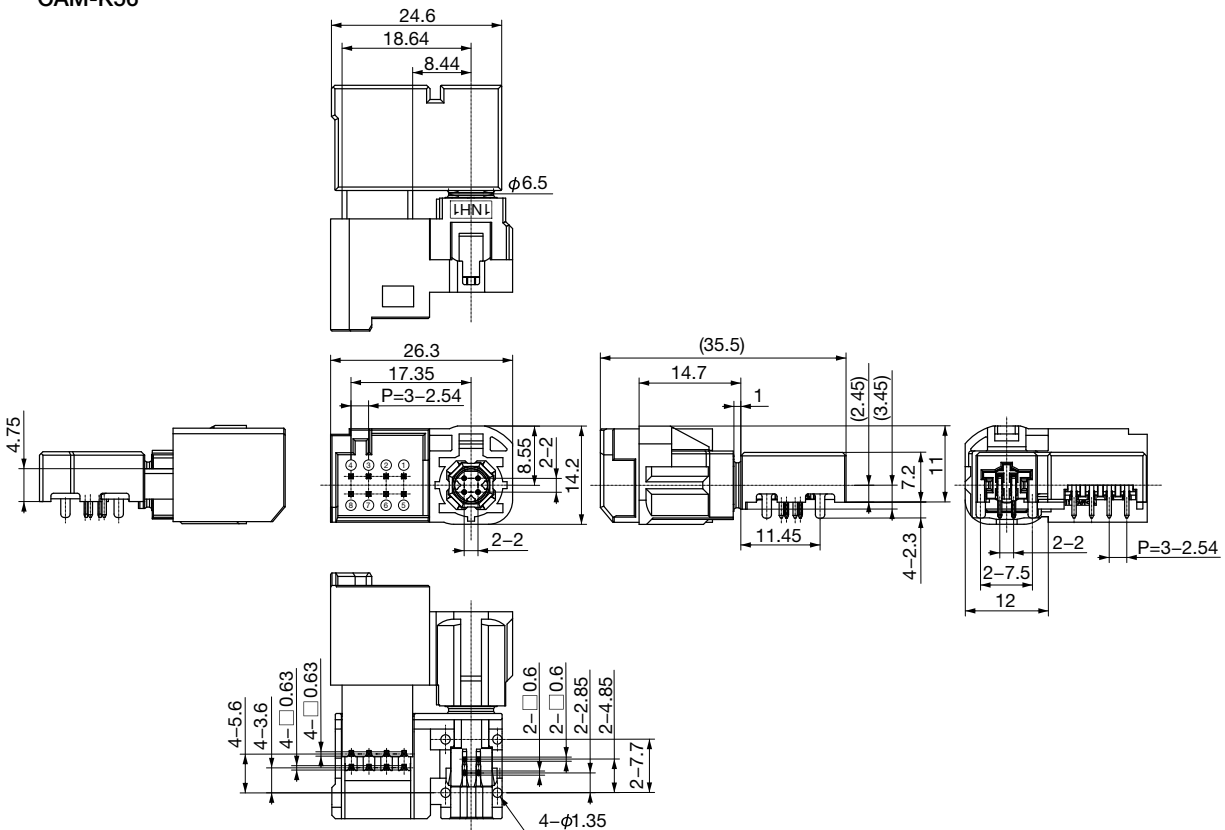


Unit : mm

CAM-K83



CAM-K56



Unit : mm

• Any products mentioned in this catalog are subject to any modification in their appearance and others for improvements without prior notification.
 • The details listed here are not a guarantee of the individual products at the time of ordering. When using the products, you will be asked to check their specifications.