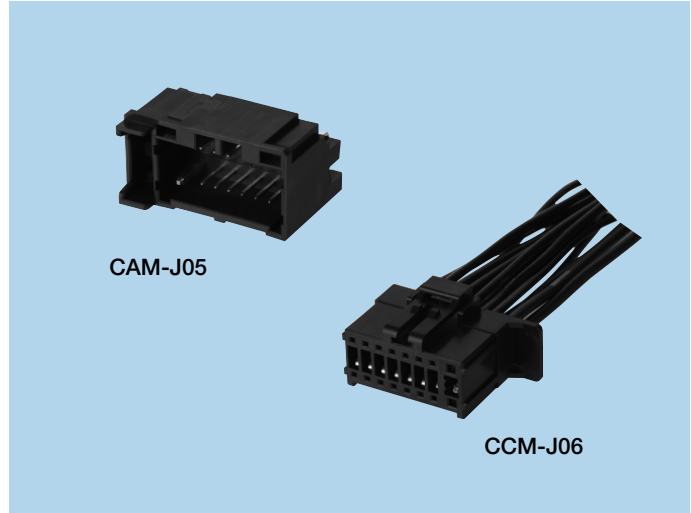


# Power Supply Voltage & Signal

## CAM-J05, CCM-J06

### FEATURES

1. This is a 16-pole power connector and its plug side is an angle type.
2. Because of a lock mechanism, fitting can be surely performed.
3. The plug connector has a structure that permits mounting a fuse.
4. This consists of 2 poles for power supply contact and 14 poles for signal contact.



### HOW TO ORDER

1. CAM-J05 (Plug)

**J05** - **016** - **020** -  -

1                      2                      3

- 1 Series No. (J05)
- 2 No. of contacts (016 : 16pins)
- 3 Coding (A~B)

2. CCM-J06 (Socket)

**J05** - **016** -

1                      2                      3

- 1 Series No. (J06)
- 2 No. of contacts (016 : 16pins)
- 3 Running No. assigned by us

\* The product number of each part unit is as follows.

Housing	ZM-J06- <input type="text"/> <input type="text"/> <input type="text"/> <input type="text"/> <input type="text"/>
Signal Pin	ZC-J06- <input type="text"/> <input type="text"/> <input type="text"/> <input type="text"/> <input type="text"/>
Power Supply Pin	ZC-J06- <input type="text"/> <input type="text"/> <input type="text"/> <input type="text"/> <input type="text"/>

### SPECIFICATIONS

#### ELECTRICAL CHARACTERISTICS

Rated Voltage	14V DC
Rated Current	Signal terminal : 5A(Power supply terminal : 10A)
Withstanding Voltage	500V AC(rms) 1minute
Insulation Resistance	100MΩ min. (500V DC)
Contact Resistance	15mΩ max.

#### MECHANICAL CHARACTERISTICS

Life (Matching Cycle)	200 times
Total Insertion Force	88.2N max.
Total Withdrawal Force	9.8N min.
Using Temperature Range	-35~+85°C

• Any products mentioned in this catalog are subject to any modification in their appearance and others for improvements without prior notification.  
 • The details listed here are not a guarantee of the individual products at the time of ordering. When using the products, you will be asked to check their specifications.

## MATERIAL & FINISH

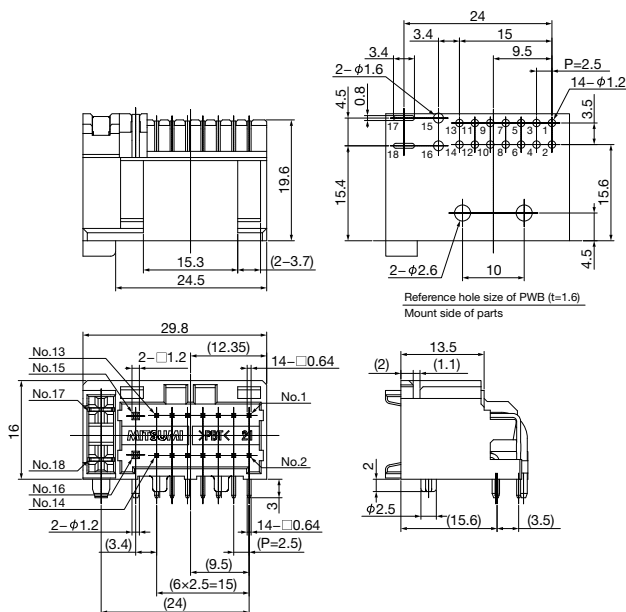
Component Parts		Material	Finish
CAM-J05 (Plug)	Housing	Glass filled PBT resin	
	Contact Pin	Copper alloy	Tin reflow plating
	Fuse Terminal	Brass	Tin reflow plating
CCM-J06 (Socket)	Housing	Glass filled PBT resin	
	Contact Pin	Copper alloy	Tin reflow plating

## WIRE SIZES

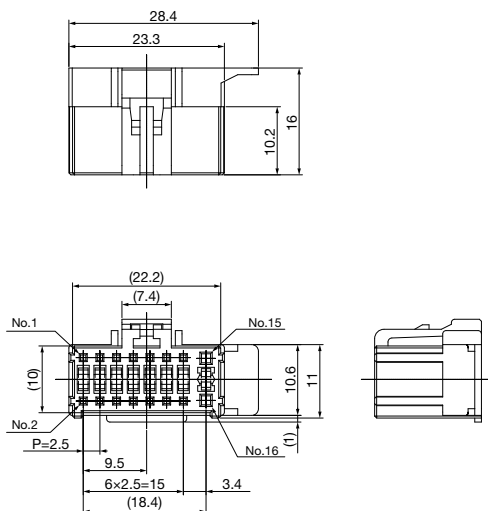
	For Signal	For Power Supply
Wire Sizes	AVS 0.5f(AWG20 Correspond)	AVS 1.25f(AWG16 Correspond)
Wire Covering Diameter	$\phi 2.0\sim 2.1$	$\phi 2.5\sim 2.6$

## DIMENSIONS

CAM-J05 (Plug)



CCM-J06 (Socket)



Unit : mm

• Any products mentioned in this catalog are subject to any modification in their appearance and others for improvements without prior notification.  
 • The details listed here are not a guarantee of the individual products at the time of ordering. When using the products, you will be asked to check their specifications.