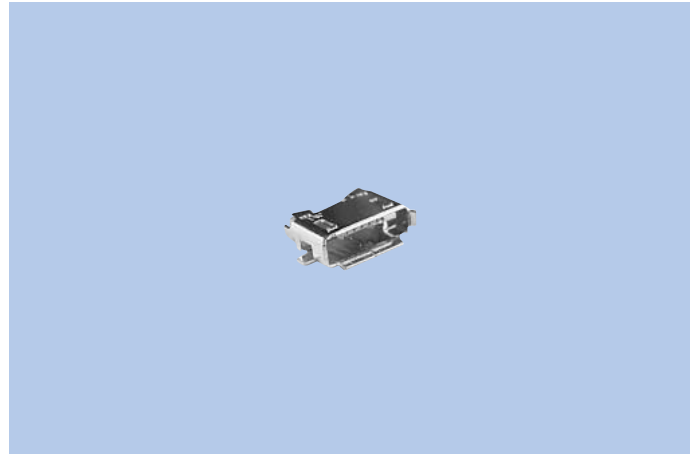


Micro-USB Connectors "Micro-AB Series"

CAM-H49N · H49R

FEATURES

1. Compatible with Micro-USB standards. (USB2.0)
2. Small and more durable than Mini-USB connectors.
3. Soldering area to make connectors more reliable.



CAM-H49 Series LIST

Model	Receptacle	Connector Type
CAM-H49N	Normal type	Type AB
CAM-H49R	Reverse type	

HOW TO ORDER

1. CAM-H49N

H49N-005-21 0-A C G M A
 1 2 3 4 5 6 7 8 9

- 1 Series No.(H49N)
- 2 No. of contacts (005 : 5pins)
- 3 Housing material (21 : LCP resin)
- 4 UL grade (0 : UL94V-0)
- 5 Contact plating (A : Gold)
- 6 Contact plating thickness (C : 0.76μm)
- 7 Contact style (G : Angle SMT)
- 8 Coupling side accessories (M : Shield Case)
- 9 Board side accessories (A : None)

2. CAM-H49R

H49R-005-21 0-A C G M A
 1 2 3 4 5 6 7 8 9

- 1 Series No. (H49R)
- 2 No. of contacts (005 : 5pins)
- 3 Housing material (21 : LCP resin)
- 4 UL grade (0 : UL94V-0)
- 5 Contact plating (A : Gold)
- 6 Contact plating thickness (C : 0.76μm)
- 7 Contact style (G : Angle SMT)
- 8 Coupling side accessories (M : Shield Case)
- 9 Board side accessories (A : None)

SPECIFICATIONS

ELECTRICAL CHARACTERISTICS

Rated Current	When power is being applied on the power supply terminal; 1.8A/1 contact (No. 1&5 pin) When power is being applied on the signal terminal; 1A/1 contact (No. 2&3&4 pin)
Withstanding Voltage	100V AC (rms) 1minute
Contact Resistance	30mΩ max.

MECHANICAL CHARACTERISTICS

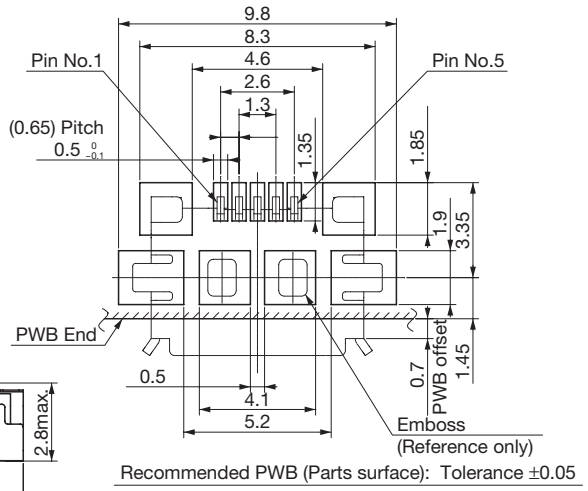
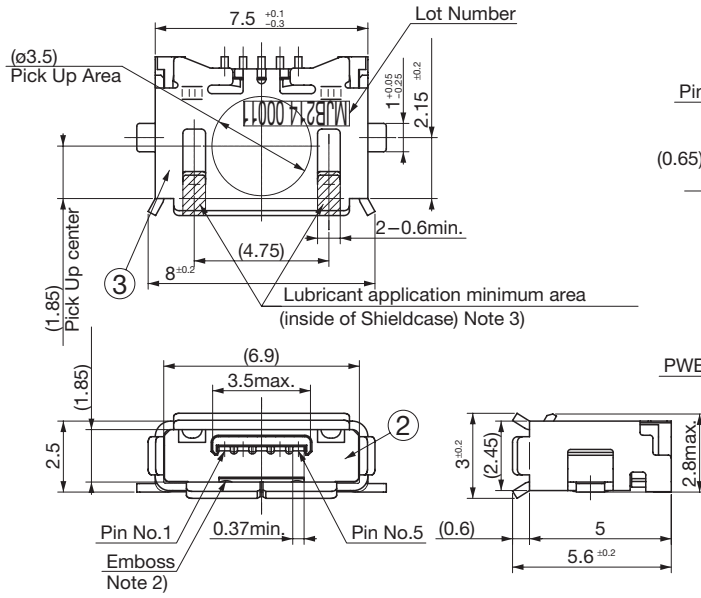
Life (Matching Cycle)	10,000times
Total Insertion Force	35N (3.57kgf) max.
Total Withdrawal Force	Beginning 8N (0.82kgf) min. After 10,000 times 8~20N (0.82~2.04kgf)

MATERIAL & FINISH

Component parts		Material	Finish
CAM-H49 Series	Housing	LCP	Gray
	Contact	Copper alloy	Gold plating
	Shield Case	SUS	Ni+Sn reflow

DIMENSIONS

CAM-H49N



Notes

- 1) Correspond to Micro-USB specification.
- 2) Provides an emboss shape and shield tail shape.
- 3) It applies a fluorinated lubricant to the illustration range.

Unit: mm

