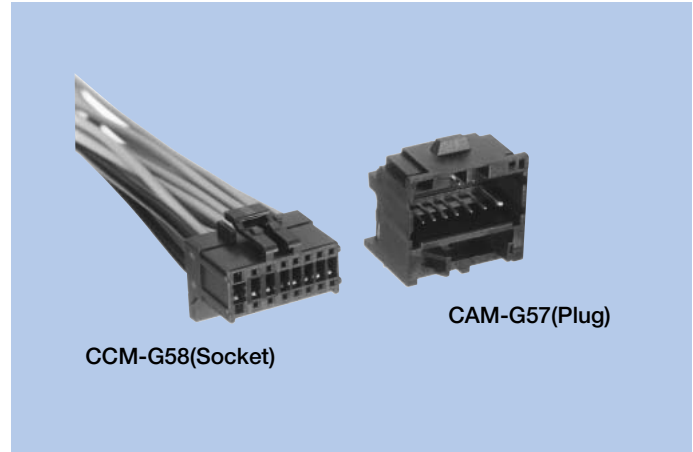


Power Supply Voltage & Signal CAM-G57, CCM-G58

FEATURES

1. These are 16 pins power supply connectors, with angle plugs.
2. A lock mechanism is provided, to ensure secure mating.
3. Plug connectors have a construction enabling mini-fuse mounting.
4. 80% smaller in volume, and 75% smaller in footprint compared to MITSUMI's conventional product.
5. The CAM-G57 has a reduced number of mounting poles to enhance freedom of board pattern design.



HOW TO ORDER

1. CAM-G57 (Plug)

G57-016-02 0-H J B A □

1 2

- 1 Series No.(G57)
- 2 No. of contacts (016 : 16pins)

2. CCM-G58 (Socket)

G58-016-5577 □

1 2

- 1 Series No.(G58)
 - 2 No. of contacts (016 : 16pins)
- * G58-016-5577 □ is a product number of the connector.
The product number of each part single goods is as follows.

Housing Color	ZM-G58-5563A
Signal Pin	ZC-G58-5576F
Power Supply Pin	ZC-G58-5564F

SPECIFICATIONS

ELECTRICAL CHARACTERISTICS

Rated Voltage	14V DC
Rated Current	Signal terminal : 3A (Power Supply terminal : 12A)
Withstanding Voltage	500V AC (rms) 1minute
Insulation Resistance	100MΩ min. (at 500V DC)
Contact Resistance	15mΩ max.

MECHANICAL CHARACTERISTICS

Life (Matching Cycle)	200 times
Total Insertion Force	68.6N (7kgf) max.
Total Withdrawal Force	9.8~98.0N (1~10kgf)
Using Temperature Range	-30~+85°C

MATERIAL & FINISH

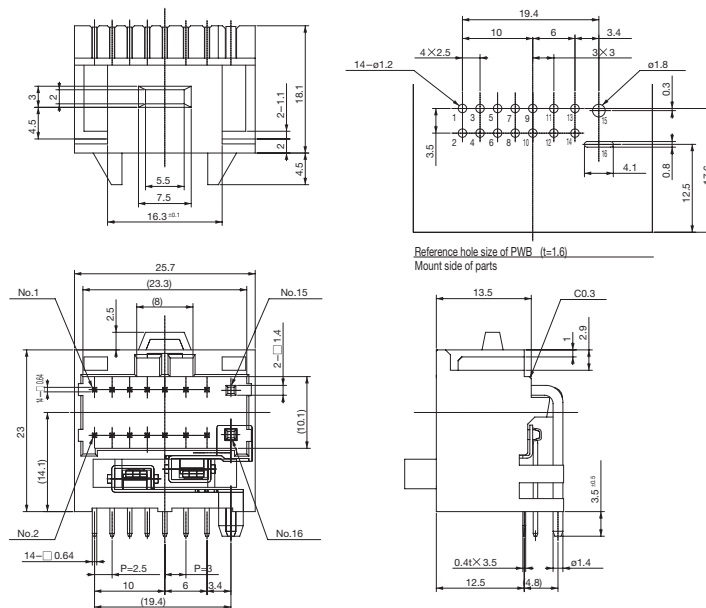
Component Parts		Material	Finish
CAM-G57	Housing	Glass filled PBT resin	—
	Contact	Copper Alloy	Tin reflow plating
	Fuse Terminal	Brass	Tin reflow plating
CCM-G58	Housing	Glass filled PBT resin	—
	Contact	Copper Alloy	Tin reflow plating

WIRE SIZES

	For Signal	For Power Supply
Wire Sizes	AVS 0.5f(AWG20 Correspond)	AVS 1.25f(AWG16 Correspond)
Wire Covering Diameter	Ø2.0~2.1	Ø2.5~2.6

DIMENSIONS

CAM-G57 (Plug)



CCM-G58 (Socket)

