

Ultra Mini Connectors

CAM-G38, CAM-G40, KB-G41

FEATURES

1. Total 8-pin :
 - 5-pin for USB signal
 - 3-pin for stereo and other signals
2. Space-saved design.
3. There are cradle type or type of cable available.



SPECIFICATIONS

ELECTRICAL CHARACTERISTICS

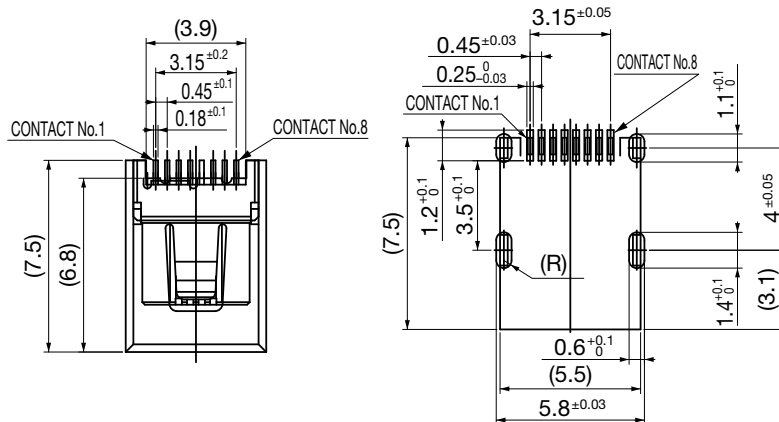
Rated Voltage	AC 50V(rms)
Rated Current	0.5A
Withstanding Voltage	100V AC (rms) 1minute
Insulation Resistance	100mΩ min.
Contact Resistance	50mΩ max.

MECHANICAL CHARACTERISTICS

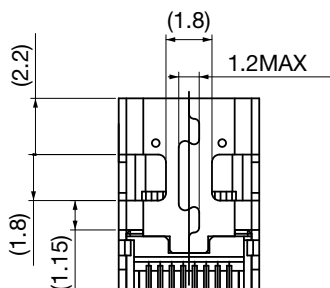
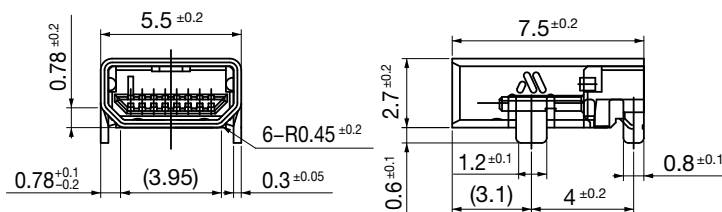
Life (Matching Cycle)	3,000 times
Total Insertion Force	1N(0.1kgf)~35N(3.57kgf)
Total Withdrawal Force	3N(0.3kgf)~35N(3.57kgf)
Using Temperature Range	0~+50°C

DIMENSIONS

CAM-G38SD



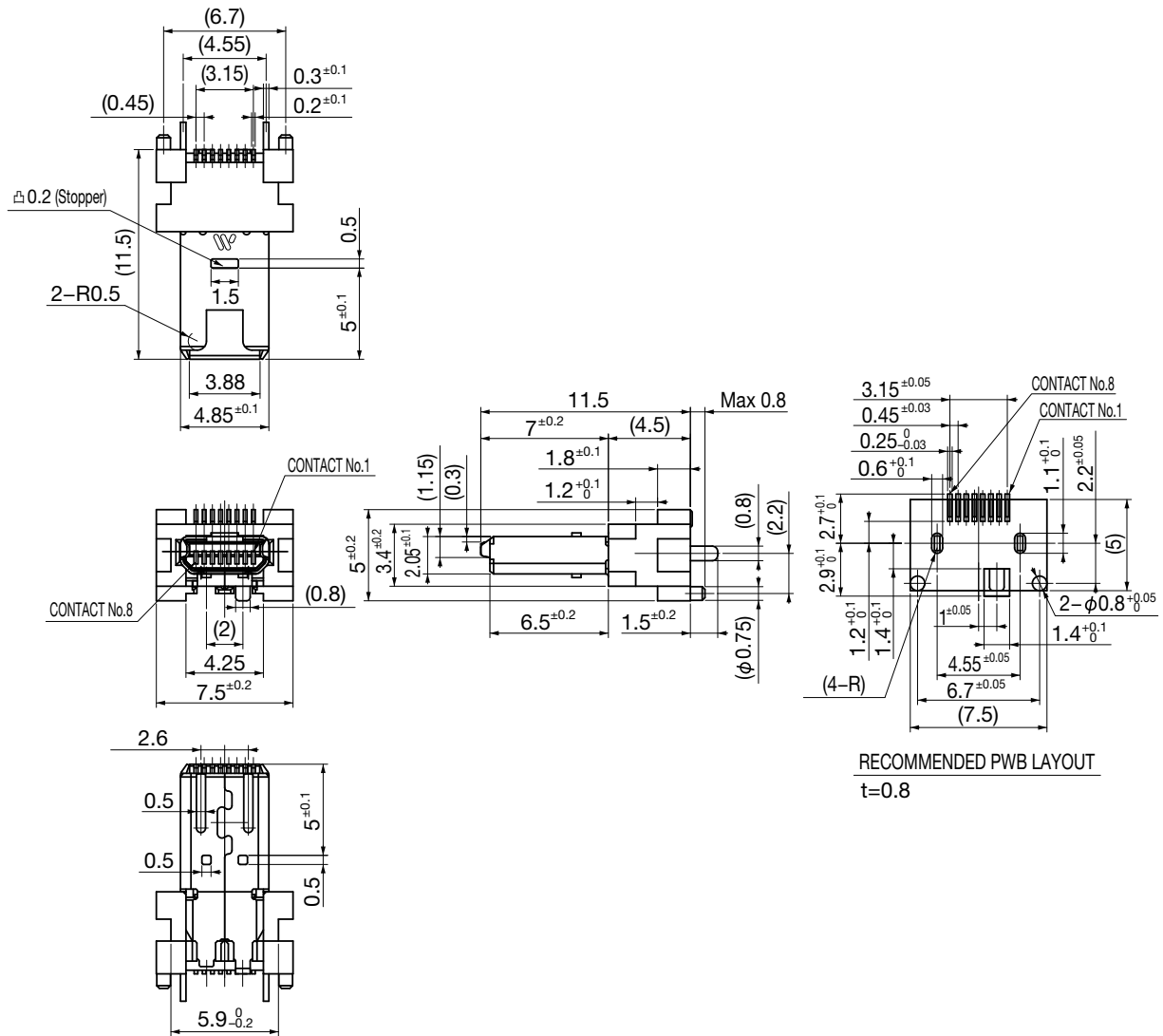
RECOMMENDED PWB LAYOUT



Unit : mm

• Any products mentioned in this catalog are subject to any modification in their appearance and others for improvements without prior notification.
 • The details listed here are not a guarantee of the individual products at the time of ordering. When using the products, you will be asked to check their specifications.

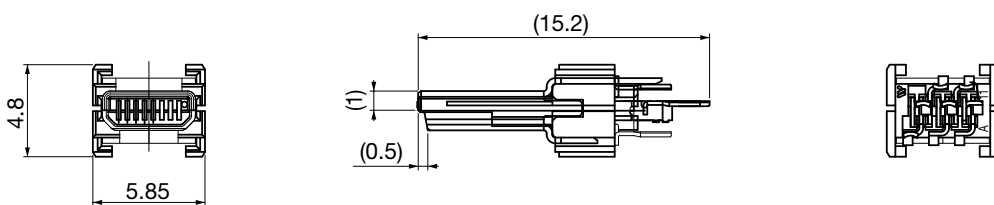
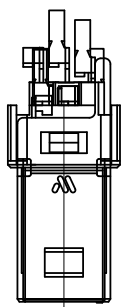
CAM-G40



RECOMMENDED PWB LAYOUT
t=0.8

• Any products mentioned in this catalog are subject to any modification in their appearance and others for improvements without prior notification.
• The details listed here are not a guarantee of the individual products at the time of ordering. When using the products, you will be asked to check their specifications.

KB-G41



NOTES

1) THIS DRAWING IS PARTS ASSEMBLY PRODUCT FOR SALE.