



## MATERIAL & FINISH

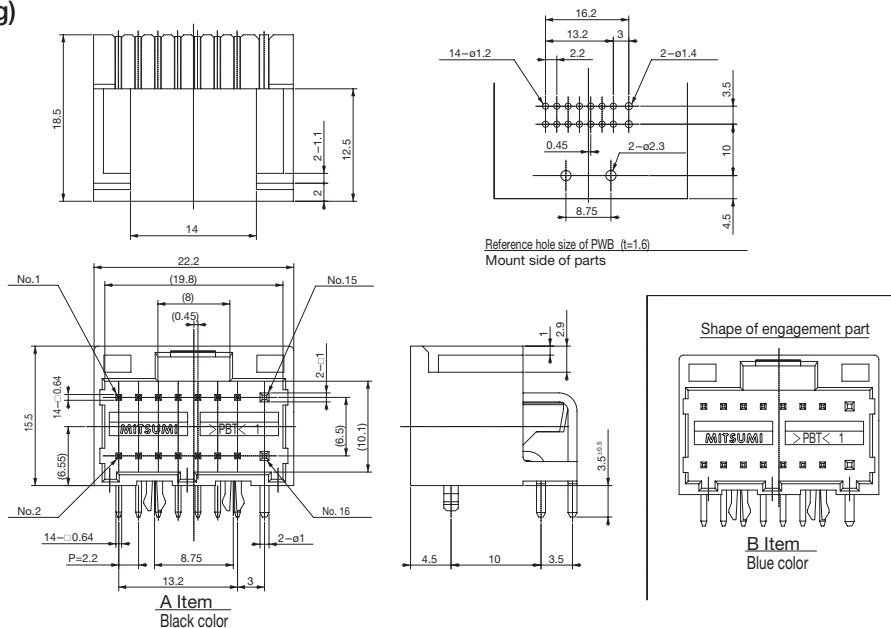
Component Parts		Material	Finish
CAM-E76 (Plug)	Housing	Glass filled PBT resin	—
	Contact	Brass	Tin reflow plating
CCM-E77 (Socket)	Housing	Glass filled PBT resin	—
	Contact	Copper Alloy	Tin reflow plating

## WIRE SIZES

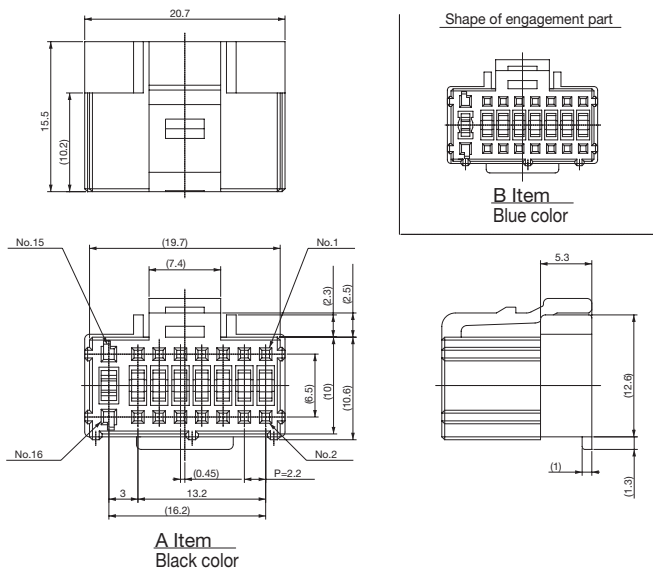
	For Signal	For Power Supply
Wire Sizes	AVSS 0.5f(AWG20 Correspond)	AVS 1.25f(AWG16 Correspond)
Wire Covering Diameter	Ø1.6~1.7	Ø2.5~2.6

## DIMENSIONS

### CAM-E76 (Plug)



### CCM-E77 (Socket)



Unit : mm

• Any products mentioned in this catalog are subject to any modification in their appearance and others for improvements without prior notification.  
• The details listed here are not a guarantee of the individual products at the time of ordering. When using the products, you will be asked to check their specifications.