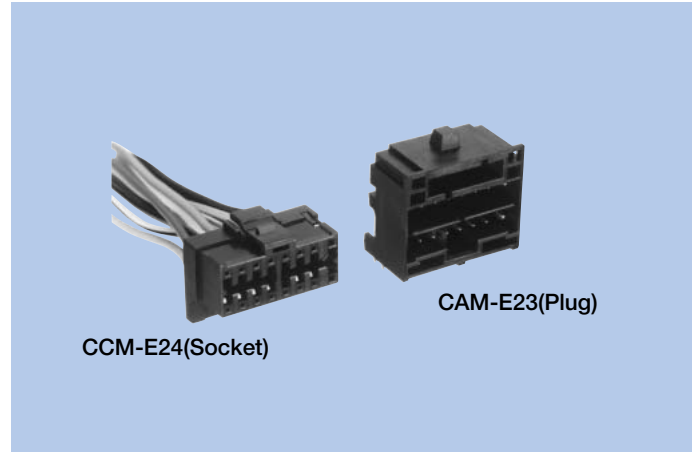


Power Supply Voltage & Signal CAM-E23, CCM-E24

FEATURES

1. These are 16-pole power supply connectors, with angle plugs.
2. A lock mechanism is provided, to ensure secure mating.
3. Plug connectors are designed to enable fuse installation.
4. Two poles are provided for power supply contacts; the other 14 poles are signal contacts.
5. The CAM-E23 has a reduced number of mounting poles to enhance freedom of board pattern design.



HOW TO ORDER

1. CAM-E23 (Plug)

E23-016-02 0-H J B A A
 1 2 3 4 5 6 7 8 9

- 1 Series No.(E23)
- 2 No. of contacts (016 : 16pins)
- 3 Housing material (02 : PBT resin)
- 4 UL grade (0 : UL94V-0)
- 5 Contact plating (H : Solder plating)
- 6 Contact plating thickness (J : 3.0μm)
- 7 Contact tail style (B : Angle)
- 8 Accessory for connector outside (A : None)
- 9 Accessory for connector inside (A : None)

2. CCM-E24 (Socket)

E24-016-5888A
 1 2 3

- 1 Series No.(E24)
- 2 No. of contacts (016 : 16pins)
- 3 Product Specifications.

SPECIFICATIONS

ELECTRICAL CHARACTERISTICS

Rated Voltage	14V DC
Rated Current	Signal terminal : 3A (Power supply terminal : 10A)
Withstanding Voltage	500V AC (rms) 1 minute
Insulation Resistance	100MΩ min. (at 500V DC)
Contact Resistance	15mΩ max.

MECHANICAL CHARACTERISTICS

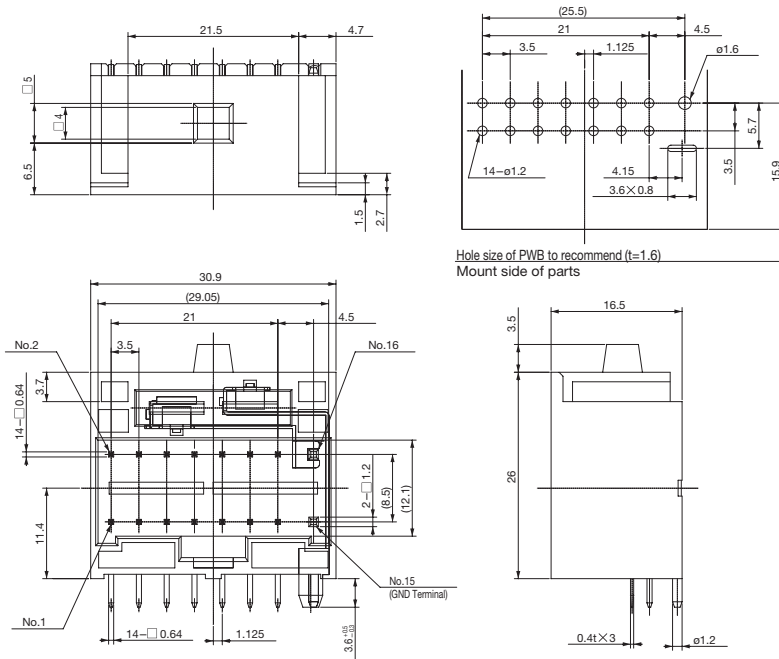
Life (Matching Cycle)	200 times
Total Insertion Force	78.4N (8kgf) max.
Total Withdrawal Force	9.8N (1.0kgf) min.
Using Temperature Range	-30~85°C

MATERIAL & FINISH

Component Parts		Material	Finish
CAM-E23 (Plug)	Housing	Glass filled PBT resin	—
	Contact	Brass	Solder plating
	Fuse Terminal	Brass	Tin reflow plating
CCM-E24 (Socket)	Housing	46 Nylon resin	—
	Contact	Copper Alloy	Tin reflow plating

DIMENSIONS

CAM-E23 (Plug)



CCM-E24 (Socket)

