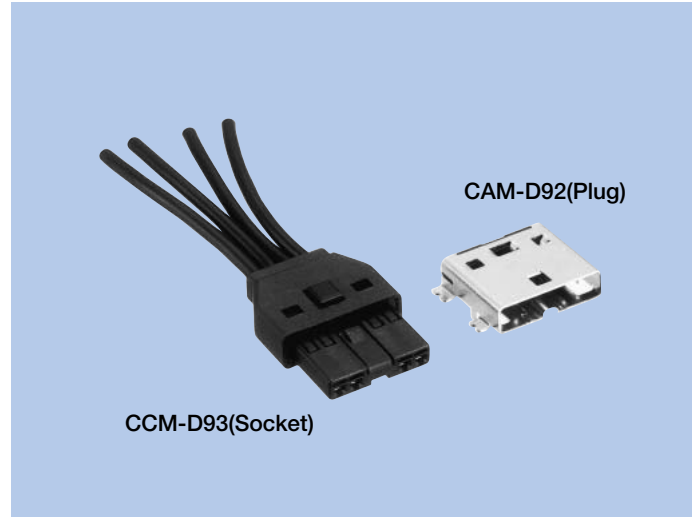


Rectangular Connectors

CAM-D92, CCM-D93

FEATURES

1. This four-terminal connector is used to supply power to other devices. The CAM-D92 is a surface-mounted plug, and the CCM-D93 is a straight wire socket.
2. Uses a locking mechanism so that it can be used with automotive on-board equipment, mobile devices, and small portable devices.
3. The current carrying capacity is 4A.
4. The thin style provides high strength.
5. The wire sizes that can be used are up to four wires of AWG18 to AWG22.



HOW TO ORDER

1. CAM-D92

D92 - - **05** **0** - **I** **J** **G** **A** **A**

1 2 3 4 5 6 7 8 9 10

- 1 Series No. (D92)
- 2 No. of contacts (004 : 4pins)
- 3 Housing Material (05 : Nylon resin)
- 4 UL Grade (0 : UL 94V-0)
- 5 Contact plating (I : Tin reflow plating)
- 6 Contact pin plating thickness (J : 0.3μm)
- 7 Contact pin lead profile (G : Angle SMT)
- 8 Attachment on connector fitting side (A : None)
- 9 Attachment on connector PCB side (A : None)
- 10 Ancillary signal (normally none)

2. CCM-D93

D93 - - **5531** **A**

1 2 3

- 1 Series No. (D93)
- 2 No. of contacts (004 : 4pins)
- 3 Product Specifications

SPECIFICATIONS

ELECTRICAL CHARACTERISTICS

Rated Voltage	32V DC
Rated Current	4A
Withstanding Voltage	500V AC (rms) 1minute
Insulation Resistance	100MΩ min. (at 500V DC)
Contact Resistance	30mΩ max.

MECHANICAL CHARACTERISTICS

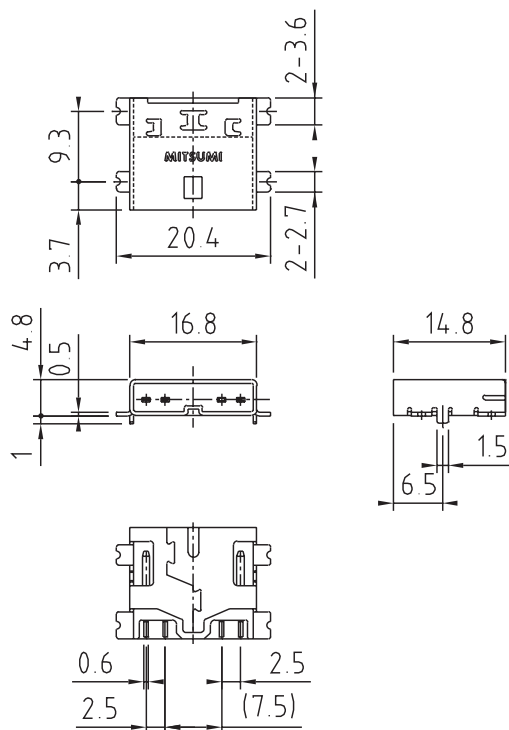
Life (Matching Cycle)	100times
Total Insertion Force	44N (4.5kgf) max.
Total Withdrawal Force	44N (4.5kgf) max.
Using Temperature Range	-30~+85°C

MATERIAL & FINISH

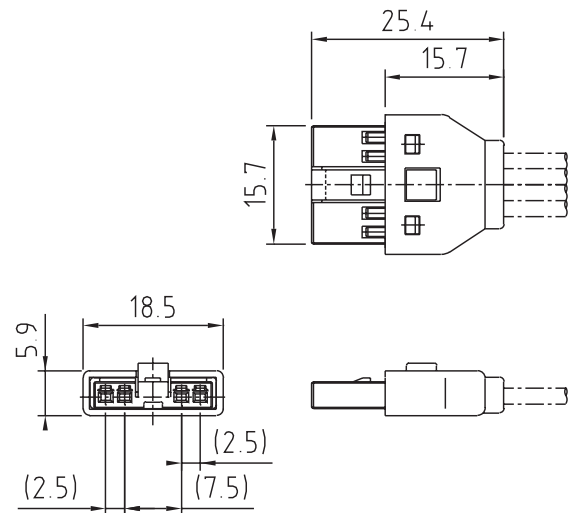
Component Parts		Material	Finish
CAM-D92	Housing	Nylon resin	(Black)
	Contact	Copper Alloy	Tin reflow plating
	Metal Cover	Stainless	Copper-tin plating
CCM-D93	Housing	Nylon resin	(Black)
	Contact	Copper Alloy	Tin reflow plating
	Cap	Nylon resin	(Black)

DIMENSIONS

CAM-D92 (Plug)



CCM-D93 (Socket)



Unit : mm