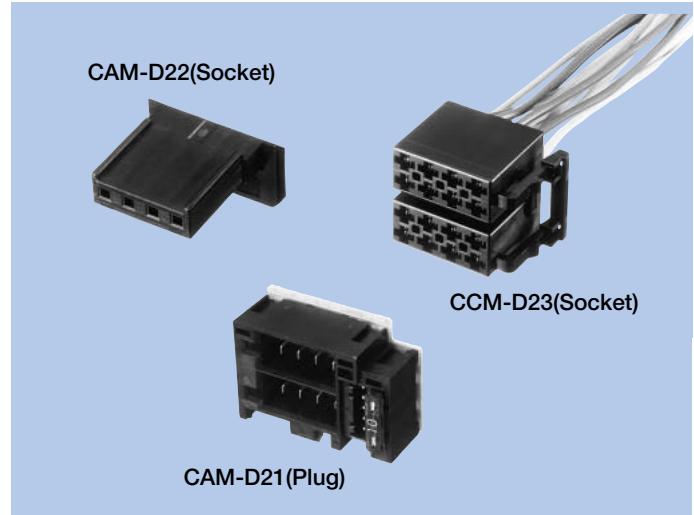


Connectors for Power Supply Voltage (ISO Standard) CAM-D21, CAM-D22, CCM-D23

FEATURES

1. Connectors for power supplies, conforming to ISO standards.
The CAM-D21 is a plug connector used in board mounting. The CAM-D22 is a conversion connector capable of circuit switching, and connects to the CAM-D21. The CCM-D23 is a socket connector for use with cable assemblies.
2. The plug connector can accept fuses.
3. The insertion position of the conversion connector can be modified to switch the set circuit.
4. The socket connector integrated A and B part locks to enhance operation.



HOW TO ORDER

1. CAM-D21 (Plug)

D21-036-02 0-I J B A A

1 2 3 4 5 6 7 8 9

- 1 Series No.
- 2 No. of contacts (036 : 36pins)
- 3 Housing material (02 : PBT resin)
- 4 Housing UL grade (0 : UL94V-0)
- 5 Contact finish (I : Tin reflow)
- 6 Contact plating thickness (J : 3.0µm)
- 7 Contact tail style (B : Angle)
- 8 Accessory for connector outside (A : none)
- 9 Accessory for connector inside (A : none)

2. CAM-D22 (Socket)

D22-004-02 0-I I B A A

1 2 3 4 5 6 7 8 9

- 1 Series No.
- 2 No. of contacts (004 : 4pins)
- 3 Housing material (02 : PBT resin)
- 4 Housing UL grade (0 : UL94V-0)
- 5 Contact finish (I : Tin reflow)
- 6 Contact plating thickness (I : 1.0µm)
- 7 Contact tail style (B : Angle)
- 8 Accessory for connector outside (A : none)
- 9 Accessory for connector inside (A : none)

3. CCM-D23 (Socket)

D23-016-2339A

1 2 3

- 1 Series No.
- 2 No. of contacts (016 : 16pins)
- 3 Product Specifications.

SPECIFICATIONS

ELECTRICAL CHARACTERISTICS

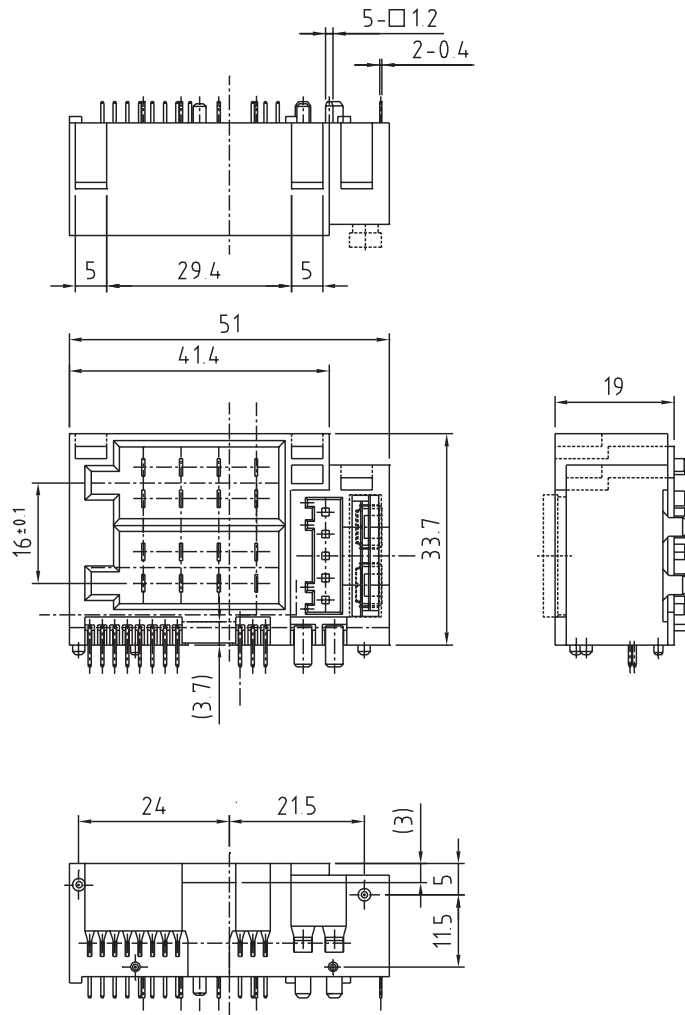
Rated Voltage	DC 14V
Rated Current	Contact for power supply : 8.5A, Contact for signal : 5A
Withstanding Voltage	500V AC (rms) 1 minute
Insulation Resistance	100MΩ min. (at 500V DC)
Contact Resistance	15m Ω max.

MECHANICAL CHARACTERISTICS

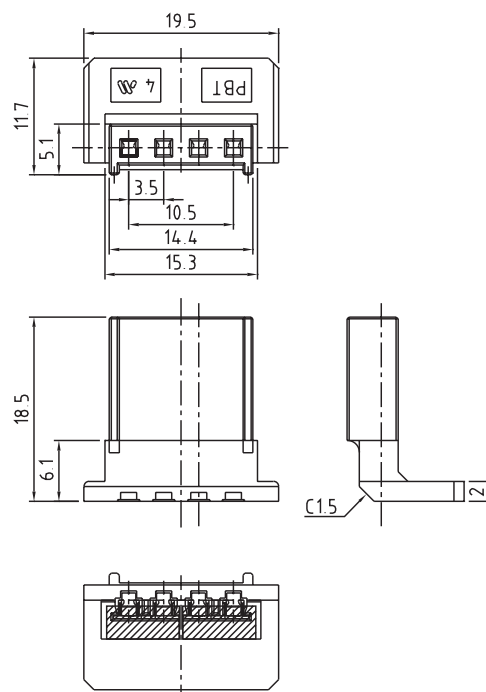
CAM-D21 Connector Series	CAM-D22	CAM-D23
Life (Matching Cycle)	200 times	
Total Insertion Force	49.0N (5kgf) max.	78.4N (8kgf) max.
Total Withdrawal Force	4.9N (0.5kgf) min.	6.86N (0.7kgf) min.
Using Temperature Range	-30~+85°C	-30~+85°C

DIMENSIONS

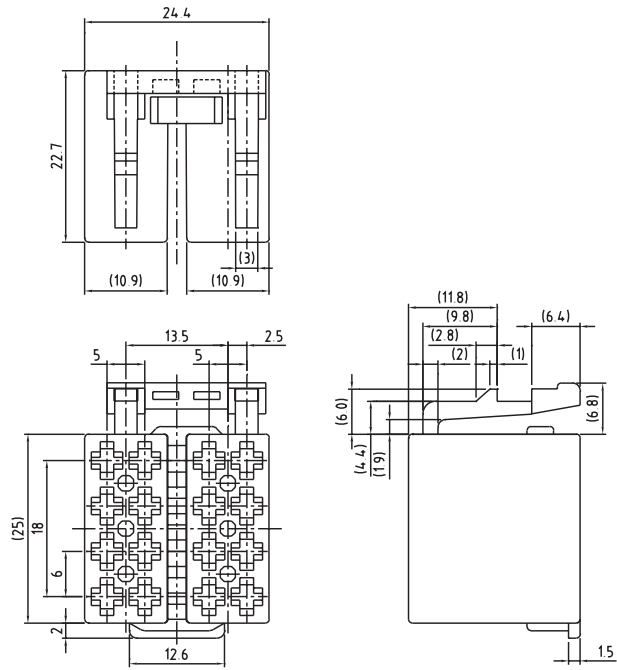
CAM-D21



CAM-D22



CCM-D23



Unit : mm
Tolerance : ±0.3mm