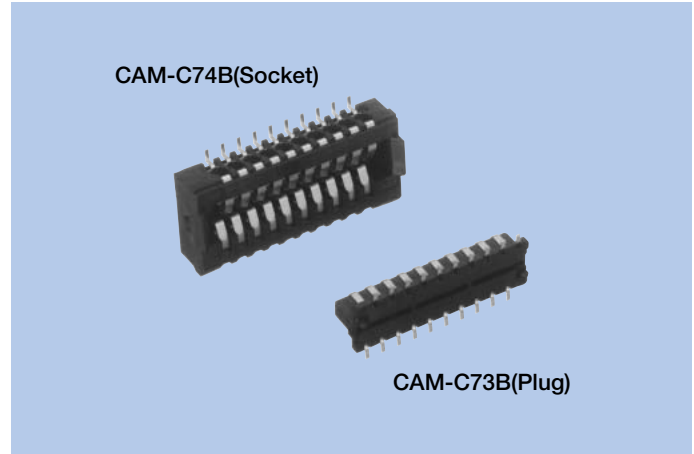


# Detach Connectors CAM-C73B, C74B

## FEATURES

1. It is 20 pins connector used for detaching between the operation panel and the unit etc.
2. The amount of the gap absorption when engaging is X direction  $\pm 0.5\text{mm}$ , Y direction  $\pm 0.4\text{mm}$ , Z direction  $\pm 0.5\text{mm}$ .
3. Supports reflow mounting.



## HOW TO ORDER

### 1. CAM-C73B (Plug)

**C73-020-06 0-AGAA-B**

1      2

- 1 Series No. (C73)
- 2 No. of contacts (020 : 20pins)

### 2. CAM-C74B (Socket)

**C74-020-06 0-AGAA-B**  
**AGAAA-B**

1      2

- 1 Series No. (C74)
- 2 No. of contacts (020 : 20pins)

## SPECIFICATIONS

### ELECTRICAL CHARACTERISTICS

|                       |                                 |
|-----------------------|---------------------------------|
| Rated Voltage         | 14V DC                          |
| Rated Current         | 1A                              |
| Withstanding Voltage  | 500V AC (rms) 1minute           |
| Insulation Resistance | 500M $\Omega$ min. (at 500V DC) |
| Contact Resistance    | 70m $\Omega$ max.               |

### MECHANICAL CHARACTERISTICS

|                         |                     |
|-------------------------|---------------------|
| Life (Matching Cycle)   | 10,000 times        |
| Total Insertion Force   | 18.5N (1.9kgf) max. |
| Total Rebound Force     | 10.3N (1.1kgf) max. |
| Using Temperature Range | -30~+85°C           |

## MATERIAL & FINISH

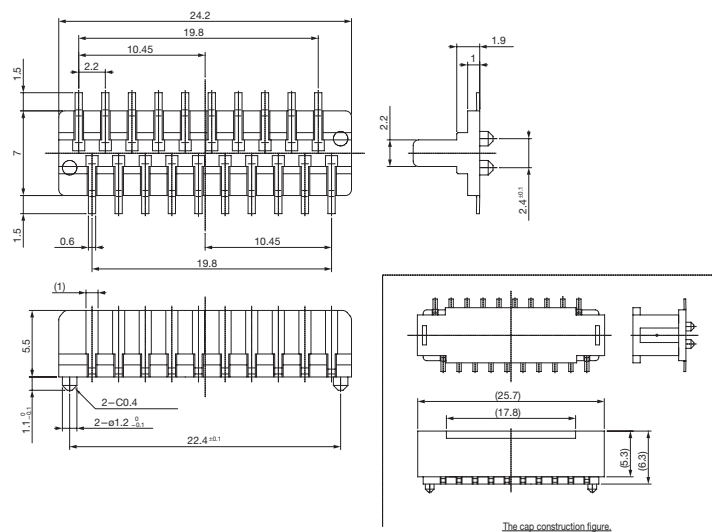
| Component Parts |         | Material     | Finish       |
|-----------------|---------|--------------|--------------|
| CAM-C73B        | Housing | PPS resin    | (Black)      |
|                 | Contact | Copper Alloy | Gold plating |
|                 | Cap     | SPS resin    | (Black)      |
| CAM-C74B        | Housing | PPS resin    | (Black)      |
|                 | Contact | Copper Alloy | Gold plating |

## Delivery Form

|                            | CAM-C73B      | CAM-C74B      |
|----------------------------|---------------|---------------|
| Packing Form               | Emboss Taping | Emboss Taping |
| Number of Standard Storage | 500/Reel      | 400/Reel      |

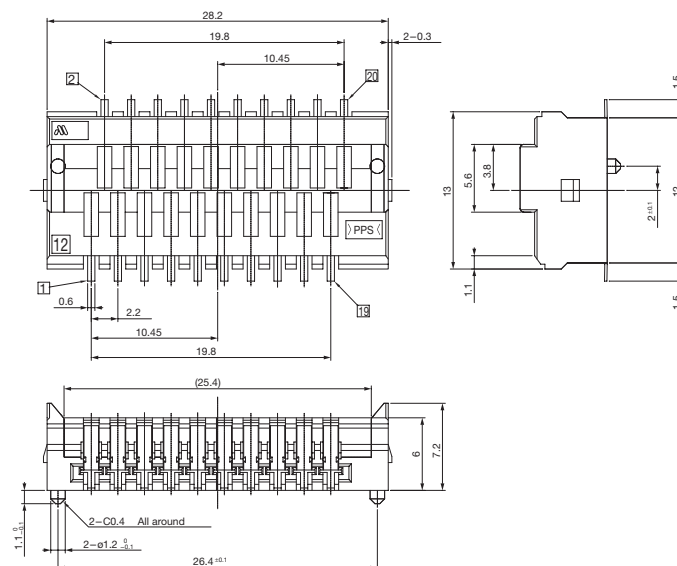
## DIMENSIONS

### CAM-C73B (Plug)



For reflow solder

### CAM-C74B (Socket)



For reflow solder