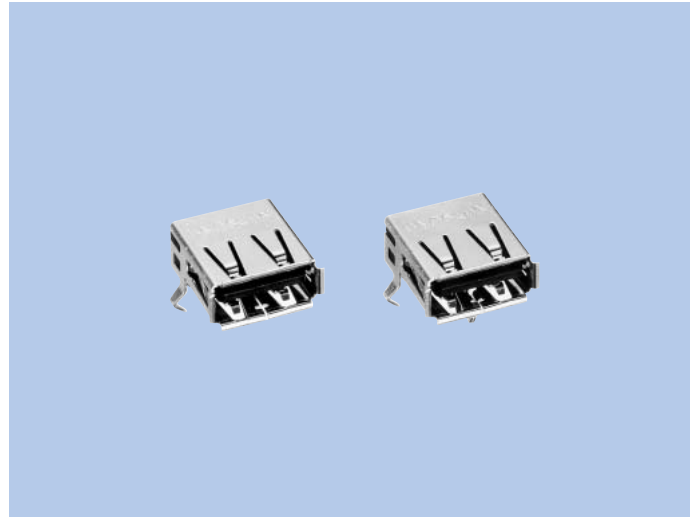


USB Series "A" Connectors

CAM-B85 · C33

FEATURES

1. Connector conforming to the USB interface.
2. Single-socket type CAM-B85, C33 being interfit with IAM-B84.
3. Supports a strong mechanical load to prevent terminal damage or bad contacts. (CAM-C33)



HOW TO ORDER

1. CAM-B85

B85-004-2272A
1 2 3

- 1 Series No.
- 2 No. of contacts (004 : 4pins)
- 3 Running No. assigned by us

2. CAM-C33

C33-004-2489A
1 2 3

- 1 Series No.
- 2 No. of contacts (004 : 4pins)
- 3 Running No. assigned by us

SPECIFICATIONS

ELECTRICAL CHARACTERISTICS & MECHANICAL CHARACTERISTICS

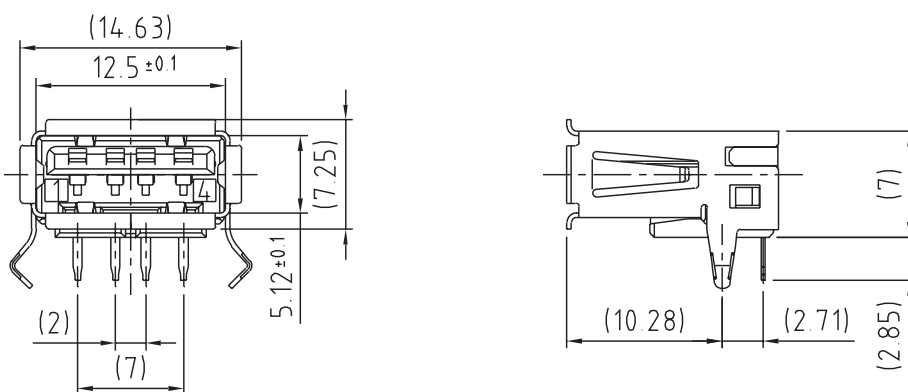
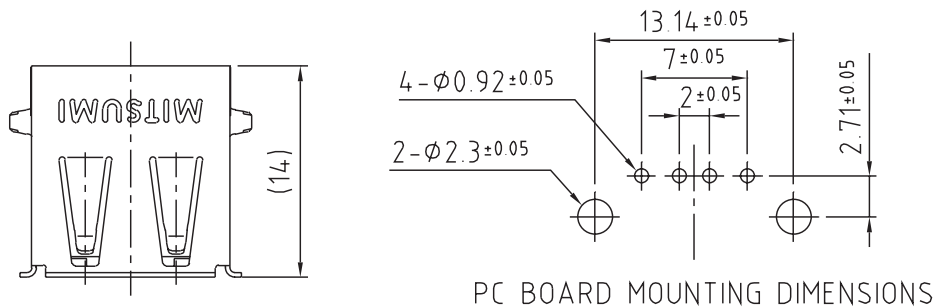
Rated Voltage	30V AC (rms)
Rated Current	1A max. /1 terminal (Signal only)
Withstanding Voltage	750V AC (rms) 1minute
Insulation Resistance	1000MΩ min. (at 500V DC)
Contact Resistance	30mΩ max.
Life(Matching Cycle)	1,500 times

MATERIAL & FINISH

Component Parts	Material	Finish
Housing	PBT resin	—
Contact	Copper Alloy	Gold plating
Shell	Copper Alloy	Solder plating

DIMENSIONS

CAM-B85



CAM-C33

