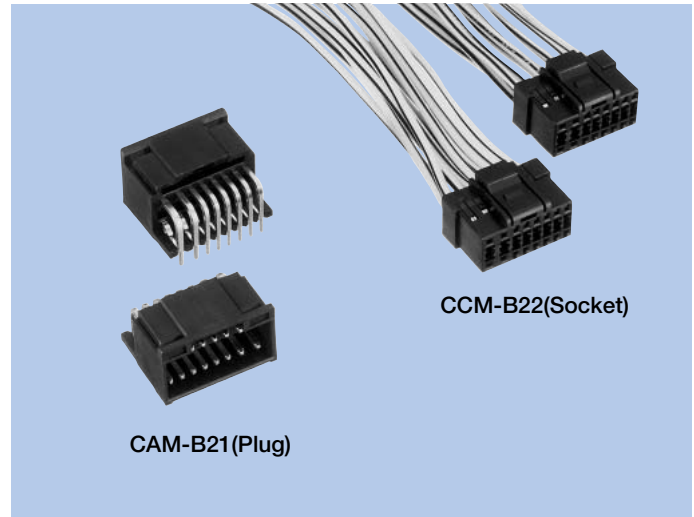


Power Supply Voltage & Signal CAM-B21, CCM-B22

FEATURES

1. 16 pin power connector of an angle type on the plug side.
2. One-touch locking mechanism ensures a secure fitting.
3. The socket connector on the cable assembly side is of double lance structure to enhance the withdrawal strength from the housing.
4. Configured for 4 power supply contact pins and 12 signal contact pins.



HOW TO ORDER

1. CAM-B21 (Plug)

B21-016-02 0-I J B A A
 1 2 3 4 5 6 7 8 9

- 1 Series No. (B21)
- 2 No. of contacts (016 : 16pins)
- 3 Housing material (02 : PBT resin)
- 4 Housing UL grade (0 : 94V-0)
- 5 Contact plating (I : Tin reflow plating)
- 6 Contact plating thickness (J : 3.0μm)
- 7 Contact tail style (B : Angle)
- 8 Accessory for connector outside (A : None)
- 9 Accessory for connector inside (A : None)

2. CCM-B22 (Socket)

B22-016-□□□□□
 1 2 3

- 1 Series No. (B22)
- 2 No. of contacts (016 : 16pins)
- 3 Running No. assigned by us

SPECIFICATIONS

ELECTRICAL CHARACTERISTICS

Rated Voltage	14V DC
Rated Current	Signal terminal : 5A (Power terminal : 10A)
Withstanding Voltage	500V AC (rms) 1minute
Insulation Resistance	100MΩ min. (at 500V DC)
Contact Resistance	70mΩ max.

MECHANICAL CHARACTERISTICS

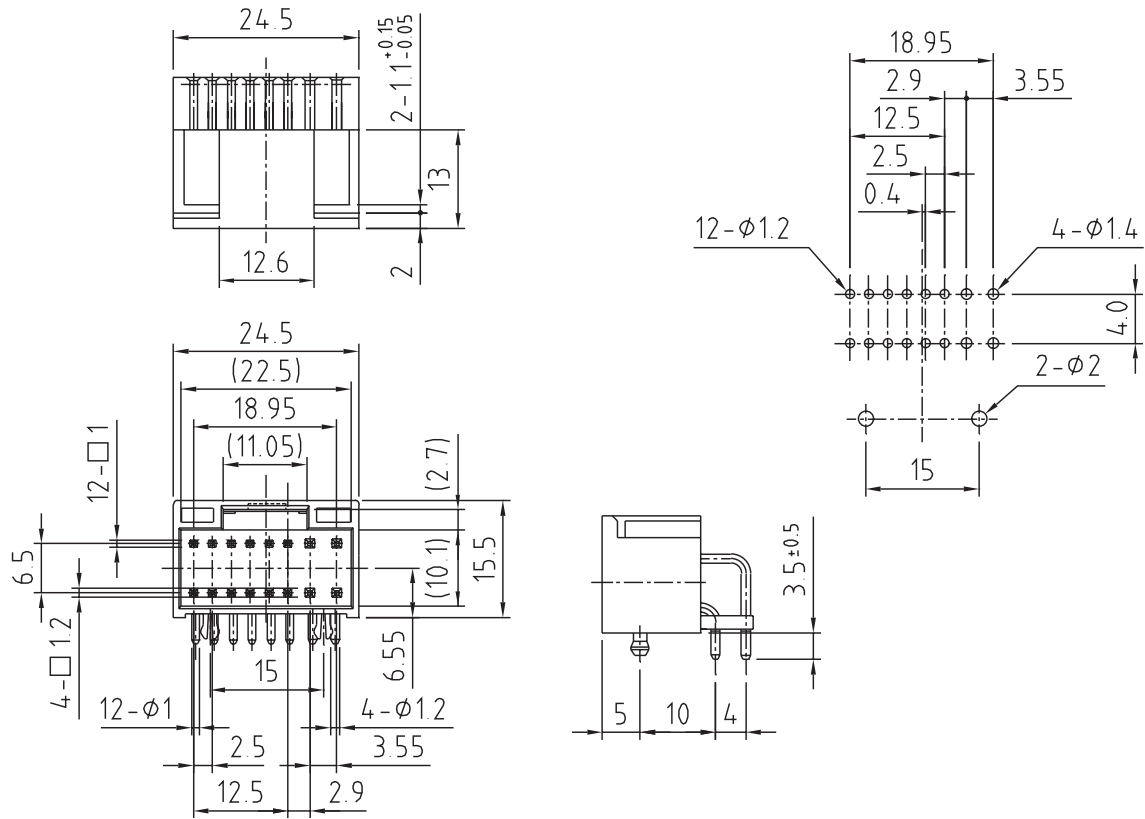
Life (Matching Cycle)	30 times
Total Insertion Force	68.6N (7kgf) max.
Total Withdrawal Force	9.8~68.6N (1~7kgf)
Using Temperature Range	-35~+85°C

MATERIAL & FINISH

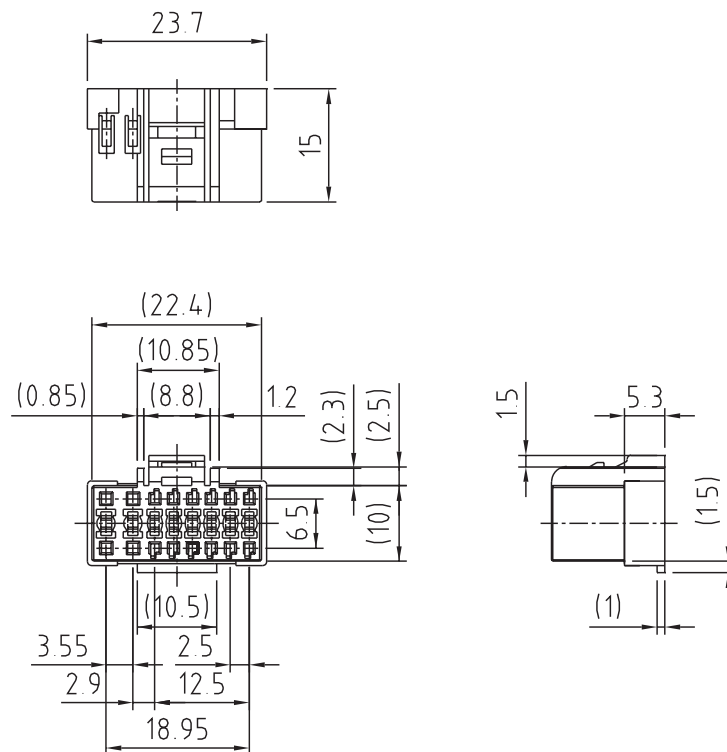
Component parts		Material	Finish
CAM-B21 (Plug)	Housing	Glass filled PBT resin (Black)	—
	Contact for Power Supply	Copper Alloy	Tin reflow plating
	Contact for Signal	Copper Alloy	Tin reflow plating
CCM-B22 (Socket)	Housing	46 Nylon	—
	Contact for Power Supply	Copper Alloy	Tin reflow plating
	Contact for Signal	Copper Alloy	Tin reflow plating

DIMENSIONS

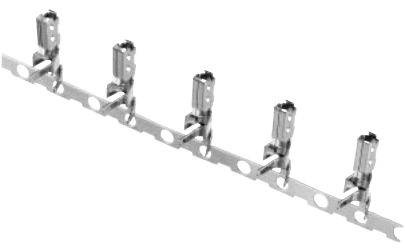
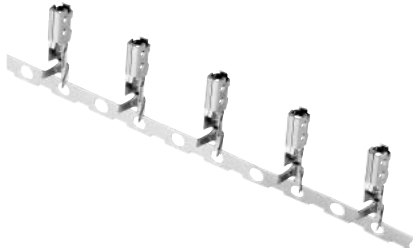
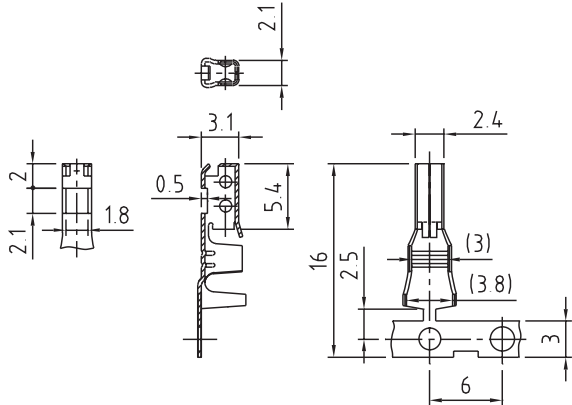
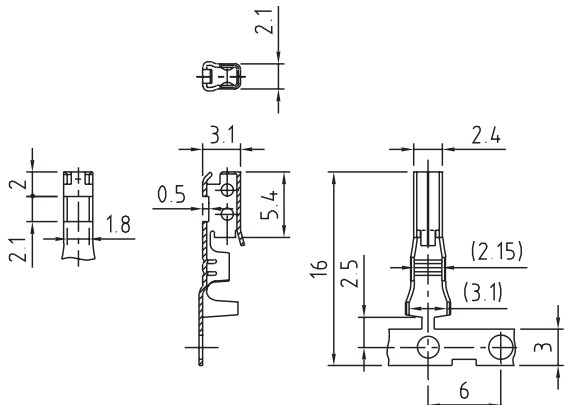
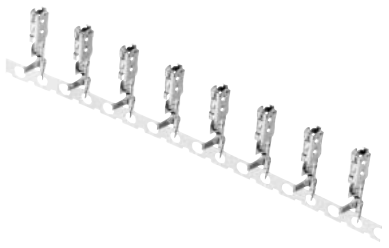
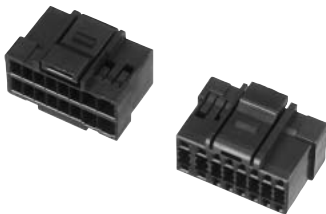
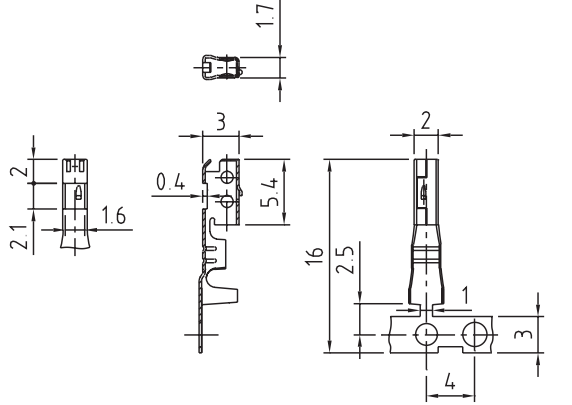
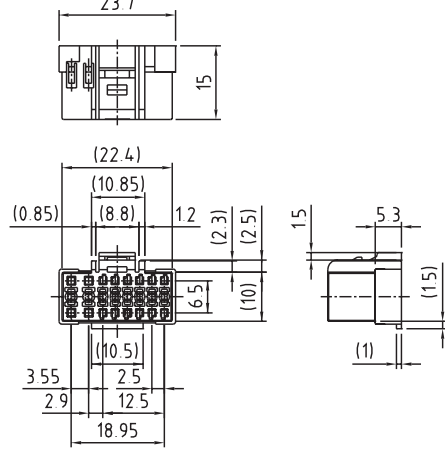
CAM-B21 (Plug)



CCM-B22 (Socket)



SOCKET PARTS SELLING

<p>Socket Contact ZC-B22-0884F</p> 		<p>Socket Contact ZC-B22-0885F</p> 	
 <p style="text-align: right;">Unit : mm</p>		 <p style="text-align: right;">Unit : mm</p>	
<p>Socket Contact ZC-B22-0886F</p> 		<p>Socket Insulator ZM-B22-0883A</p> 	
 <p style="text-align: right;">Unit : mm</p>		 <p style="text-align: right;">Unit : mm</p>	

Component Parts		AWG No.	Part No.
Housing		—	ZM-B22-0883A
Contact	For Power Supply	AWG16	ZC-B22-0884F
	For Signal	AWG18~20	ZC-B22-0885F
		AWG20~22	ZC-B22-0886F