

XM Antenna (for Home)

XMA-P1Q8

OUTLINE

Home-use antenna for receiving the United States' digital radio broadcasting. This is a receiver antenna for Sirius XM Radio, and its specification is open only to makers under contract with Sirius XM Radio.



FEATURES

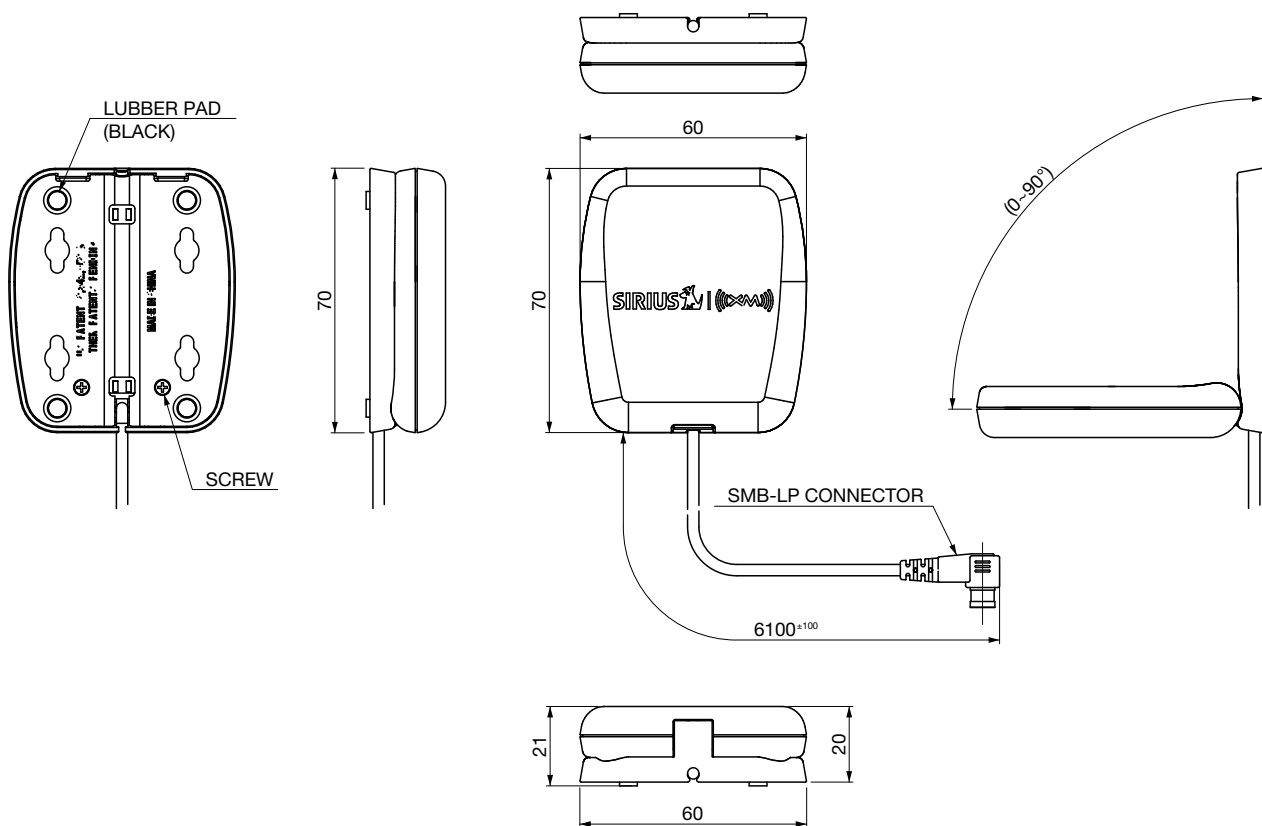
1. Reception Frequency: 2.3GHz
2. Metal loop antenna is employed: high-gain type
3. External Dimensions: 60(W)×70(D)×20(H) mm
4. Connector: SMB
5. Cable Length: 20 feet

SPECIFICATIONS

Item	Specifications
Receiving Frequency	2.3GHz

* Pursuant to Sirius XM Radio standards.opened.

DIMENSIONS



NOTE

1. ALL DIMENSION UNITS ARE IN MM.
2. PLASTIC MATERIAL COLOR
PANTONE PMS426C.