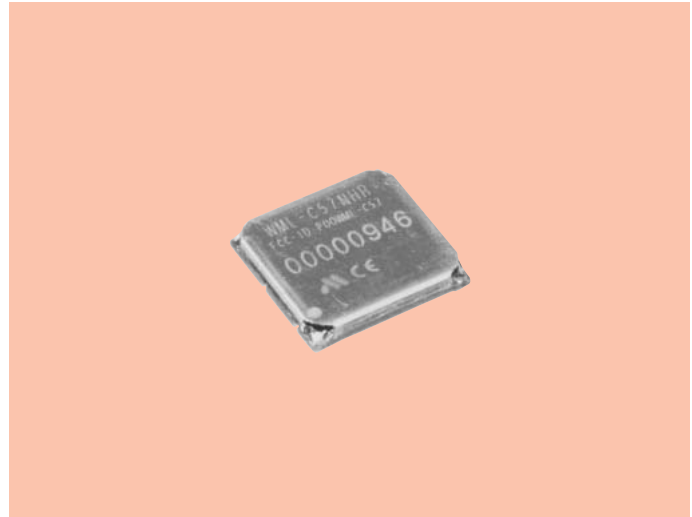


Bluetooth® Module WML-C57 Class 2

OUTLINE

This is a wireless communications module that conforms to Bluetooth® Ver.2.0+EDR. Applications include headsets, car navigation, car audio equipment, PND, digital cameras, PDA, etc.

*The Bluetooth® word mark and logos are owned by the Bluetooth SIG, Inc.



FEATURES

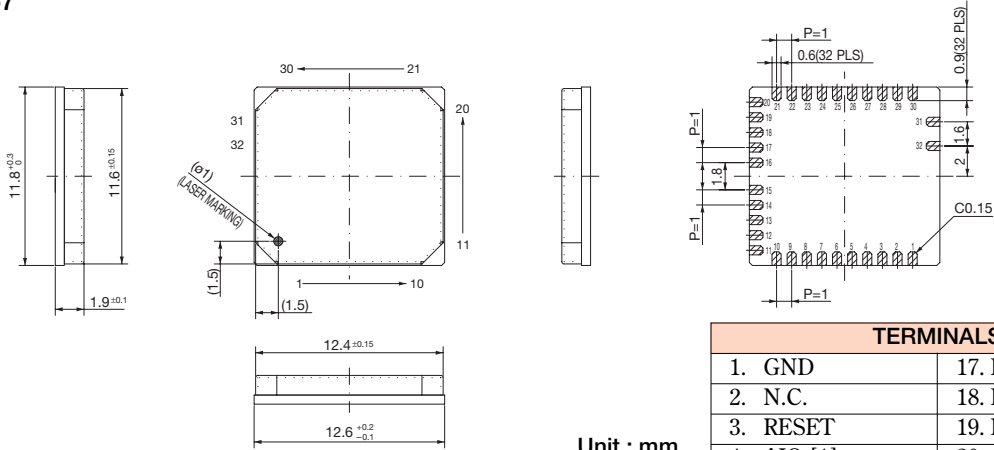
1. Module in compliance with Car Electronics Standard.
2. In compliance with Standard HCI.
3. Ultra-small size and thinness achieved through use of high density mounting technology.
4. UART and PCM interfaces allow realization of a wide variety of applications.
5. Conforms to EMI standards worldwide, including FCC and CE.
6. Supports Bluetooth® Class 2.
7. Operating temperature range: -40~+85°C.

SPECIFICATIONS

Item	Specifications
Frequency	2402 ~ 2480MHz
Modulation	FHSS/GFSK, $\pi/4$ DPSK, 8 DPSK
Channel intervals	1MHz
Number of channels	79CH
Power supply voltage	2.8~3.4V
Current consumption	50mA typ.
Transmission rate	2178kbps
Receive sensitivity	-82dBm typ.
Output level (Class2)	+4dBm max.
Dimensions	11.8(W)×12.6(D)×1.9(H)mm

DIMENSIONS

● WML-C57



Unit : mm

TERMINALS	
1. GND	17. PCM_SYNC
2. N.C.	18. PCM_OUT
3. RESET	19. N.C.
4. AIO [1]	20. GND
5. SPI_MISO	21. AIO [0]
6. SPI_CSB	22. PIO [9]
7. PCM_CLK	23. PIO [2]
8. SPI_MOSI	24. PIO [5]
9. VDD	25. N.C.
10. GND	26. PIO [3]
11. UART_CTS	27. N.C.
12. UART_RTS	28. PIO [4]
13. UART_TX	29. N.C.
14. UART_RX	30. GND
15. PCM_CLK	31. ANT
16. PCM_IN	32. GND