

Bluetooth® Module

WML-C40 Class 1

OUTLINE

This is a wireless communications module that conforms to Bluetooth® Ver.2.0+EDR.

Applications include laptops, PC peripheral devices, PDA, access points, etc.

*The Bluetooth® word mark and logos are owned by the Bluetooth SIG, Inc.



FEATURES

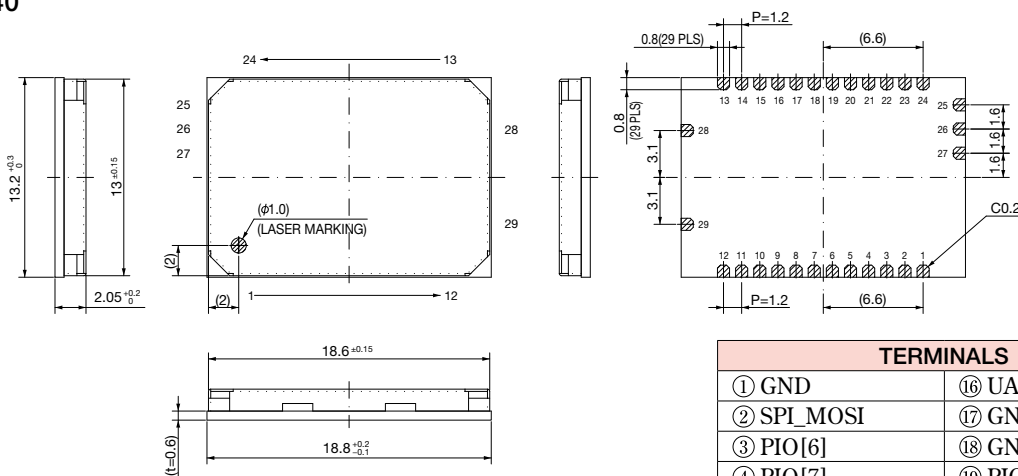
1. Reducing the size and thickness greatly due to the high-density surface mounting technology.
2. Long-distance communication due to its high sensitivity.
3. UART, PCM and USB interfaces allow realization of a wide variety of applications.
4. 8Mbits of Flash-ROM allow realization of a wide variety of applications.
5. Conforms to FCC, CE and the EMI standard of each country.
6. Conforming to Bluetooth® Class1.
7. Operating temperature range: -40~+70°C.

SPECIFICATIONS

Item	Specifications
Reception Frequency	2402 ~ 2480MHz
Modulation	FHSS/GFSK, $\pi/4$ DPSK, 8DPSK
Channel Intervals	1MHz
Number of Channels	79CH
Power Supply Voltage	3.3V(3.2~3.4V)
Current Consumption	90mA typ.
Transmission Rate	2178kbps max.
Receive Sensitivity	-82dBm typ.
Output Level (Class1)	+20dBm max.
Dimensions	13.2(W)×18.8(D)×2.05(H)mm

DIMENSIONS

● WML-C40



TERMINALS	
① GND	⑩ UART_CTS
② SPI_MOSI	⑪ GND
③ PIO[6]	⑫ GND
④ PIO[7]	⑬ PIO[2]
⑤ RESET	⑭ PIO[3]
⑥ SPI_CLK	⑮ PIO[5]
⑦ PCM_CLK	⑯ PIO[4]
⑧ PCM_SYNC	⑰ SPI_CSB
⑨ PCM_IN	⑱ SPI_MISO
⑩ PCM_OUT	⑲ GND
⑪ VDD	⑳ ANT
⑫ GND	㉑ GND
⑬ UART_RX	㉒ GND
⑭ UART_TX	㉓ GND
⑮ UART_RTS	

Unit : mm

* For the technical details of the products in this page, please refer to RF / NETWORK Sales Div. Phone: 042-310-5691.