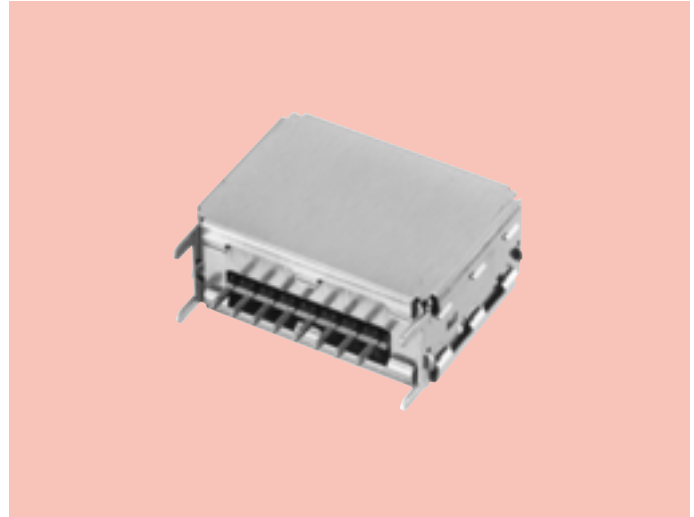


# Keyless Module

## WMF-R31, 32

### FEATURES

1. Light-weight vertical type.
2. 5V supply voltage.
3. Low current consumption 5.5mA typ..
4. Transmission rate 4800 bps.
5. Number of parts greatly reduced through use of original IC
6. Applicable over a wide temperature range (-30~+85°C) with high sensitivity.
7. Small form : 29.8(W) × 22(D) × 12.6(H) mm



### SPECIFICATIONS

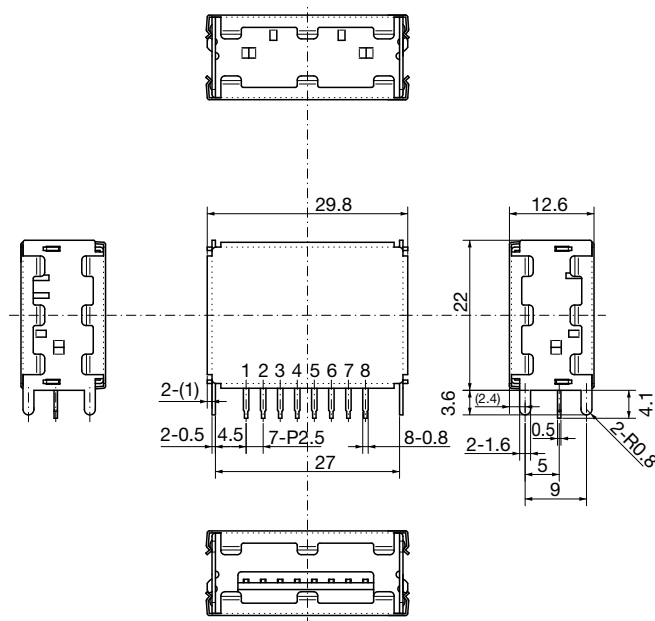
●WMF-R31

Item	Specifications				Remarks
	min.	typ.	max.	unit	
Receiving Frequency	313.830	313.850	313.870	MHz	-
Sensitivity	-	-112	-106	dBm	B.E.R=1% FSK+40kHz dev.
Image Rejection	-	35	-	dB	-
Freq. Drift vs. Ambient Temp.	-15	0	+15	kHz	-30~+80°C
Supply Voltage	4.5	5.0	5.5	V	-
Current Consumption	-	5.5	9	mA	-

●WMF-R32

Item	Specifications				Remarks
	min.	typ.	max.	unit	
Receiving Frequency	433.900	433.920	433.940	MHz	-
Sensitivity	-	-112	-106	dBm	B.E.R=1% FSK+40kHz dev.
Image Rejection	-	27	-	dB	-
Freq. Drift vs. Ambient Temp.	-20	0	+20	kHz	-30~+80°C
Supply Voltage	4.5	5.0	5.5	V	-
Current Consumption	-	5.5	9	mA	-

**DIMENSIONS**



TERMINALS	
①	ANT
②	GND
③	GND
④	NC
⑤	NC
⑥	DATA OUT
⑦	NC
⑧	V <sub>DD</sub>

Unit : mm