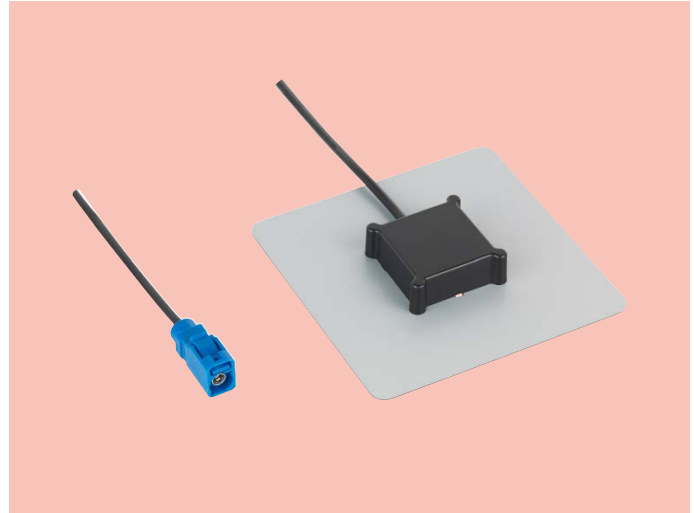


GNSS Antenna GPA-GS250

OUTLINE

This is a highly sensitive, efficient and wideband antenna for receiving GPS, GLONASS, Galileo and Beidou satellite waves.

It is a Mitsumi standard product used as a automotive assembly line genuine part.



FEATURES

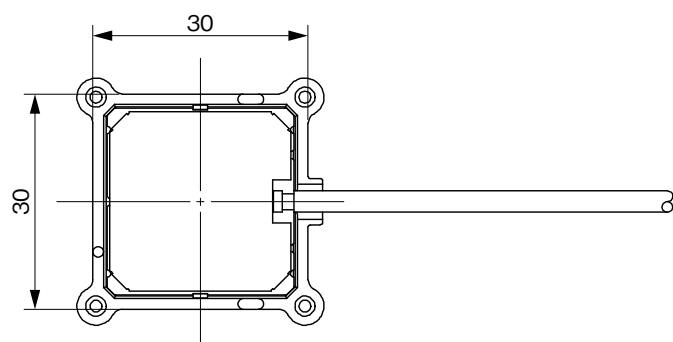
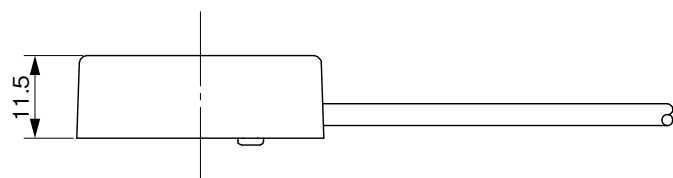
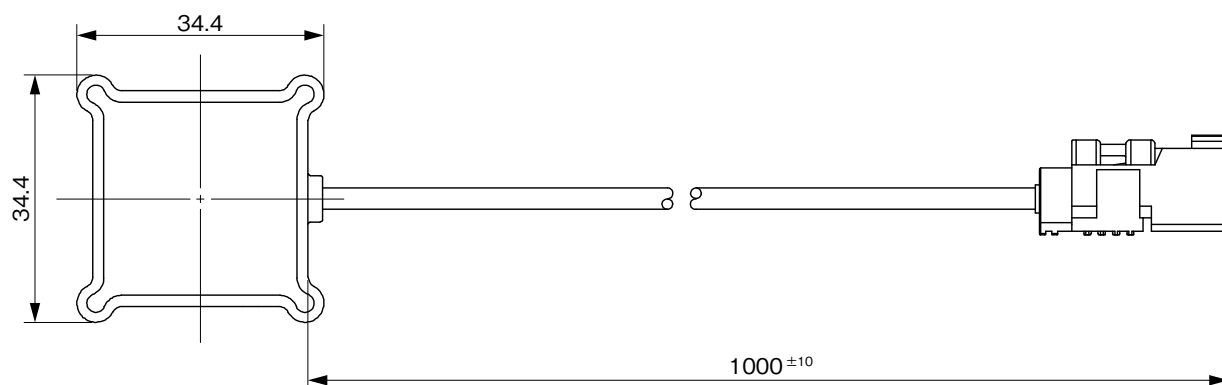
1. Utilizes Mitsumi standard case.
2. Miniature size 34.4(W)×34.4(D)×11.5(H)mm.
3. Small antenna element 25(W)×25(D)×4(H)mm.
4. Cable length and connector can be customized.
5. Various optional extras (mounting fixtures, spongers, and clips, etc.) are available to satisfy your needs.

SPECIFICATIONS

Item		Specifications
Antenna	Reception Frequency	1559.0 to 1605.375MHz
	Reception Polarization	Right Hand Circular Polarization
	Antenna Gain	0dBi typ. *1
	Output Impedance	50Ω
LNA	Reception Frequency	1559.0 to 1605.375MHz
	Noise Factor	1.2dB max.
	Gain	26dB typ.
	Ex-band Attenuation	18dB min. (f0±50MHz)
Overall	Overall Gain	26dBi typ. (Zenith)*1
	Power Supply Voltage	5.0V
	Current Consumption	22mA typ. 30mA max.
Minimum Order for Custom		30,000 unit per year

*1 : Gain is for the standard cable length of 1m and grounding plate measuring 60×60mm.

DIMENSIONS



Unit : mm