

GPS Antenna GPA-CG2C5

OUTLINE

This is a highly sensitive, efficient antenna for receiving GPS satellite waves. The GPA-CG2C5 is a Mitsumi standard product used as a automotive assembly line genuine part.



FEATURES

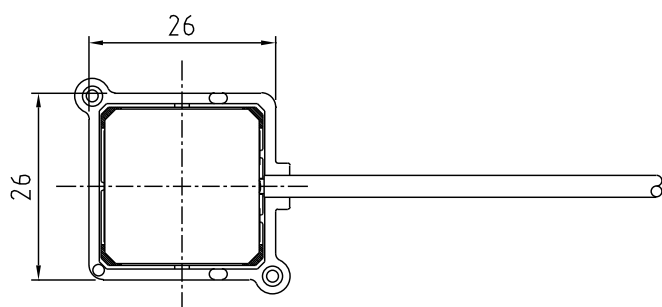
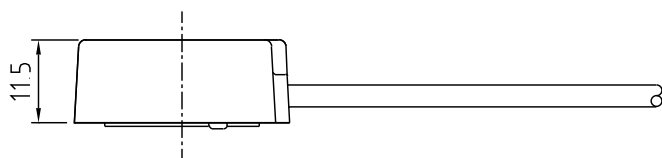
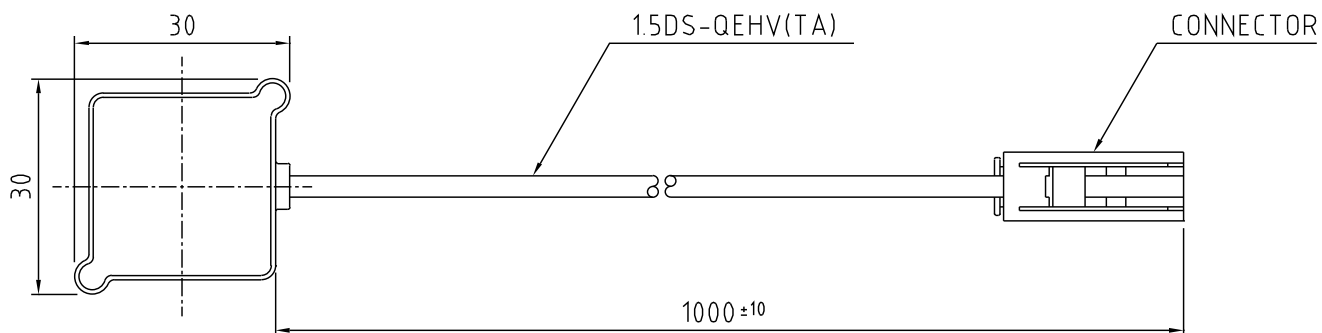
1. Utilizes Mitsumi standard case.
2. Miniature size 30(W)×30(D)×11.5(H) mm.
3. Small antenna element 20(W)×20(D)×4(H) mm.
4. Cable length and connector can be customized.
5. Various optional extras (mounting fixtures, spongers, and clips, etc.) are available to satisfy your needs.

SPECIFICATIONS

Item		Specifications
Antenna	Reception Frequency	1575.42±1.023MHz
	Reception Polarization	Right Hand Circular Polarization
	Antenna Gain	2.0dBi typ. *1
	Output Impedance	50Ω
LNA	Reception Frequency	1575.42±1.023MHz
	Noise Factor	1.1dB typ.
	Gain	26dB typ.
	Gain Flatness (Within Reception Band)	1dB max.
	Ex-band Attenuation	18dB min. (fo±50MHz)
Overall	Overall Gain	28dBi typ.(Zenith) *1
	Power Supply Voltage	5.0V
	Current Consumption	17mA typ. 25mA max.
Minimum Order		30,000pcs/year

*1 Gain is for the standard cable length of 1m and grounding plate measuring 40×40mm.

DIMENSIONS



Unit : mm