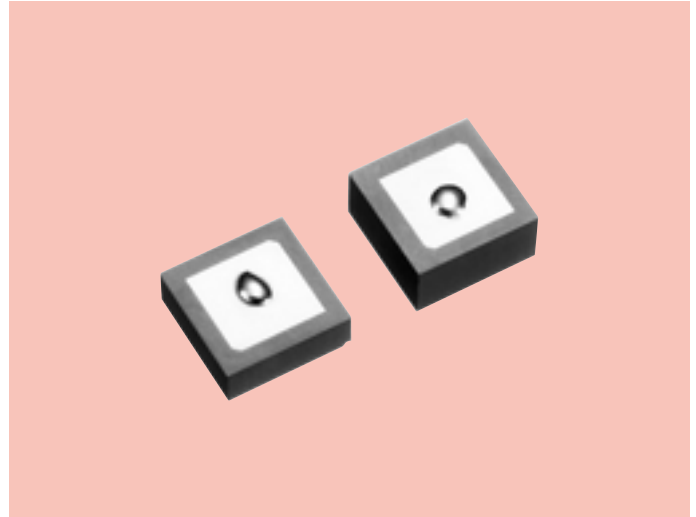


GPS Antenna ANT-JX2, JX3

OUTLINE

This is a highly sensitive, efficient antenna for receiving GPS satellite waves. The antenna element can be supplied separately, and so it optimum for small sets, such as portable equipment.

ANT-JX2(t=6mm), ANT-JX3(t=4mm)



FEATURES

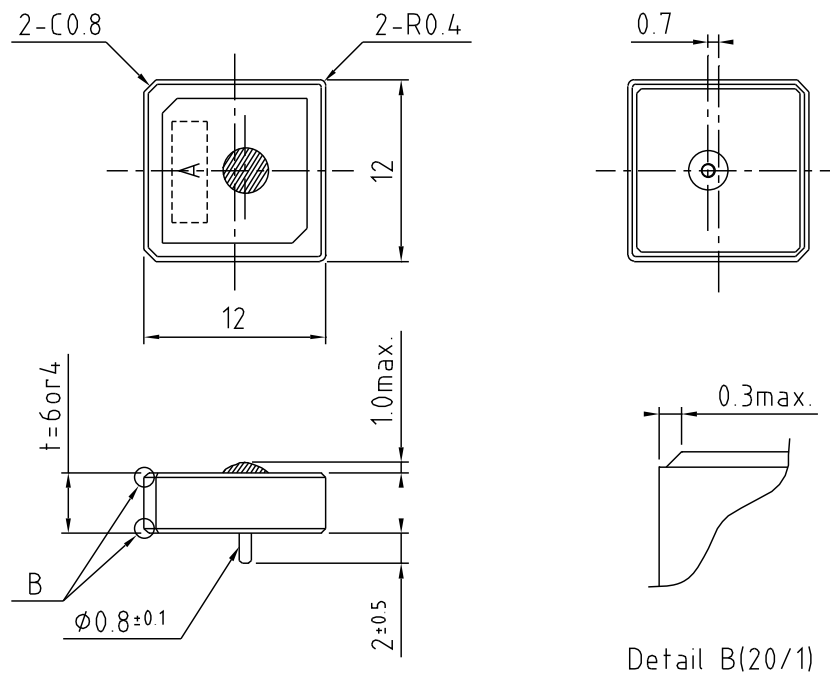
1. Small antenna element (12×12mm, thickness t=6 or 4mm).
2. Thickness can be selected to suit the desired gain (t=6 or 4mm).
3. The antenna pattern can be custom designed to match the specified case.

SPECIFICATIONS

Item		Specifications
Antenna	Reception Frequency	1575.42±1.023MHz
	Reception Polarization	Right Hand Circular Polarization
	Antenna Gain	-1~-2dBi typ. *1
	Output Impedance	50Ω
Minimum Order		300,000pcs/year

*1 Conditions : on the 15×15mm grand board.

DIMENSIONS



Note
Stamp the Manufacturing Date Code on part A.

Unit : mm