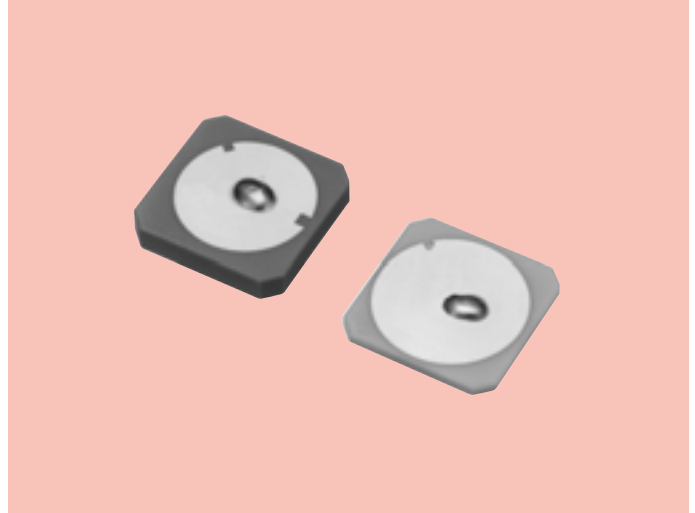


GPS Antenna ANT-J20

OUTLINE

This is a highly sensitive, efficient antenna for receiving GPS satellite waves. The antenna element can be supplied separately, and so it optimum for small sets, such as portable equipment.



FEATURES

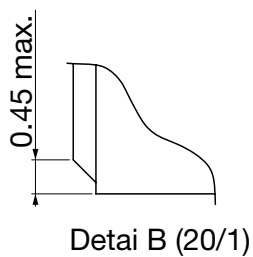
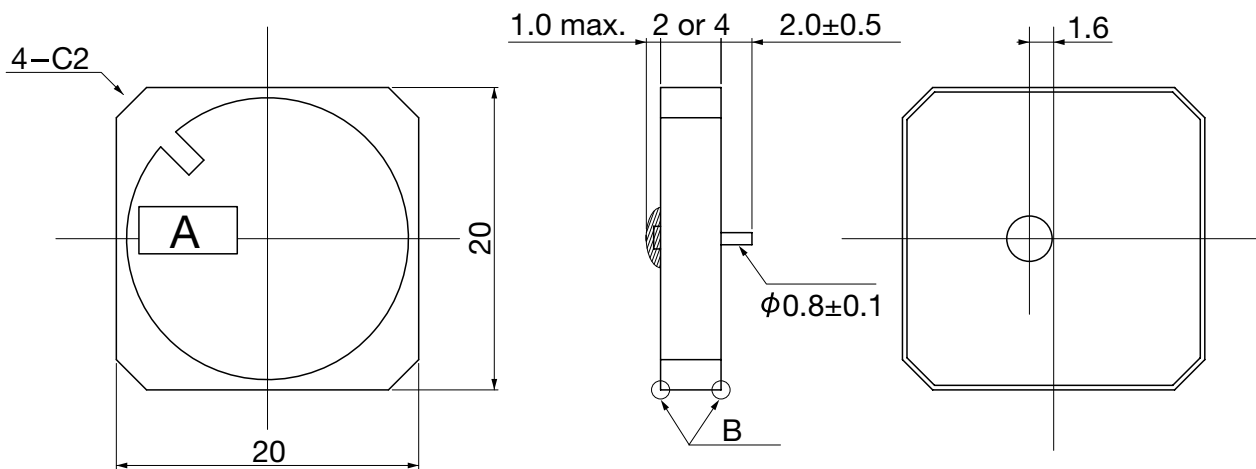
1. Small antenna element (20×20mm, thickness t=2 or 4mm).
2. Thickness can be selected to suit the desired gain (t=2 or 4mm).
3. The antenna pattern can be custom designed to match the specified case.

SPECIFICATIONS

Item		Specifications
Antenna	Reception Frequency	1575.42±1.023MHz
	Reception Polarization	Right Hand Circular Polarization
	Antenna Gain	+1.0~-1.5dBi typ. *1
	Output Impedance	50Ω
Minimum Order		300,000pcs/year

*1 Conditions : on the 22×22mm grand board.

DIMENSIONS



Unit : mm

Note

1. Stamp the Manufacturing Date Code on part A.