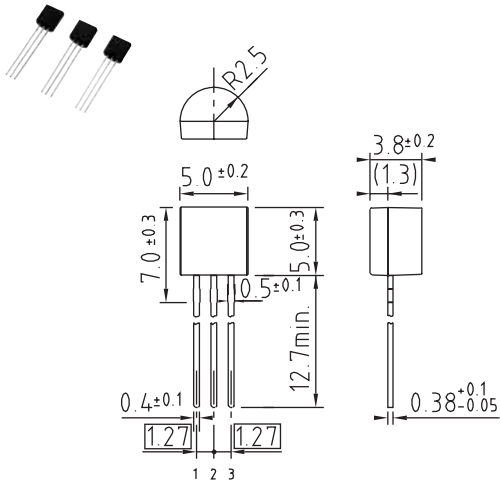


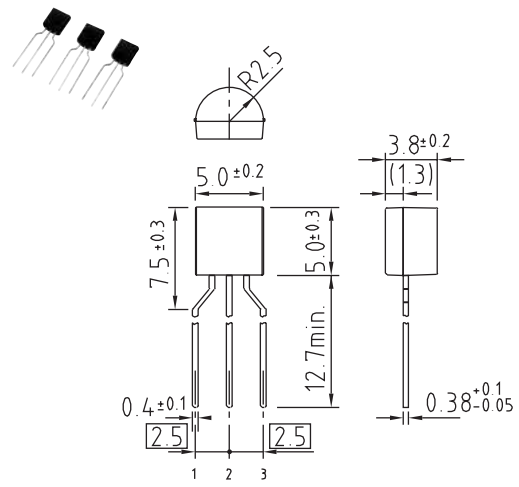
Packages (TO Series)

Units : mm

TO-92A (BULK)



TO-92A (TAPING)



TO-252A

