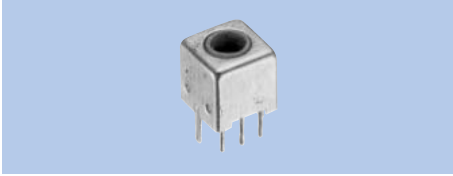


Adjustable Coils PIN Type M Series

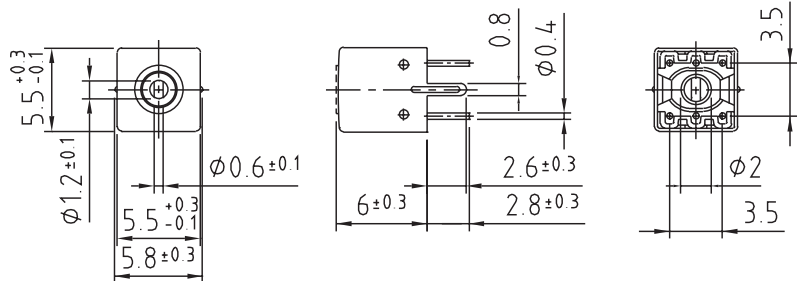
Coils, Transformers

M5-H1

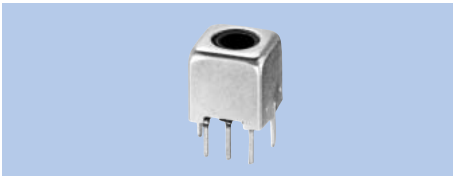


Specifications

- (1) 0.03~130μH
- (2) 10~200MHz
- (3) F:±2%
L:±4%
- (4) -
- (5) 30~80

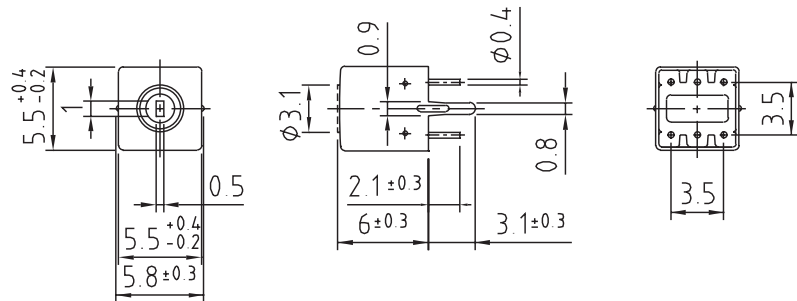


M5-D2

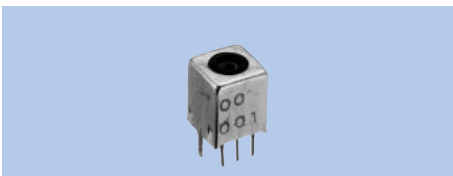


Specifications

- (1) 0.03~10μH
- (2) 10~200MHz
- (3) F:±2%
L:±4%
- (4) -
- (5) 30~80

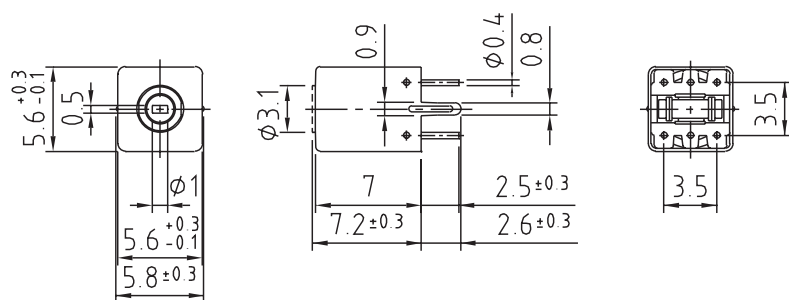


M5-F2



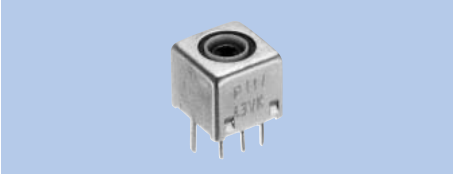
Specifications

- (1) 0.03~18μH
- (2) 10~200MHz
- (3) F:±2%
L:±4%
- (4) -
- (5) 30~80



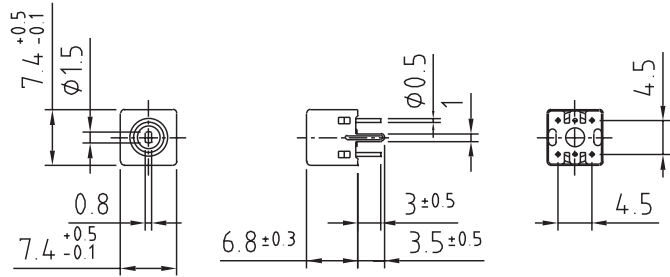
- (1) Inductance
- (2) Operational frequency
- (3) Variable range of F & L
- (4) Internal capacitance
- (5) Unloaded Q

M7-C1



Specifications

- (1) 0.1~40 μ H
- (2) 10~120MHz
- (3) F: \pm 2%
L: \pm 5%
- (4) -
- (5) 70~110

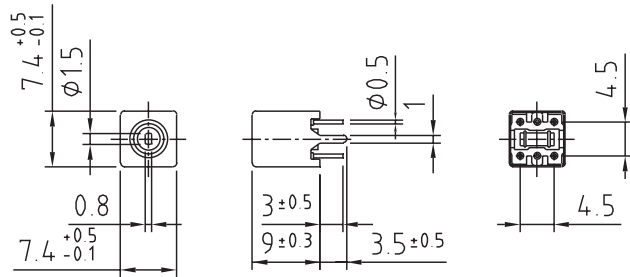


M7-T1



Specifications

- (1) 0.1~40 μ H
- (2) 10~200MHz
- (3) F: \pm 2%
L: \pm 5%
- (4) -
- (5) 40~100



- (1) Inductance
- (2) Operational frequency
- (3) Variable range of F & L
- (4) Internal capacitance
- (5) Unloaded Q