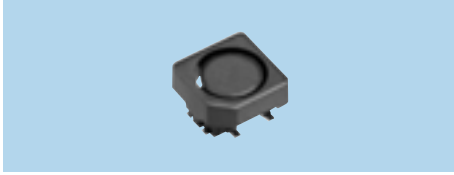


Step Up DC/DC Converter Transformers for Strobe Light CT Series

C3-T2.2R

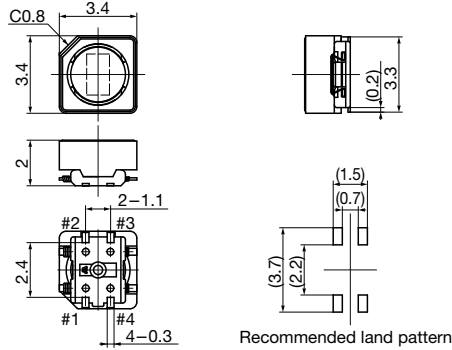


Specifications

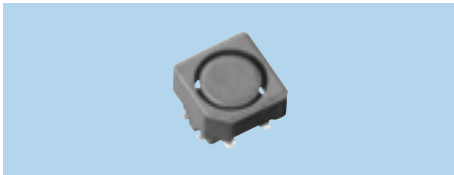
- (1) -
- (2) 10~1,000kHz
- (3) 0.5W

Features

- SMD
- 2,000pcs./Reel



C3-T2.5R

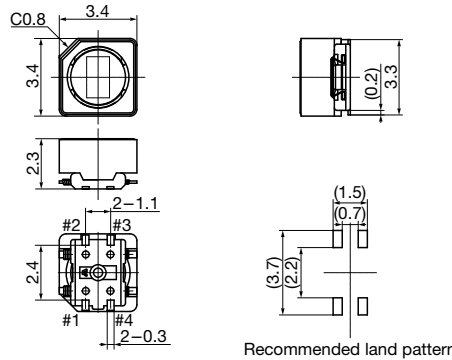


Specifications

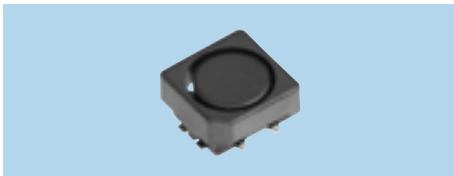
- (1) -
- (2) 10~1,000kHz
- (3) 0.6W

Features

- SMD
- 2,000pcs./Reel



C4-T2.5R

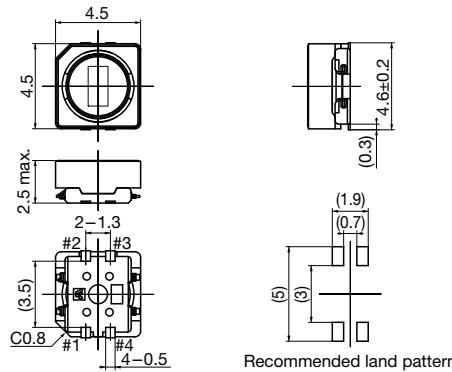


Specifications

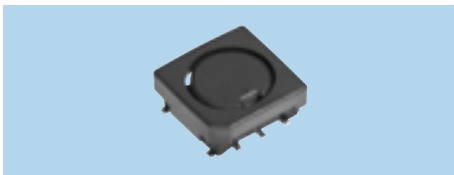
- (1) -
- (2) 10~1,000kHz
- (3) 0.8W

Features

- SMD
- 2,000pcs./Reel



C5-T2.2R1

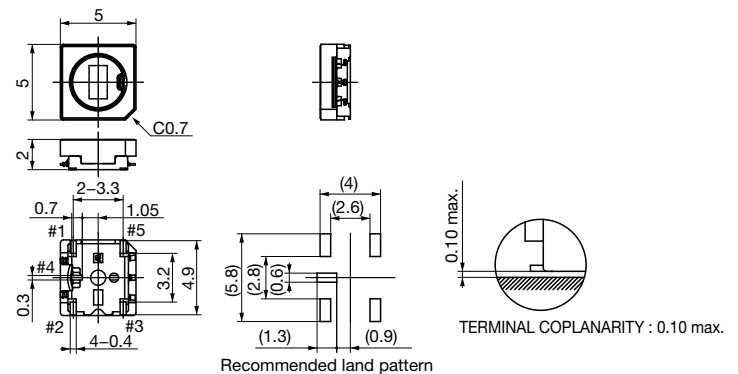


Specifications

- (1) -
- (2) 10~1,000kHz
- (3) 0.8W

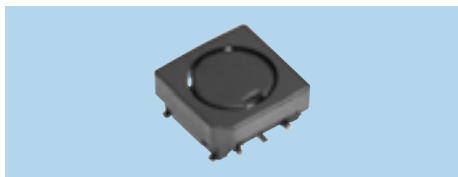
Features

- SMD
- 2,000pcs./Reel



- (1) Inductance
- (2) Operational frequency
- (3) Power capacity

C5-T2.5R1

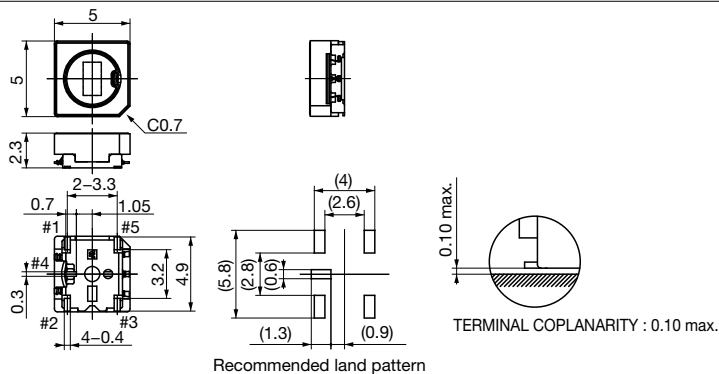


Specifications

- (1) -
- (2) 10~1,000kHz
- (3) 1W

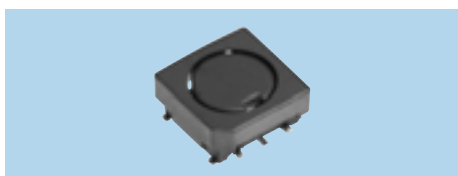
Features

- SMD
- 2,000pcs./Reel



Recommended land pattern

C5-T3R1

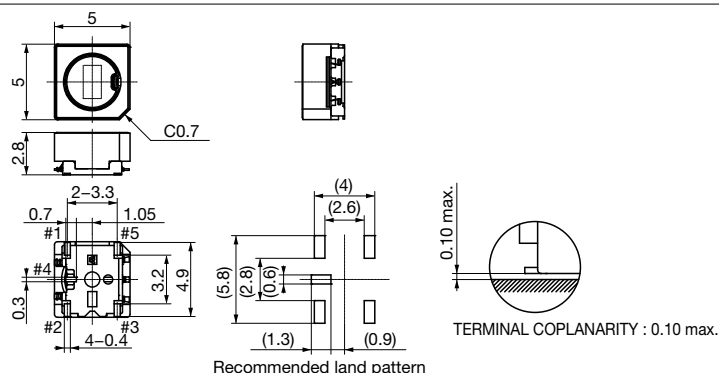


Specifications

- (1) -
- (2) 10~1,000kHz
- (3) 1.2W

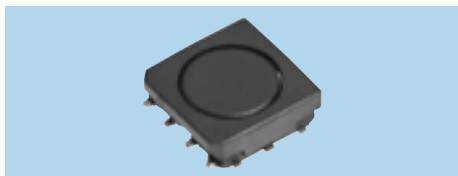
Features

- SMD
- 2,000pcs./Reel



Recommended land pattern

C6-T2.2R

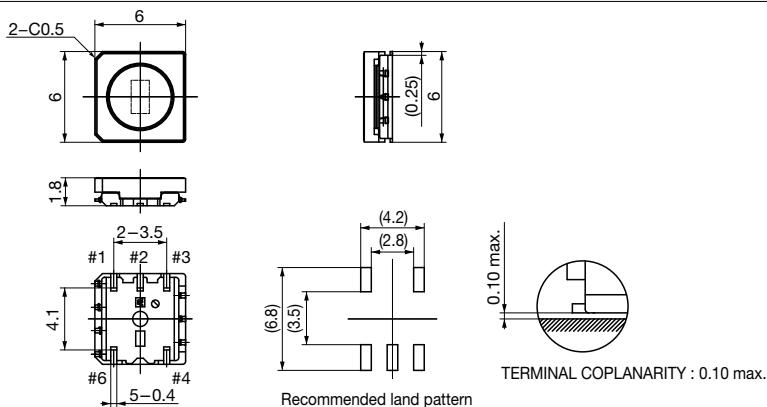


Specifications

- (1) -
- (2) 10~1,000kHz
- (3) 1W

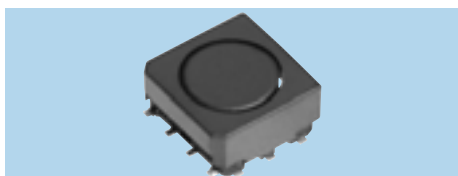
Features

- SMD
- 2,000pcs./Reel



Recommended land pattern

C6-T3R

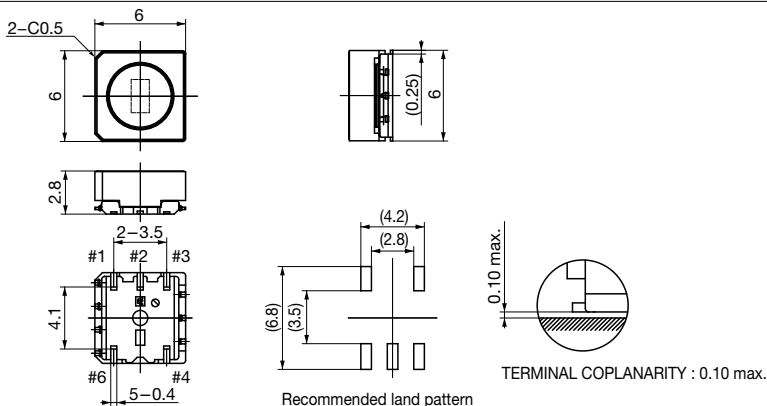


Specifications

- (1) -
- (2) 10~1,000kHz
- (3) 1.5 W

Features

- SMD
- 2,000pcs./Reel



Recommended land pattern

- (1) Inductance
- (2) Operational frequency
- (3) Power capacity