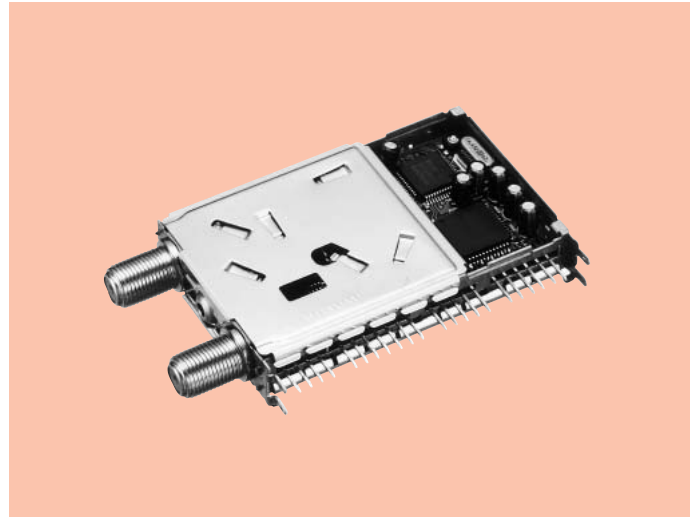


# 2nd RF Units for Satellite Broadcasting Receiver TSU26 Series

DBS 2nd RF Units, CATV Converters

## OUTLINE

TSU26 series are the satellite broadcast receiving 2nd RF unit containing a built-in video processing circuit and a PCM audio processing circuit.



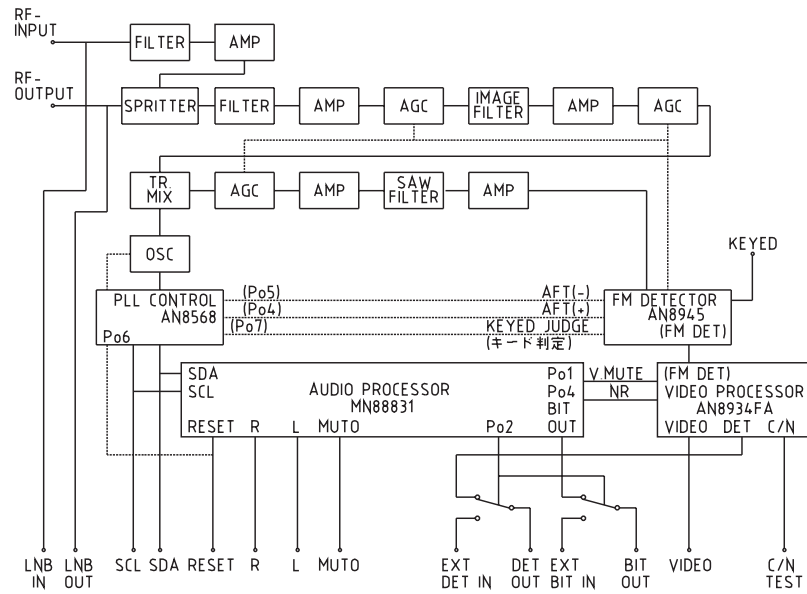
## FEATURES

1. Japanese band BS receiving RF unit.
2. A video processing circuit and a PCM audio processing circuit are built in.
3. High sensitivity and excellent resist blockage character characteristic.
4. A level output terminal is provided for detecting the input C/N signal intensity.
5. Low loss distributor is built in to the other tuner.
6. A built-in high-vision mode AFT is provided.
7. Channel selection PLL and audio processing are I<sup>2</sup>C-controlled.

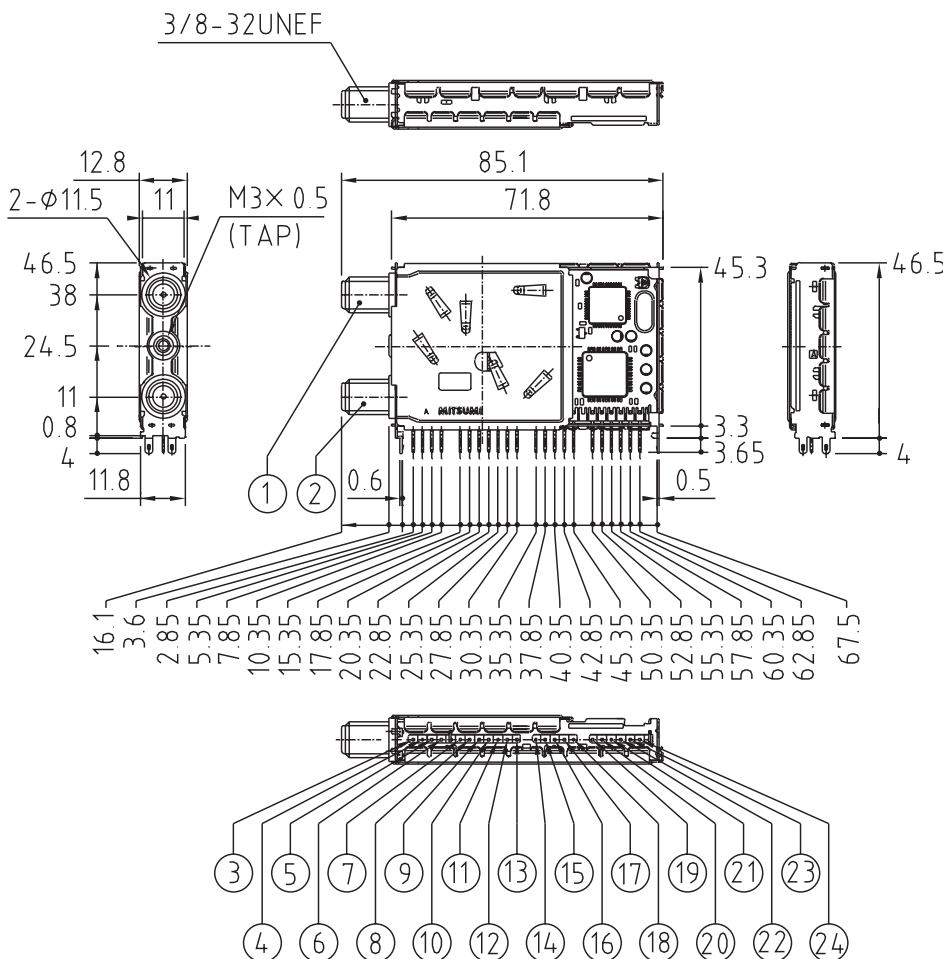
## SPECIFICATIONS

Item	Specification	TSU25-J**DTK Japan band	Remarks
Input Frequency		1035~1335MHz	
Input Impedance		75Ω	
Input Level		-25~-65dBm	F-female
IF Frequency		402.78Hz	
Video Level		1.0V <sub>p-p</sub> typ.	75Ω
Output Group Delay		±10ns typ.	50Hz~10.5MHz
Audio Level		0.8V <sub>rms</sub> typ.	FS, 1kHz
Audio S/N		85dB typ.	FS, 1kHz
Audio Cross Talk		65dB typ.	FS, 125Hz~10kHz
Bit Stream Output		0.5V <sub>p-p</sub> typ.	75Ω

## BLOCK DIAGRAM



## DIMENSIONS



Terminals	
1.	RF IN
2.	RF OUT
3.	+B1 (15V)
4.	NC
5.	LNB OUT
6.	+B3 (5V)
7.	KEYED IN
8.	+B4 (5V)
9.	DET OUT2
10.	TUN (9V)
11.	DET OUT1
12.	BIT DET
13.	A5 (5V)
14.	DET IN
15.	C/N OUT
16.	BIT IN
17.	RESET
18.	VIDEO OUT
19.	L OUT
20.	+B5 (5V)
21.	R OUT
22.	BIT OUT
23.	SCL
24.	SDA

Unit : mm  
General Tolerance : ±0.5mm