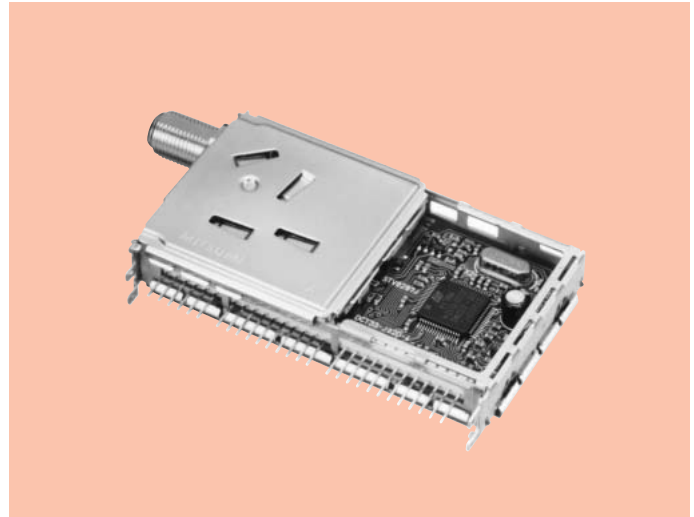


Digital CATV Up/Down Converters DCT33 Series

OUTLINE

Incorporates high performance demodulation IC that supports TSMF, and utilizes up/down conversion in spite of its small size.
Can be used for digital CATV broadcasting, such as in CATV tuners and BS digital retransmission having high performance with high distortion characteristics.



FEATURES

1. Incorporates TSMF-supporting high performance demodulation IC
2. Achieves stable reception due to excellent distortion performance
3. Excellent BER performance and C/N margin
4. Same shape as BS digital and terrestrial digital tuners.

USES

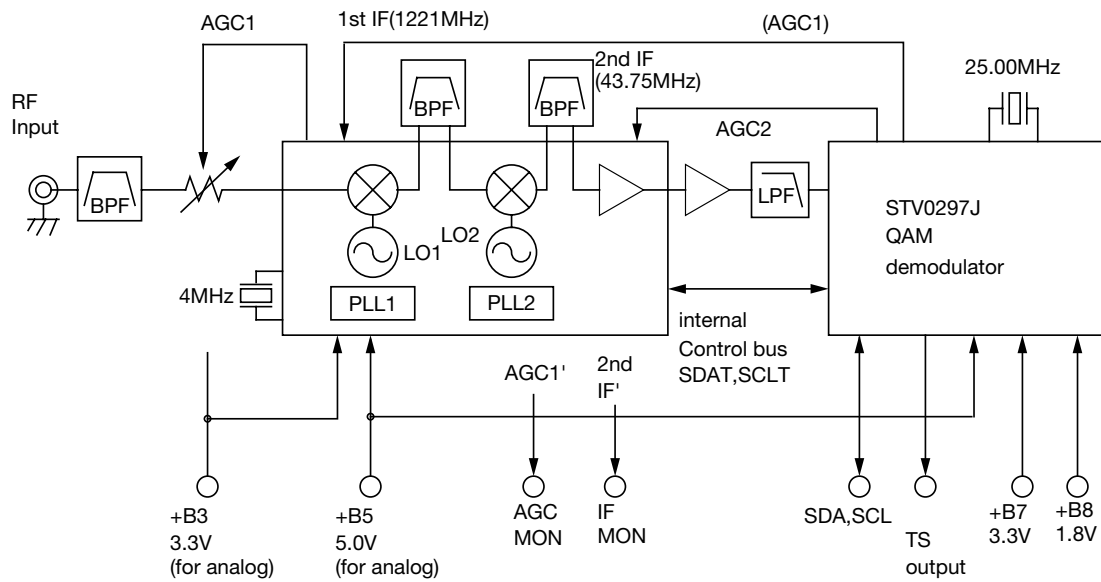
TSMF-supporting digital CATV broadcasting STB and others

SPECIFICATIONS

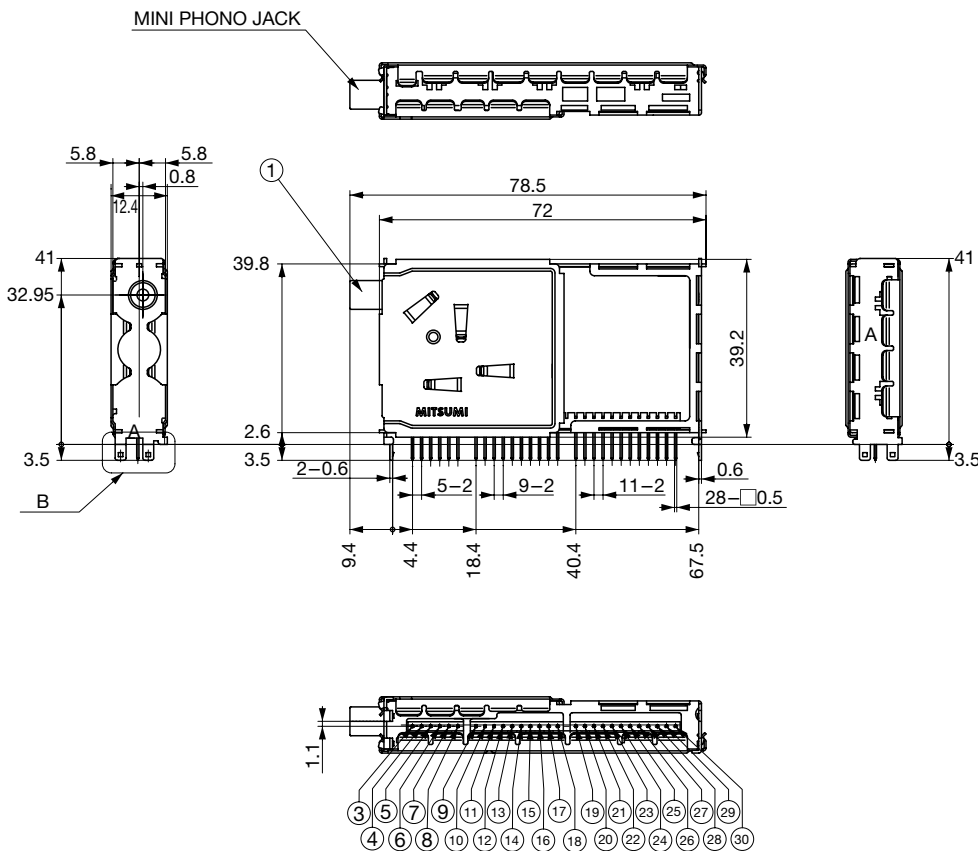
Item	Specifications
Input Frequency Range	54~770MHz
Input Impedance	75Ω
Input Level Range	50~85dBμV
Symbol Rate Range	5.274 MSPS
Modulation Method	64QAM
Demodulator Standard	DVB-C (Annex-A,B,C), TSMF
Output Data	8bit Paralle, Serial
Controller Bus Interface	I ² C
Power Supply Voltage	1.8V, 3.3V, 5.0V
Dimension	72 (W)×41 (D)×12.4 (H) mm

★Note Specifications subject to change without notice.

BLOCK DIAGRAM



DIMENSIONS



Terminals	
1.	RF IN
2.	-
3.	NC
4.	GND
5.	NC
6.	+B3 (3.3V)
7.	+B5 (5V)
8.	NC
9.	NC
10.	PSYNC
11.	TSVAL
12.	DO0
13.	DO1
14.	DO2
15.	DO3
16.	DO4
17.	DO5
18.	DO6
19.	DO7
20.	TSCLK
21.	TSERR
22.	SYNC
23.	AUX
24.	INT
25.	+B8 (1.8V)
26.	+B7 (3.3V)
27.	SCL
28.	SDA
29.	NRST
30.	NC

Unit : mm
General Tolerance : ±0.5mm