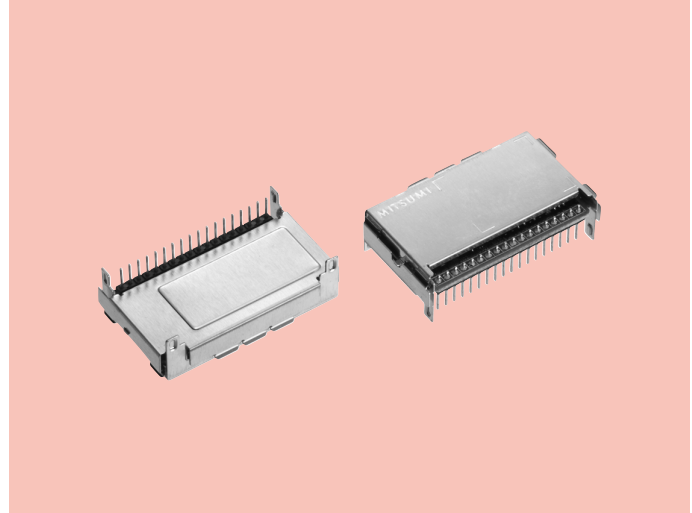


Automotive DAB Single Tuner Module

DAB18 Series

OUTLINE

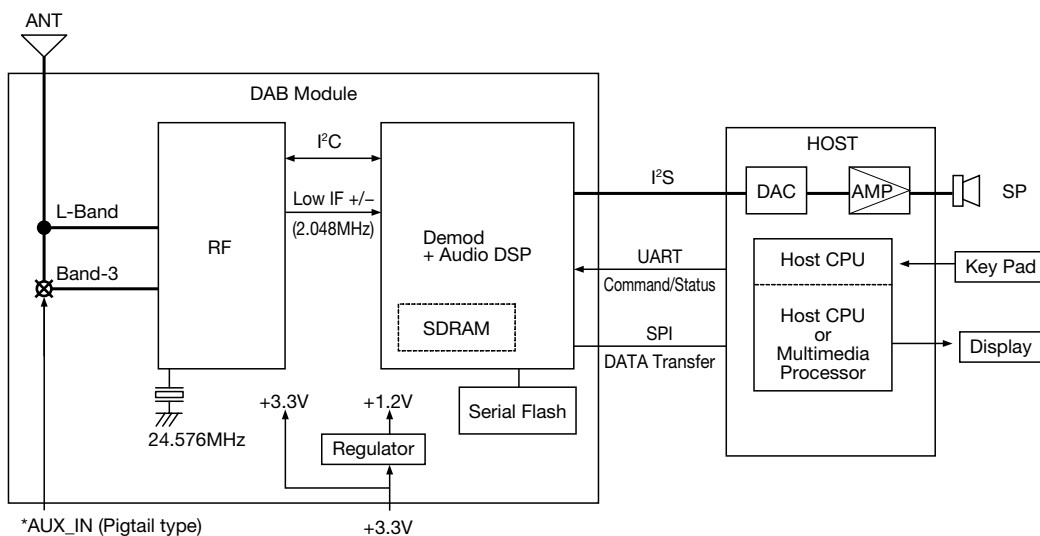
DAB/DAB+/DMB Receiver Tuner Module
 Supports Data Service. *Profile 1 compliant



FEATURES

1. Compact and low-profile *Vertical/Horizontal/Pigtail type.
2. Supports various data services with a built-in decoder.
3. RoHS-compliant.

BLOCK DIAGRAM

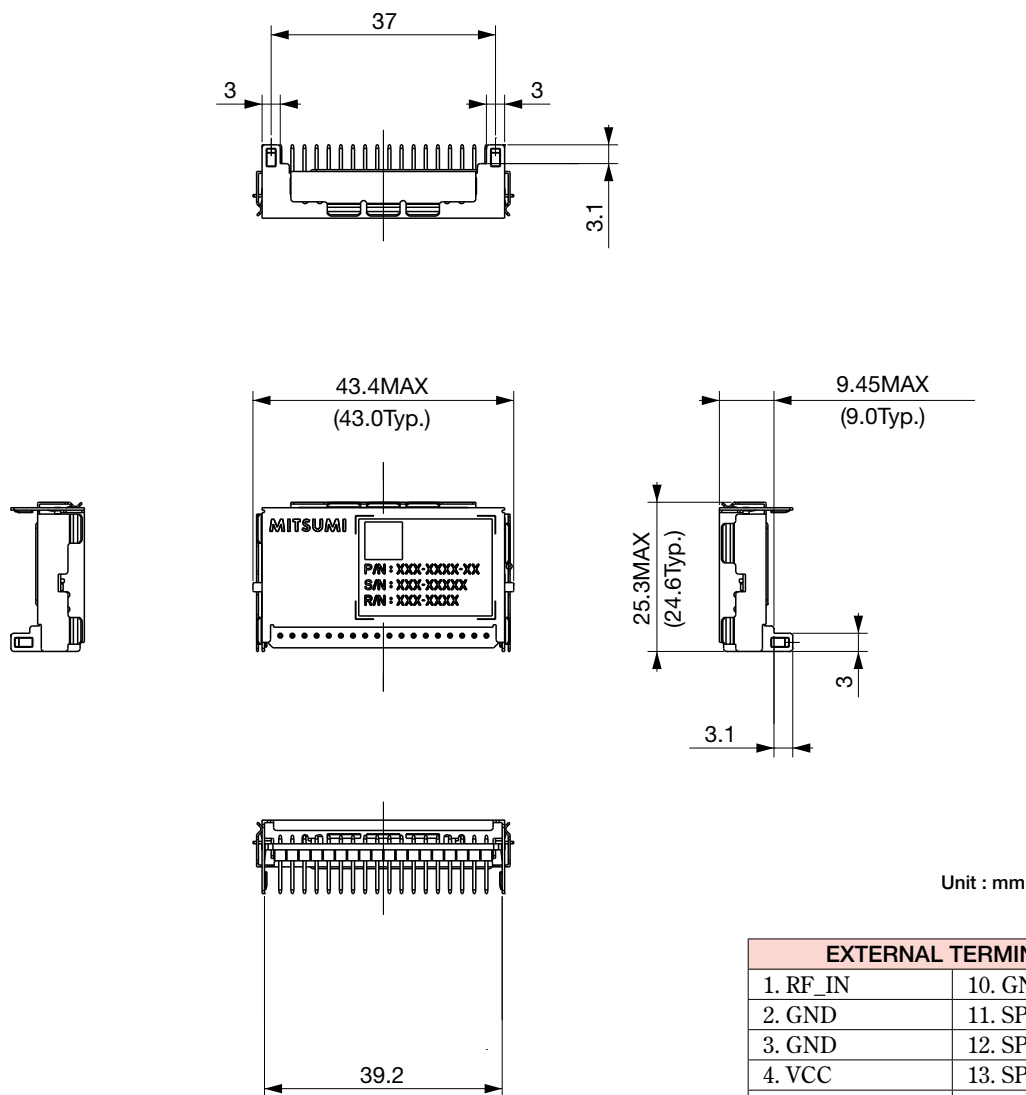


• Any products mentioned in this catalog are subject to any modification in their appearance and others for improvements without prior notification.
 • The details listed here are not a guarantee of the individual products at the time of ordering. When using the products, you will be asked to check their specifications.

SPECIFICATIONS

Item	Specifications
Frequency Range	Band III (174.928-239.2MHz), L-Band (1452.96-1490.624MHz)
Audio Output	I ² S (MPEG Audio Layer II, HE-AAC v2, BSAC decoding)
Data Service Output	UART & SPI (Data Service Transfer)
Sensitivity	-100dBm (typ.) / Band III, -99dBm (typ.) / L-Band
Far-off Selectivity	> 59dB (typ.)
Adjacent Channel Selectivity	> 45dB (typ.)
Supply Voltage/Power Consumption	3.3V (typ.) / 495mW (typ.)
Weight	10±2g
Dimensions	43.4(W) × 25.3(D) × 9.45(T) mm (max)

DIMENSIONS



EXTERNAL TERMINALS	
1. RF_IN	10. GND
2. GND	11. SPI_CSB_G
3. GND	12. SPI_MISO
4. VCC	13. SPI_MOSI
5. GND	14. SPI_CLK
6. /RESET	15. MCLK
7. BMODE1	16. BCLK
8. URX	17. LRCK
9. UTX	18. DAO

• Any products mentioned in this catalog are subject to any modification in their appearance and others for improvements without prior notification.
 • The details listed here are not a guarantee of the individual products at the time of ordering. When using the products, you will be asked to check their specifications.