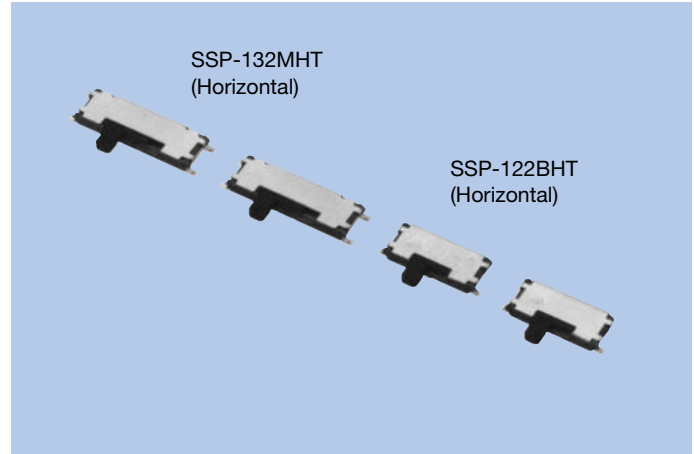


# H=1mm Slide Switches SSP Series

## FEATURES

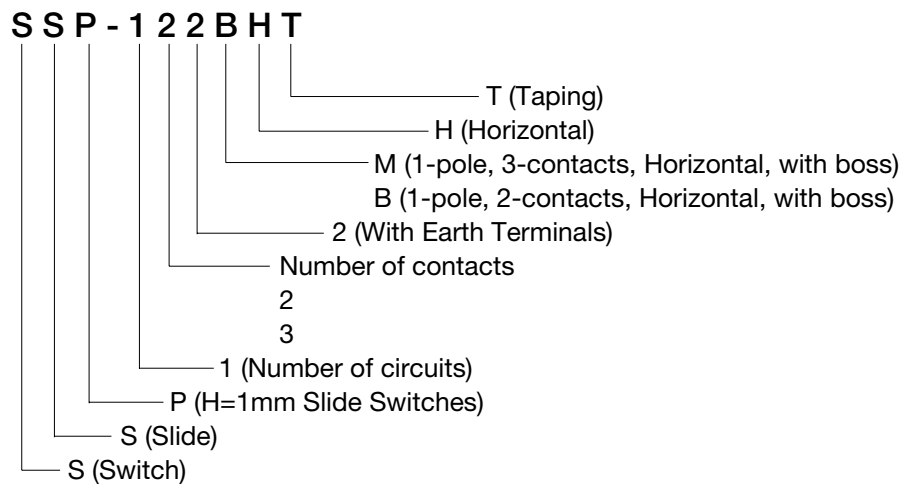
1. 1mm in height (horizontal).
2. Suitable for SMT reflow soldering.
3. Packaged in a tape (taping package) to allow the auto mounting of switches.
4. 1-pole, 2-contacts (SSP-122BHT), 1-pole, 3-contacts (SSP-132MHT).
5. Changeover timing cannot be specified.



## APPLICATIONS

1. For portable audios, radios, LCD TVs, video cameras, etc.
2. For protecting overwrite of memory cards.

## MODEL NAME CODE



## SPECIFICATIONS

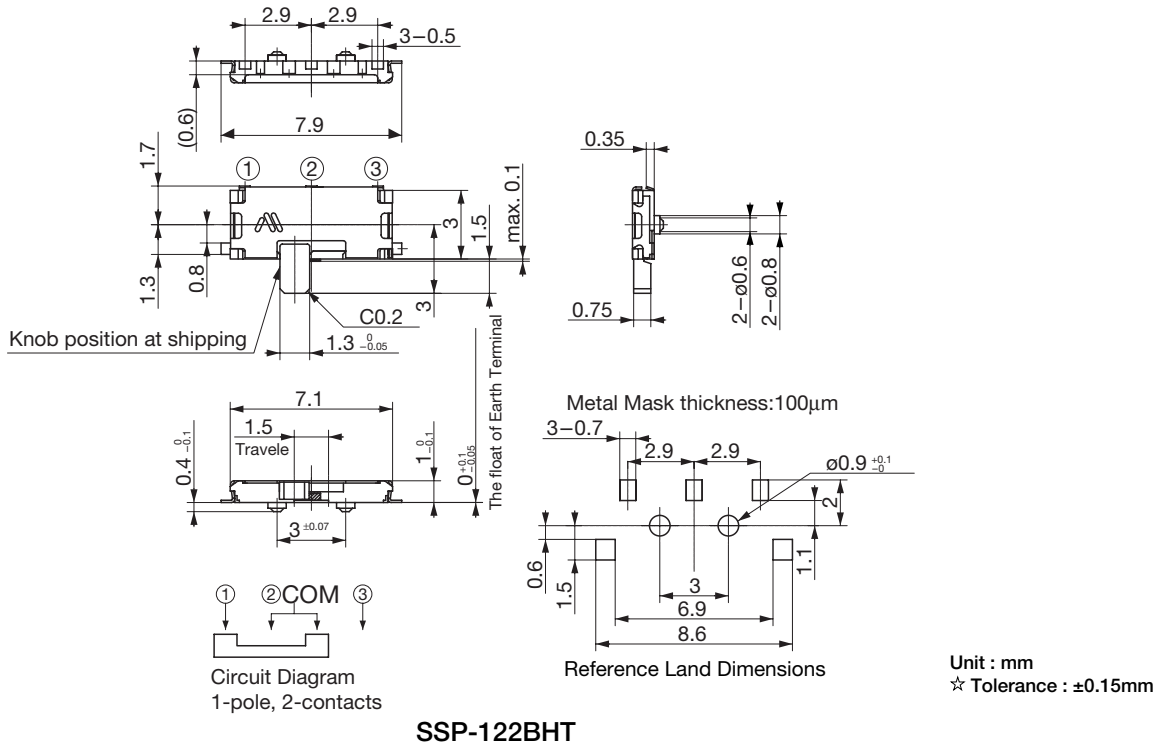
Electrical Characteristics	Rating		0.3A, 4V DC
	Contact Resistance		1Ω or less
	Insulation Resistance		10MΩ or more
	Withstand Voltage		1 minute at 100V AC
Mechanical Characteristics	Operating Force	2-contacts type	1.47±0.98N
		3-contacts type	1.5±1N
Life		2-contacts type	10,000cycles
		3-contacts type	5,000cycles

• Any products mentioned in this catalog are subject to any modification in their appearance and others for improvements without prior notification.  
 • The details listed here are not a guarantee of the individual products at the time of ordering. When using the products, you will be asked to check their specifications.

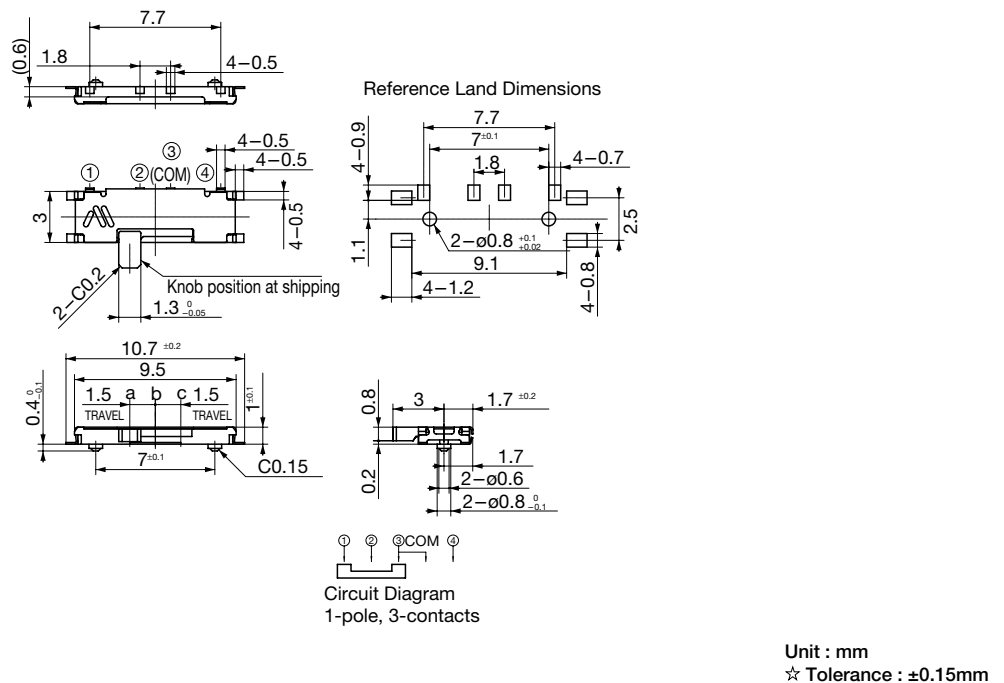
TYPE

Model Name Code	Order Number	No. of Poles	No. of Contacts	Travel (mm)	Knob Direction	Boss	Pcs/Reel
SSP-122BHT	R 666546	1	2	1.5	Horizontal	With	5,000
SSP-132MHT	R 667050	1	3	1.5	Horizontal	With	5,000

DIMENSIONS



SSP-122BHT



SSP-132MHT

• Any products mentioned in this catalog are subject to any modification in their appearance and others for improvements without prior notification.  
 • The details listed here are not a guarantee of the individual products at the time of ordering. When using the products, you will be asked to check their specifications.