

Power Supply Unit for LED Lighting (Compliant to the higher harmonic current regulation) PSU-LED (A Type) Series

Adaptors, Chargers/Switching Power Supplies

OUTLINE

Support long life required for LED lighting and Compliant to the higher harmonic current regulation. Equipped with a simple lighting control function with one volume control knob.



FEATURES

1. Standard product lineup to meet output and current specifications.
(Four types of products for AC100V input and AC240V input)
2. Constant current drive type.
3. Compliant to the higher harmonic current regulation, IEC61000-3-2.
4. Designed in compliance with UL1310, Japan electrical appliance and material safety law.
5. High efficiency. (> 70~85%)
6. Primary and secondary side isolation structure.
7. Long life: More than 50,000 hours. (@ Ta=50°C)
8. Slim design to allow all products to enter into the 70mm øhole.
9. Equipped with an AC input terminal board.
10. With mounting holes (M4) for easy fixing of the unit.
11. Simple lighting control function with external volume resistance.

SPECIFICATIONS

Item	Specifications
Operation Temperature Range	0~50°C
Storage Temperature Range	-20~60°C
External Volume Control Knob for Lighting Control	100kΩ, 10A (EIAJ standard)
Input Voltage Rating	100V Specification: AC100 120V, 200V Specification: AC220 / 240V
Input Frequency	50/60Hz
Rated Load	Refer to Product Lineup Table (next page)
Output Current Rating	Refer to Product Lineup Table (next page)
Output Current Accuracy	Rated current ±10%
Output Current Ripple	Output current×50%o-p or less
Lighting Control Range	0 to Rated output current
Higher Harmonic Current Regulation	Complainant to IEC61000-3-2
EMC Noise	Compliment to CISPR Class B
Life	50,000 H or more
Efficiency	70~85% (Subject to change depending on output voltage / output current specification)

• Any products mentioned in this catalog are subject to any modification in their appearance and others for improvements without prior notification.
• The details listed here are not a guarantee of the individual products at the time of ordering. When using the products, you will be asked to check their specifications.

USES

Can be applicable to LED lighting and indicator such as down light, toilet rack light, and foot light.

Product Lineup Table

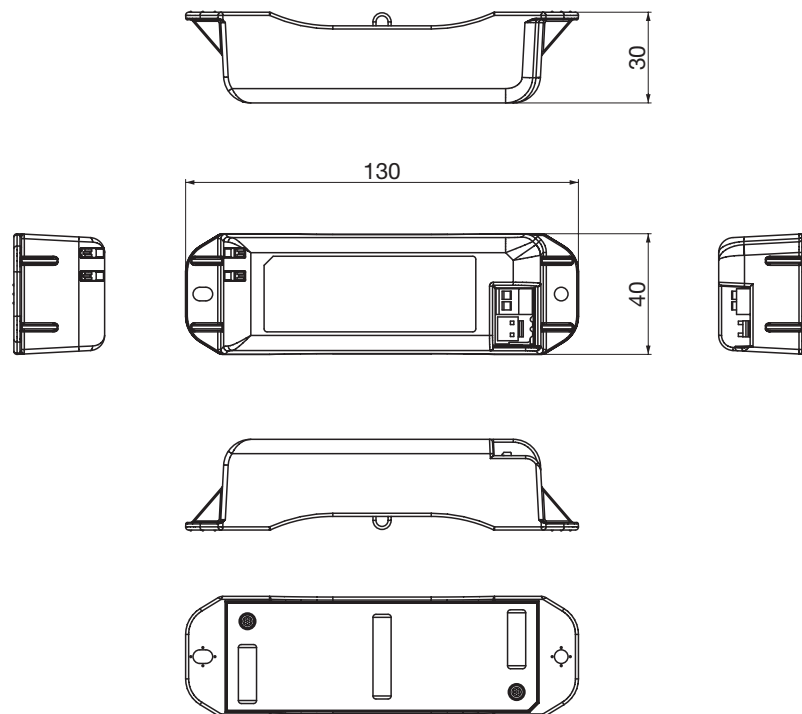
■ AC100V series input

		Output current		
		120mA	275mA	350mA
Output voltage	44V 12 LEDs or less (Serial connection)	5.5W	—	—
	12V 3 LEDs or less (Serial connection)	—	3.5W	4.2W

■ AC 200V series input

		Output current		
		120mA	275mA	350mA
Output voltage	44V 12 LEDs or less (Serial connection)	5.5W	—	—
	12V 3 LEDs or less (Serial connection)	—	3.5W	4.2W

DIMENSIONS



Unit: mm