

4W Car Adaptors VAK Series

OUTLINE

Car adaptor for use with small, portable electronic equipments used in cars. Practical design makes it easy to plug into the cigarette lighter socket.



FEATURES

1. Standard Mitsumi case.
2. Uses 4 contact point method to improve reliability.
3. For negative ground cars only.
4. The switch ensures stable connection to any size cigarette lighter socket.

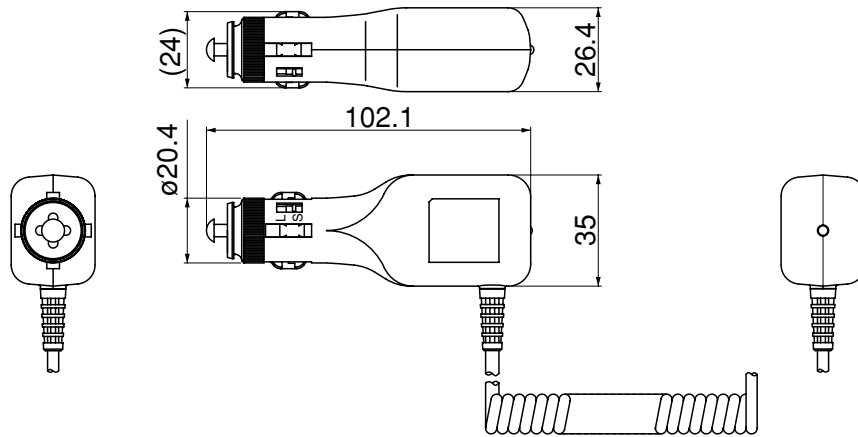
USES

1. Small electronic equipment used in cars.

SPECIFICATIONS

Item	Specifications
Input voltage	DC 12~24V
Output capacity	4W
External dimensions	35 (W) × 102.1 (D) × 26.4 (H)mm

DIMENSION



Unit: mm

★Depending on the structure of the area around the cigarette lighter jack, it may not be possible to plug in and use the Car Adaptor.

- Any products mentioned in this catalog are subject to any modification in their appearance and others for improvements without prior notification.
- The details listed here are not a guarantee of the individual products at the time of ordering. When using the products, you will be asked to check their specifications.