

# AC Chargers for Li-ion Battery Pack

## DTC-S1P/S1I Series

Adaptors, Chargers/Switching Power Supplies

### OUTLINE

The case can be customized according to the battery shape and the plug or inlet also can be chosen according to the destination.



### FEATURES

1. Case specifications are semi-customized.
2. Both AC plug type and inlet type are available.
3. Worldwide Input voltages are supported.
4. Output specifications can be customized.

### USES

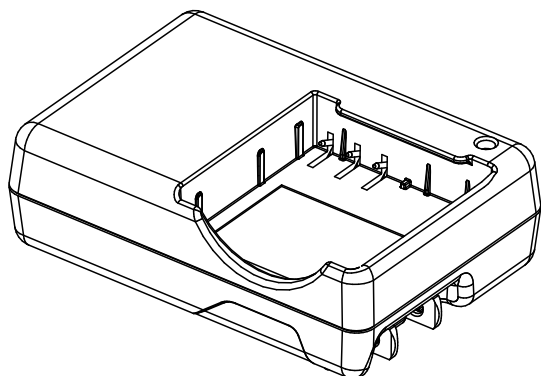
1. Li-ion battery.

### SPECIFICATIONS

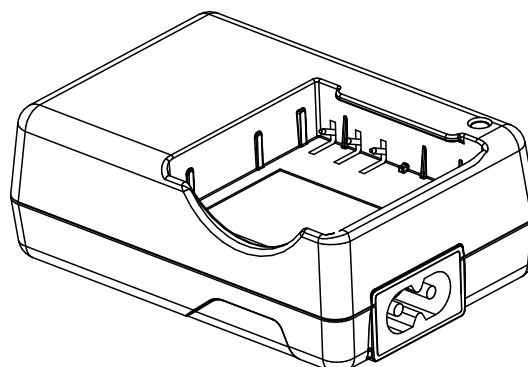
Item	Specifications
Input voltage	AC100~240V
Output capacity	Possible for battery specification
Safety standards	Plug type : Electrical Appliance and Material Safety Law (Japan), UL Inlet type : Conforms to IEC60950
External dimensions	It can be customized according to the battery shape

## DIMENSIONS

DTC-S1 PLUG



DTC-S1 INLET



Reference outline

★It can be customized according to the battery shape.